

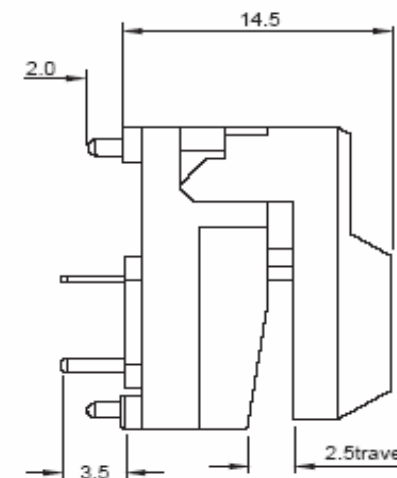
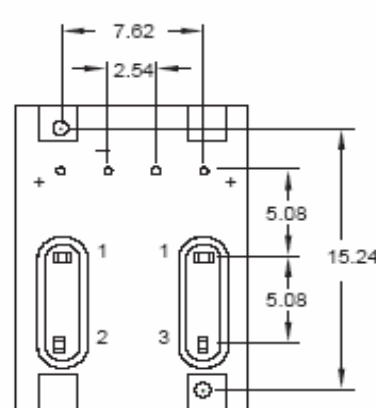
EDCON-COMPONENTS



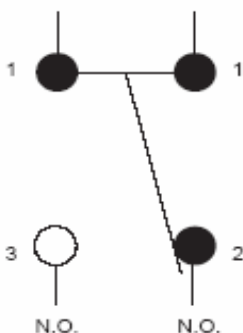
SPECIFICATION:

Circuit:	SPDT
Current Rating:	12mA
Voltage Rating:	24V DC
Test Voltage:	150V
Contact Resistance:	50mΩ Max.
Insulation Resistance:	100MΩ min.
Operating Force:	170gf. ± 50gf.
Total Travel:	2,5mm ± 0,5mm
Operating Life:	500.000 cycles min.
Function:	Momentary
Operating Temperature:	. -10°C ~ +60°C

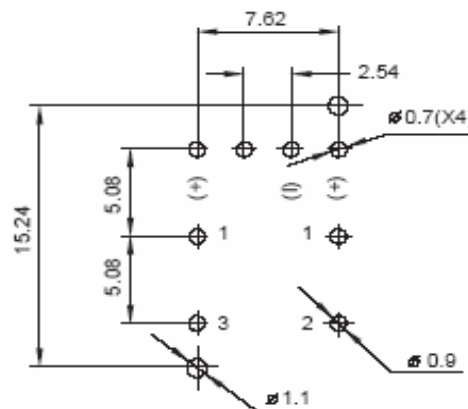
Drawing



Contact Configuration



PCB Layout



**Illuminated Soft Touch
Positive Tactile Switch**

Part No.: **Q11078**

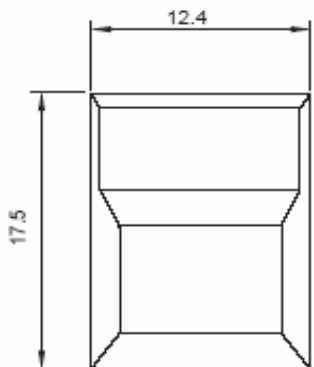
DRW:	Jason	CHKD	Wilson	MATL:	Wilson	TOLERANCE	Mason	DATE	16.09.2011
APPD:	Schumi			FINISH	Jamy		Sheet No.	1 from 4	Customer:

www.edcon-components.com

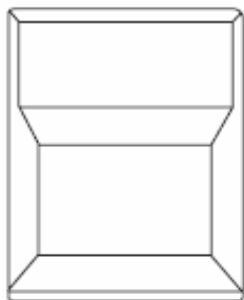
email: info@edcon-components.com



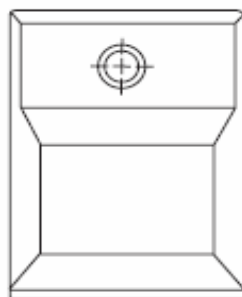
Cap Style and Types



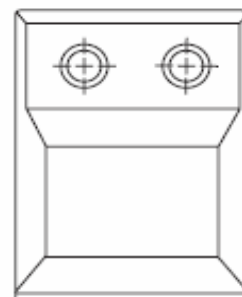
Style A



Type 1

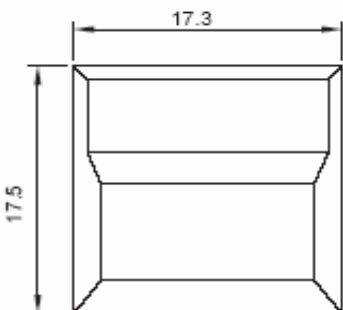


Type 2

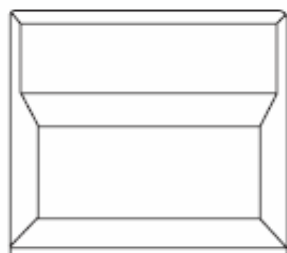


Type 3

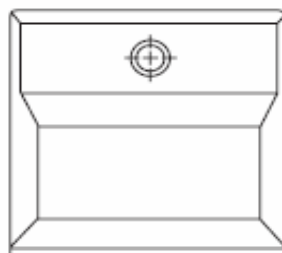
Single LED Terminations Options				
E	°	+	-	°
F	°	-	+	°
Option E Standard				



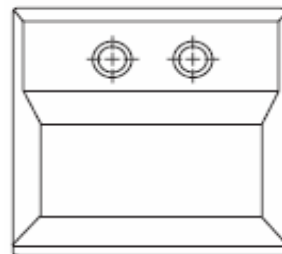
Style B



Type 1



Type 2



Type 3

Dual LED Terminations Options				
A	+	-	-	+
B	-	+	+	-
C	-	+	-	+
D	+	-	+	-
Option A Standard				

Soft Touch Positive Tactile Switch

Part No.: **Q11078**

Customer:

DRW:	Jason	CHKD	Wilson	MATL:	Wilson	TOLERANCE	Mason	DATE	16.09.2011
APPD:	Schumi			FINISH	Jamy		Sheet No.		2 from 4

EDCON-COMPONENTS



Ordering Informations

Serie	Cap Style	Cap Type	Cap Color	Operating Force	One or Left Led Color	Right Led Color	Led termination	ROHS	Packing
Q11078	A	1	BK	171	0	0	0	R	TY

A = Cap Style A	1 = Type 1	BK = Black	171 = 170gr. Operating force	0 = without LED	0 = without LED	0 = without LED	N = non ROHS	TY = Tray Packing
B = Cap Style B	2 = Type 2	WH = White		1 = Red	1 = Red	E = One LED standard Term.	R = ROHS conform	
	3 = Type 3	GY = Gray		2 = Yellow	2 = Yellow	A = Two LED standard Term.		
		YE = Yellow		3 = Green	3 = Green	F = One LED special Term.		
		GN = Green		4 = Blue	4 = Blue	B = Two LED config. B		
		BL = Blue				C = Two LED config. C		
		TR = Transparent				D = Two LED config. D		
		OR = Orange						
		RD = Red						

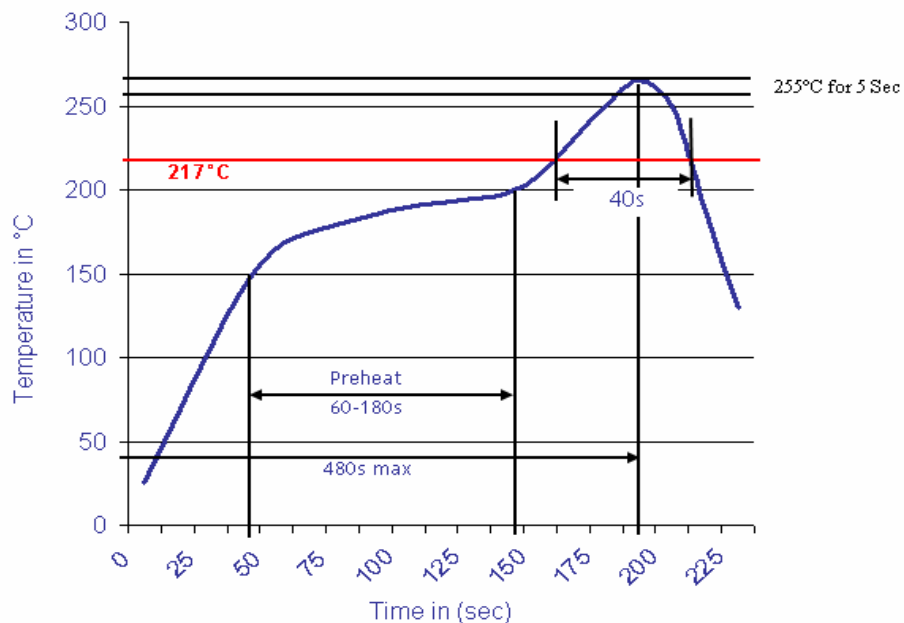
**Illuminated Soft Touch
Positive Tactile Switch**
Part No.: **Q11078**
Customer:

DRW:	Jason	CHKD	Wilson	MATL:	Wilson	TOLERANCE	Mason	DATE	16.09.2011
APPD:	Schumi			FINISH	Jamy		Sheet No.		3 from 4



Soldering Profile for Lead Free Soldering

Classification Reflow Profile (JEDEC J-STD-020C)



**Illuminated Soft Touch
Positive Tactile Switch**

Part No.: **Q11078**

Customer:

DRW:	Jason	CHKD	Wilson	MATL:	Wilson	TOLERANCE	Mason	DATE	16.09.2011
APPD:	Schumi			FINISH	Jamy		Sheet No.	4 from 4	