

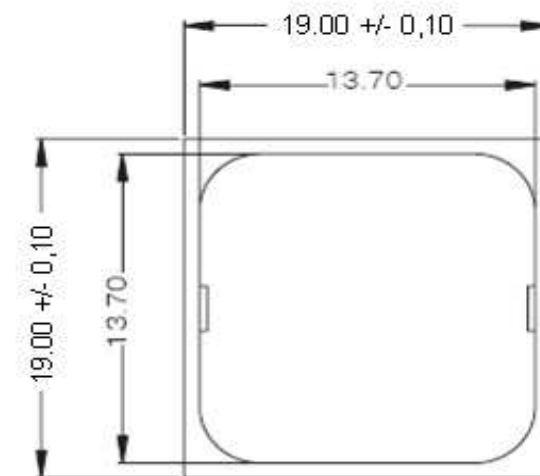
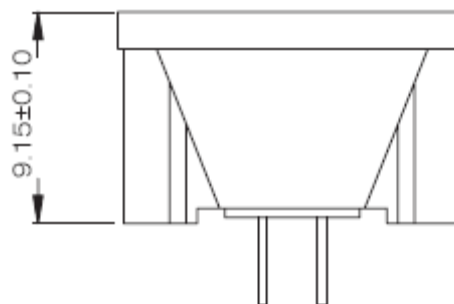
EDCON-COMPONENTS



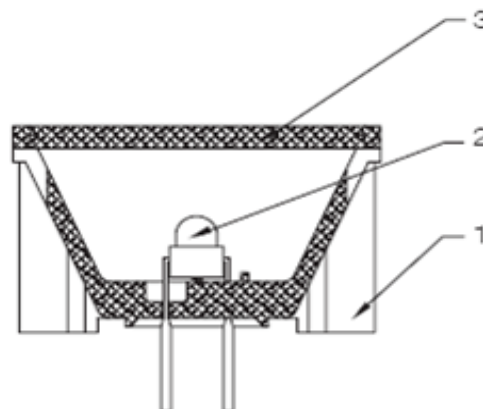
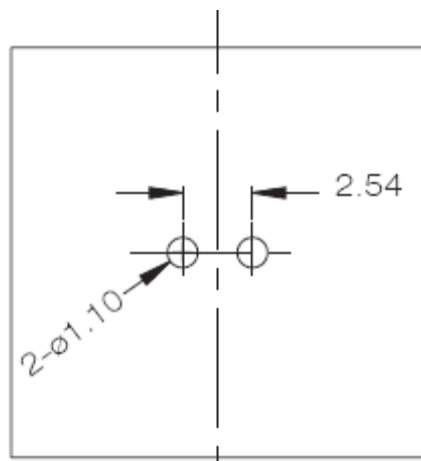
SPECIFICATION:

Voltage Rating:	5VDC
Reverse Current Red	Vr=5V 10µA
Reverse Current Yellow	Vr=5V 10µA
Reverse Current Blue	Vr=5V 10µA
Reverse Current Green	Vr=5V 10µA
Operating Temperature:	-.40°C ~ +85°C
Storage Temperature	-.40°C ~ +85°C

Drawing



P.C.B Layout



**Alternative to RAFI
19x19mm**

Part No.: **Q11071**

DRW:	Jason	CHKD	Wilson	MATL:	Wilson	TOLERANCE	Mason	DATE	04.03.2011
APPD:	Schumi			FINISH	Jamy		Sheet No.	1 from 3	Customer:

EDCON-COMPONENTS



Ordering Informations

Serie	LED 1 Color	Panel Color	No function	No function	ROHS	Packing				
Q11071	W	N	N	N	R	TU				

W = White	W = White	N = No function	N = No function	N = non ROHS	BU = Bulk Ware
R = White	R = White			R = ROHS conform	TU = Tube Packing
Y = White	Y = White				
G = White	G = White				
B = White	B = White				

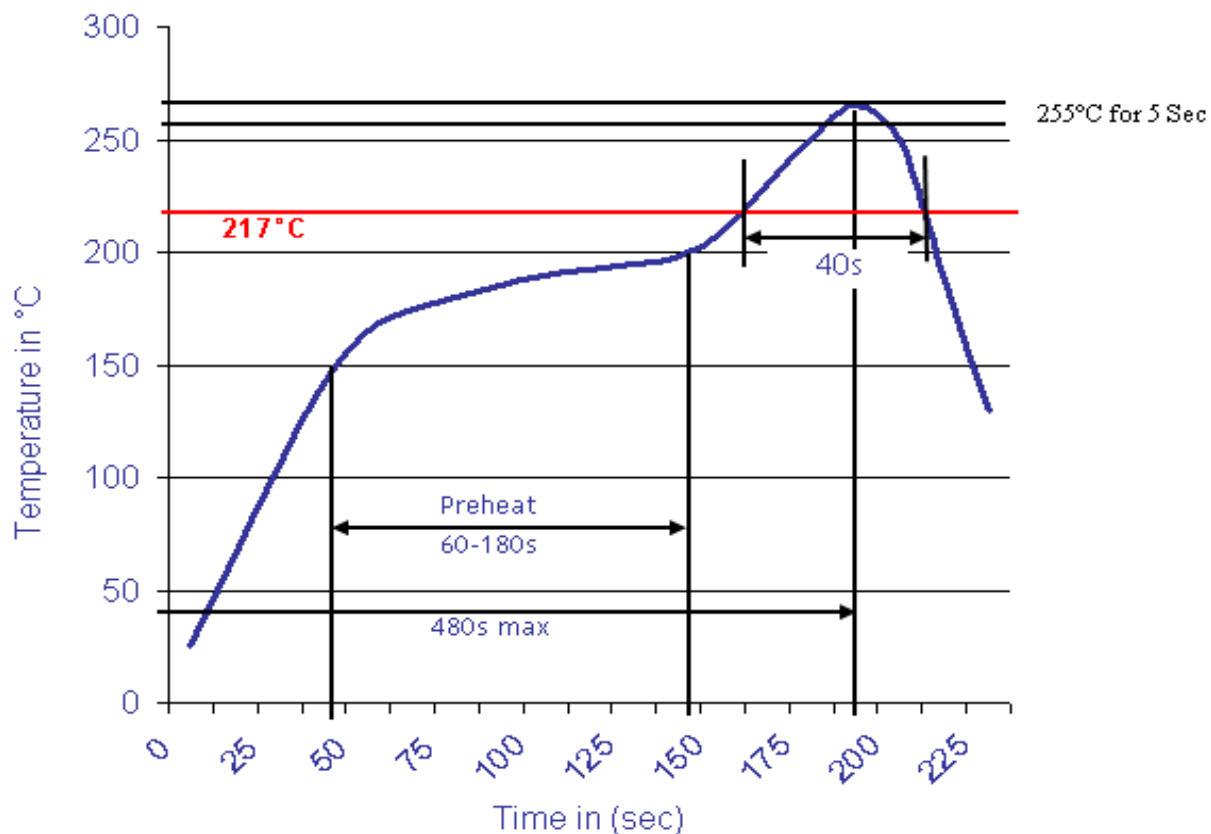
Alternative to RAFI 19x19mm	
Part No.:	Q11071
Customer:	

DRW:	Jason	CHKD	Wilson	MATL:	Wilson	TOLERANCE	Mason	DATE	04.03.2011
APPD:	Schumi			FINISH	Jamy		Sheet No.	2 from 3	



Soldering Profile Curve

Classification Reflow Profile (JEDEC J-STD-020C)



Alternative to RAFI 19x19mm	
Part No.:	Q11071
Customer:	

DRW:	Jason	CHKD	Wilson	MATL:	Wilson	TOLERANCE	Mason	DATE	04.03.2011
APPD:	Schumi			FINISH	Jamy		Sheet No.	3 from 3	