

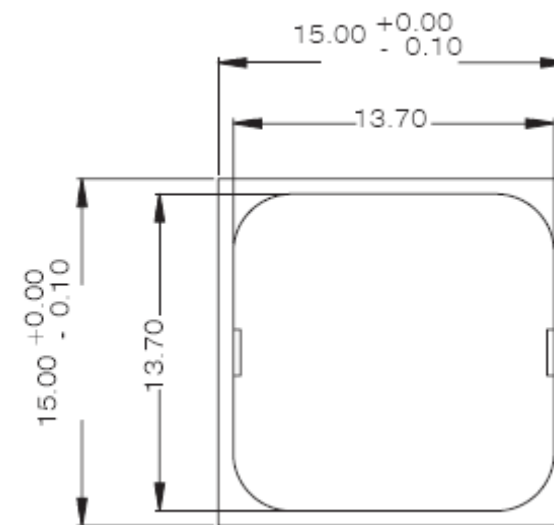
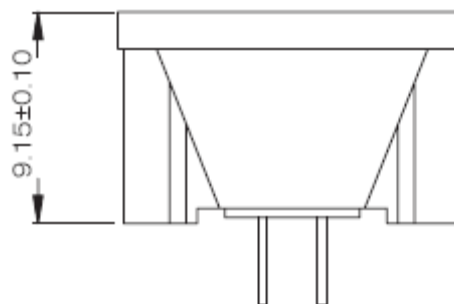
# EDCON-COMPONENTS



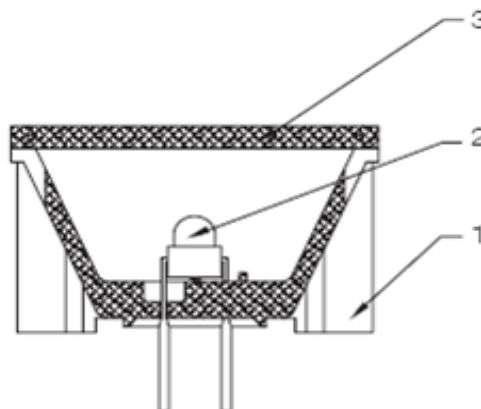
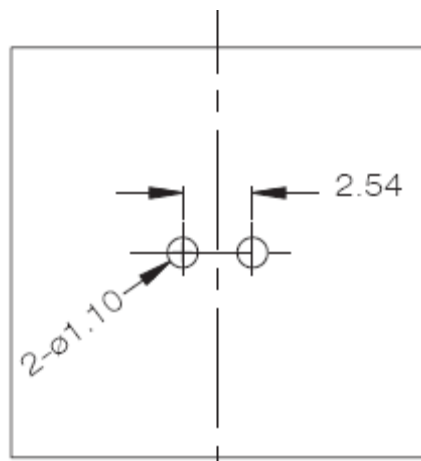
## SPECIFICATION:

Voltage Rating:	5VDC
Reverse Current Red	Vr=5V 10µA
Reverse Current Yellow	Vr=5V 10µA
Reverse Current Blue	Vr=5V 10µA
Reverse Current Green	Vr=5V 10µA
Operating Temperature:	-.40°C ~ +85°C
Storage Temperature	-.40°C ~ +85°C

## Drawing



## P.C.B Layout



**Alternative to RAFI  
15x15mm**

Part No.: **Q11070**

DRW:	Jason	CHKD	Wilson	MATL:	Wilson	TOLERANCE	Mason	DATE	04.03.2011
APPD:	Schumi			FINISH	Jamy		Sheet No.	1 from 3	Customer:

[www.edcon-components.com](http://www.edcon-components.com)

email: [info@edcon-components.com](mailto:info@edcon-components.com)

# EDCON-COMPONENTS



## Ordering Informations

Serie	LED 1 Color	Panel Color	No function	No function	ROHS	Packing				
<b>Q11070</b>	<b>W</b>	<b>N</b>	<b>N</b>	<b>N</b>	<b>R</b>	<b>TU</b>				

<b>W= White</b>	<b>W= White</b>	<b>N= No function</b>	<b>N= No function</b>	<b>N= non ROHS</b>	<b>BU= Bulk Ware</b>
<b>R= White</b>	<b>R= White</b>			<b>R= ROHS conform</b>	<b>TU= Tube Packing</b>
<b>Y= White</b>	<b>Y= White</b>				
<b>G= White</b>	<b>G= White</b>				
<b>B= White</b>	<b>B= White</b>				

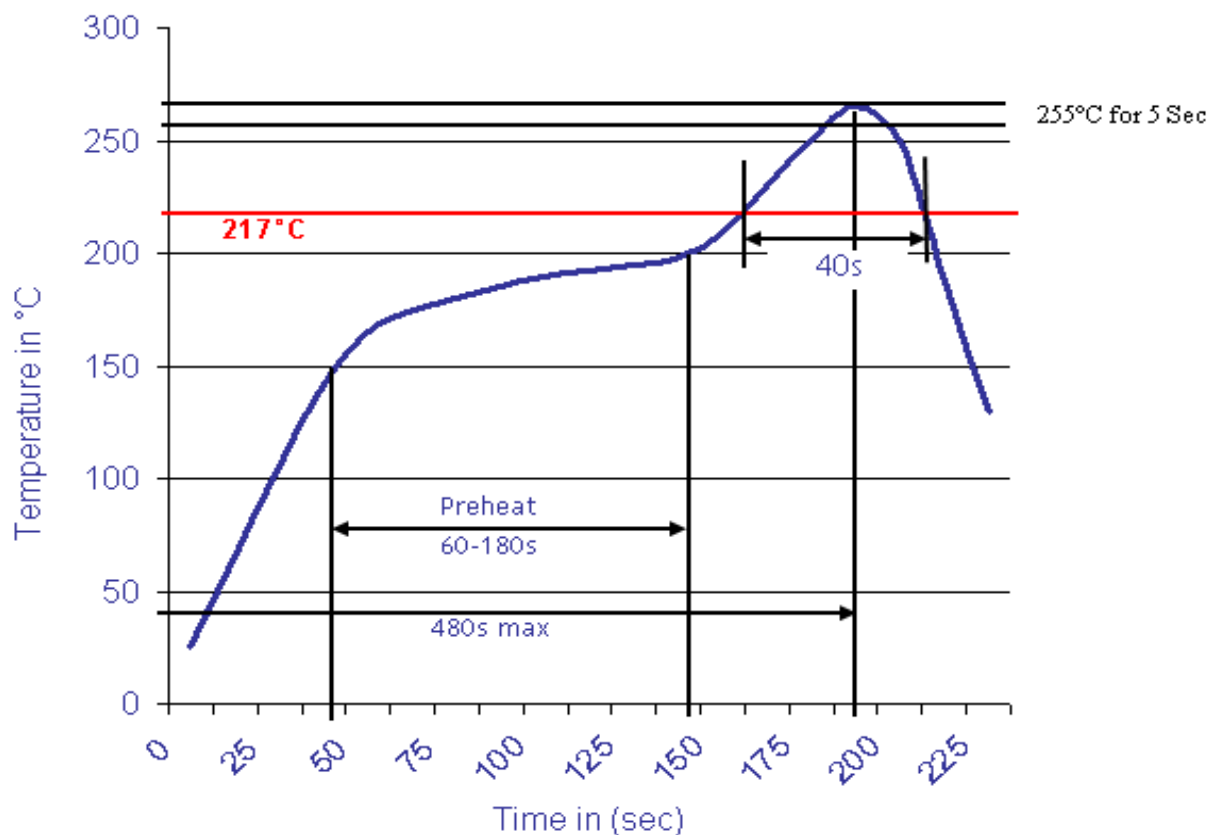
<b>Alternative to RAFI 15x15mm</b>	
Part No.:	<b>Q11070</b>
Customer:	

DRW:	Jason	CHKD	Wilson	MATL:	Wilson	TOLERANCE	Mason	DATE	04.03.2011
APPD:	Schumi			FINISH	Jamy		Sheet No.	2 from 3	



Soldering Profile Curve

Classification Reflow Profile (JEDEC J-STD-020C)



<b>Alternative to RAFI 15x15mm</b>	
Part No.:	<b>Q11070</b>
Customer:	

DRW:	Jason	CHKD	Wilson	MATL:	Wilson	TOLERANCE	Mason	DATE	04.03.2011
APPD:	Schumi			FINISH	Jamy		Sheet No.	3 from 3	