

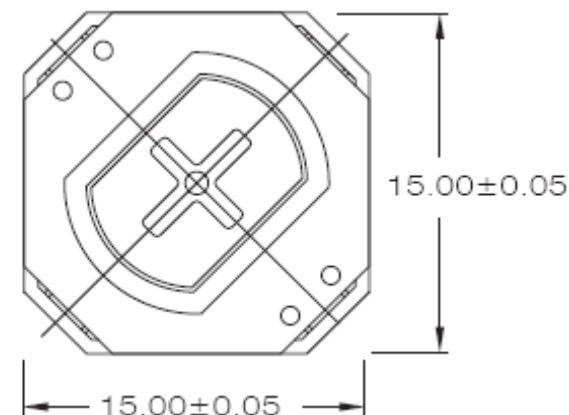
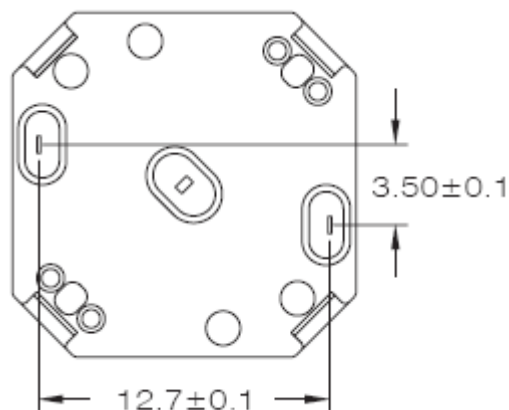
EDCON-COMPONENTS



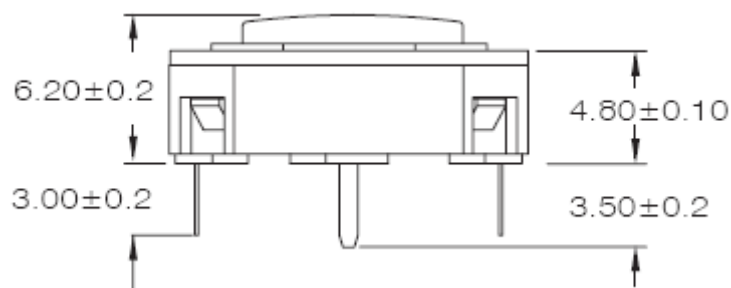
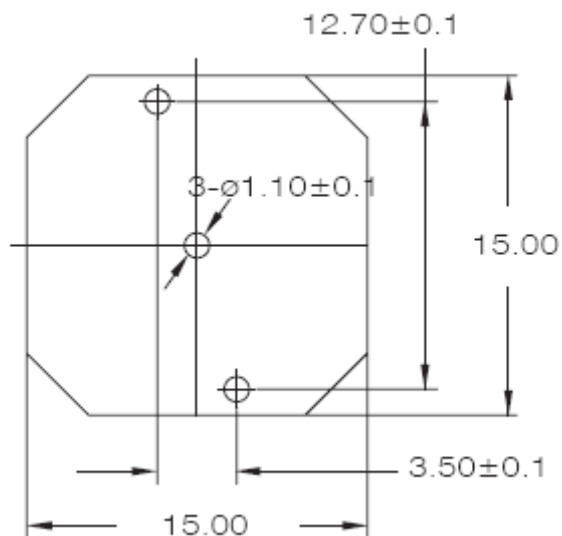
SPECIFICATION:

| | |
|------------------------|-----------------------|
| Voltage Rating: | AC/DC 42V |
| Current Rating: | 100mA |
| Mechanical Life: | 1.000.000 |
| Contact Resistance: | 100m Ω max. (initial) |
| Insulation Resistance: | 1000M Ω min. 100VDC |
| Dielectric Strength: | 2000VAC. |
| Operating Temperature: | .-40°C ~ +80°C |

Drawing



P.C.B Layout



**Alternative to RAFI
15x15mm**

Part No.: **Q11068**

| | | | | | | | | | |
|-------|--------|------|--------|--------|--------|-----------|-----------|----------|------------|
| DRW: | Jason | CHKD | Wilson | MATL: | Wilson | TOLERANCE | Mason | DATE | 04.03.2011 |
| APPD: | Schumi | | | FINISH | Jamy | | Sheet No. | 1 from 4 | Customer: |

EDCON-COMPONENTS



CAP Options / LED Options



Type T1



Type T2



Type T3



w/ or w/o LED

**Alternative to RAFI
15x15mm**

Part No.: **Q11068**

| | | | | | | | | | |
|-------|--------|------|--------|--------|--------|-----------|-----------|----------|------------|
| DRW: | Jason | CHKD | Wilson | MATL: | Wilson | TOLERANCE | Mason | DATE | 04.03.2011 |
| APPD: | Schumi | | | FINISH | Jamy | | Sheet No. | 2 from 4 | Customer: |

www.edcon-components.com

email: info@edcon-components.com

EDCON-COMPONENTS



Ordering Informations

| Serie | Total height w. Body | Operating Force | Contact Material | Electrical life | Cap Option | LED 1 Color | LED 2 Color | ROHS | Packing | |
|---------------|----------------------|-----------------|------------------|-----------------|------------|-------------|-------------|----------|-----------|--|
| Q11068 | 062 | 751 | A | 105 | T1 | N | N | R | TU | |

| | | | | | | | | |
|--------------------|--------------------|--------------------------|-----------------------------|--------------------|------------------------|------------------------|-------------------------|--------------------------|
| 062 = 6,2mm | 751 = 750gr | A = Gold plated | 105 = 1000000 Cycles | T1 = Type 1 | N = without LED | N = without LED | N = non ROHS | BU = Bulk Ware |
| | | S = Silver plated | | T2 = Type 2 | W = White | W = White | R = ROHS conform | TU = Tube Packing |
| | | | | T3 = Type 3 | R = White | R = White | | |
| | | | | | Y = White | Y = White | | |
| | | | | | G = White | G = White | | |
| | | | | | B = White | B = White | | |

**Alternative to RAFI
15x15mm**

Part No.: **Q11068**

| | | | | | | | | | |
|-------|--------|------|--------|--------|--------|-----------|-----------|----------|------------|
| DRW: | Jason | CHKD | Wilson | MATL: | Wilson | TOLERANCE | Mason | DATE | 04.03.2011 |
| APPD: | Schumi | | | FINISH | Jamy | | Sheet No. | 3 from 4 | Customer: |

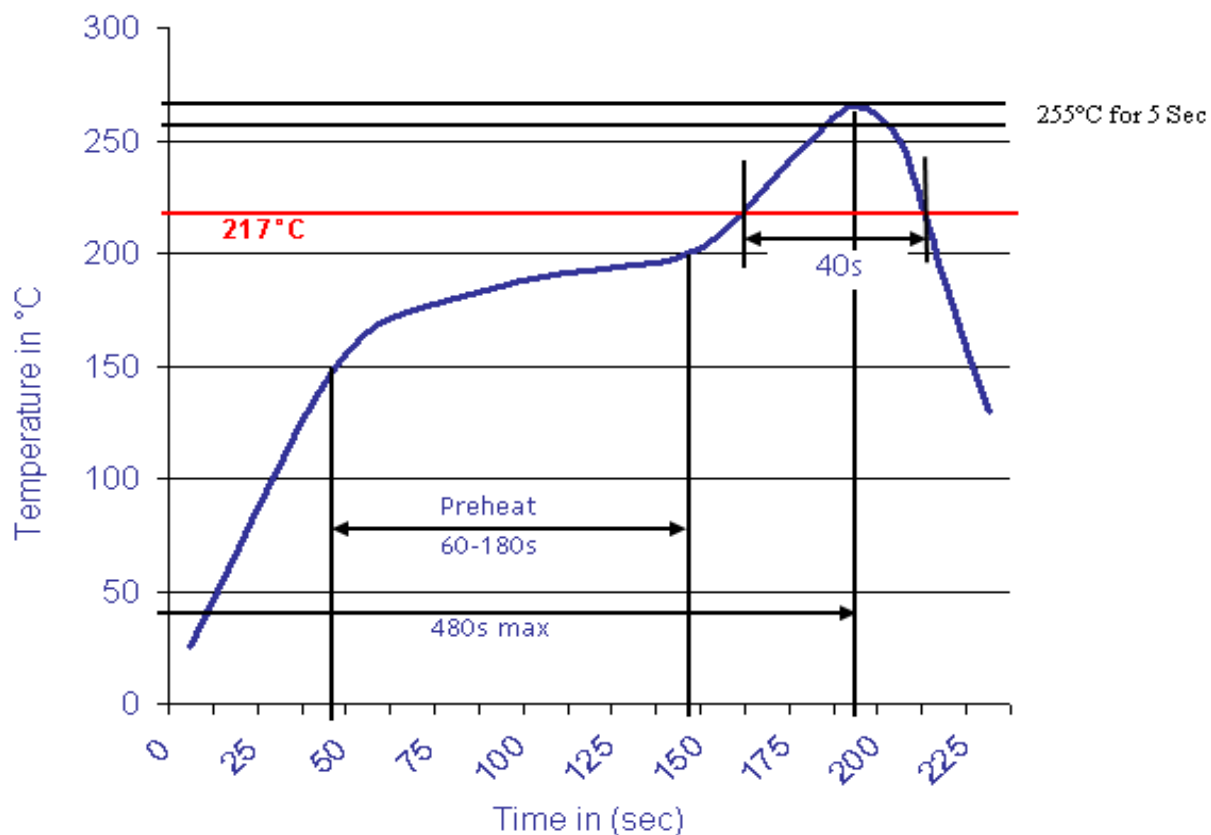
www.edcon-components.com

email: info@edcon-components.com



Soldering Profile Curve

Classification Reflow Profile (JEDEC J-STD-020C)



| | |
|--|---------------|
| Alternative to RAFI 15x15mm | |
| Part No.: | Q11068 |
| Customer: | |

| | | | | | | | | | |
|-------|--------|------|--------|--------|--------|-----------|-----------|----------|------------|
| DRW: | Jason | CHKD | Wilson | MATL: | Wilson | TOLERANCE | Mason | DATE | 04.03.2011 |
| APPD: | Schumi | | | FINISH | Jamy | | Sheet No. | 4 from 4 | |