

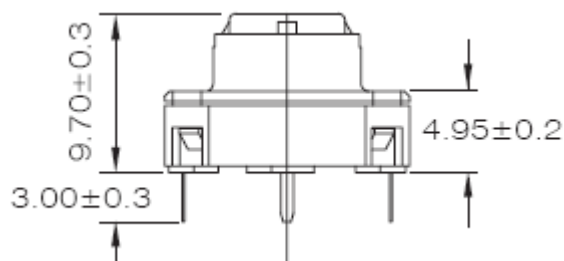
EDCON-COMPONENTS



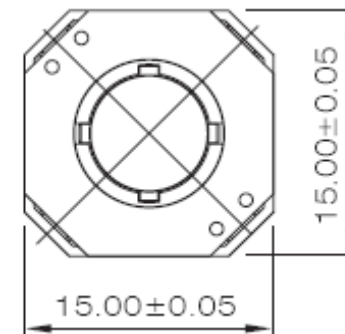
SPECIFICATION:

Voltage Rating:	AC/DC 42V
Current Rating:	100mA
Mechanical Life:	1.000.000
Contact Resistance:	100m Ω max. (initial)
Insulation Resistance:	1000M Ω min. 100VDC
Dielectric Strength:	1500VAC.
Operating Temperature:	-.25°C ~ +75°C

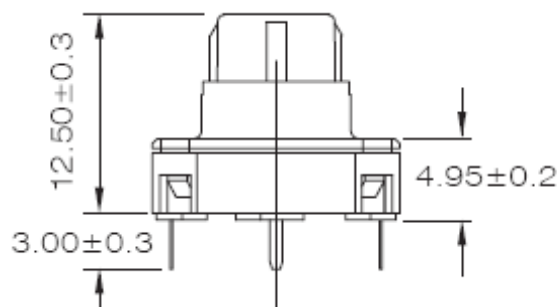
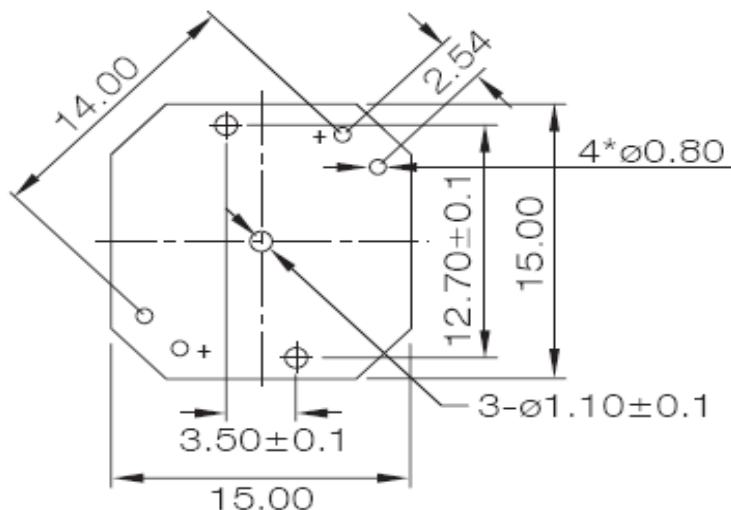
Drawing



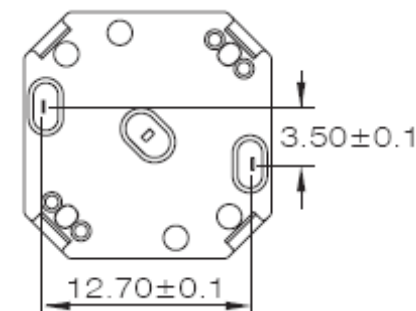
Height Type 1



P.C.B Layout



Height Type 2



**Alternative to RAFI
15x15mm**

Part No.: **Q11065**

Customer:

DRW:	Jason	CHKD	Wilson	MATL:	Wilson	TOLERANCE	Mason	DATE	04.03.2011
APPD:	Schumi			FINISH	Jamy		Sheet No.	1 from 3	

EDCON-COMPONENTS



Ordering Informations

Serie	Total Height	Operating Force	No function	Electrical life	No function	LED 1 Color	LED 2 Color	ROHS	Packing	
Q11065	097	251	N	105	N	N	N	R	TU	

097 = 9,7mm	251 = 250gr	N = No function	105 = 1000000 Cycles	N = No function	N = without LED	N = without LED	N = non ROHS	BU = Bulk Ware
125 = 12,5mm					W = White	W = White	R = ROHS conform	TU = Tube Packing
					R = White	R = White		
					Y = White	Y = White		
					G = White	G = White		
					B = White	B = White		

**Alternative to RAFI
15x15mm**

Part No.: **Q11065**

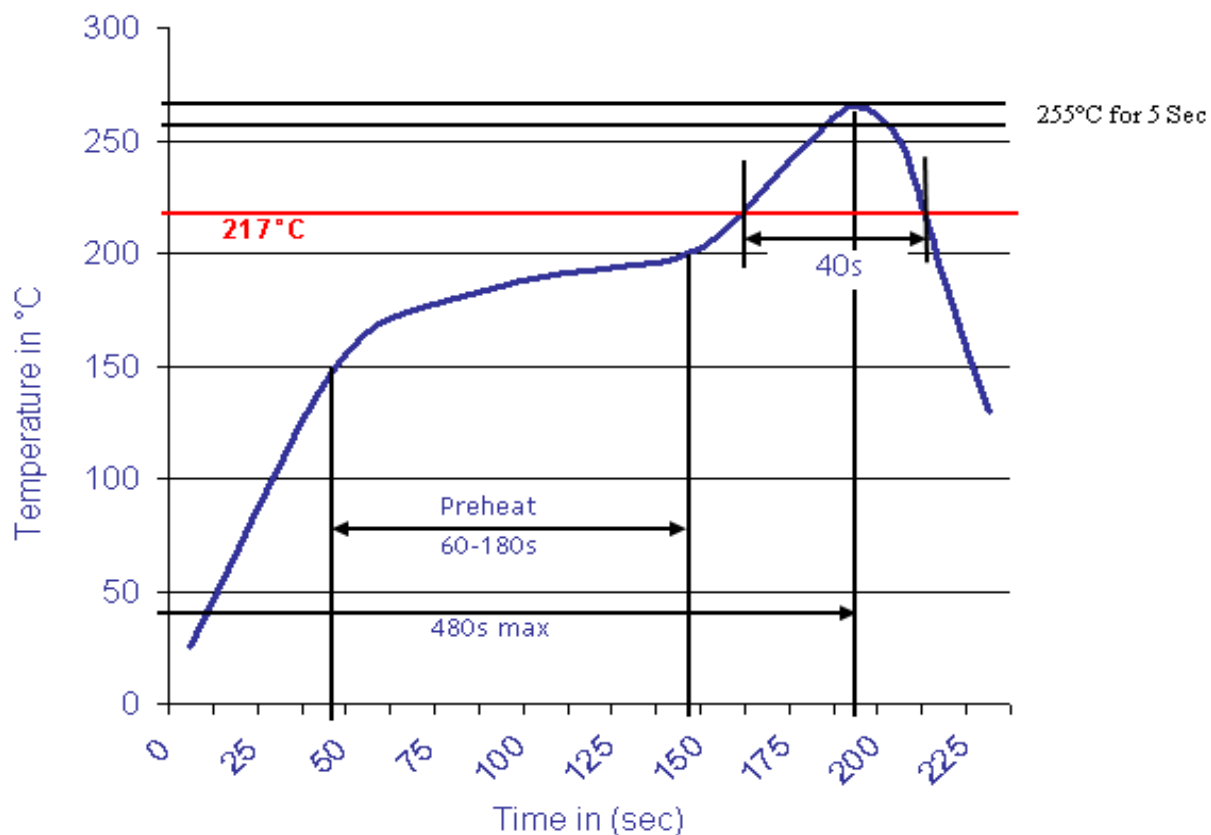
DRW:	Jason	CHKD	Wilson	MATL:	Wilson	TOLERANCE	Mason	DATE	04.03.2011
APPD:	Schumi			FINISH	Jamy		Sheet No.		2 from 3

Customer:



Soldering Profile Curve

Classification Reflow Profile (JEDEC J-STD-020C)



Alternative to RAFI 15x15mm	
Part No.:	Q11065
Customer:	

DRW:	Jason	CHKD	Wilson	MATL:	Wilson	TOLERANCE	Mason	DATE	04.03.2011
APPD:	Schumi			FINISH	Jamy		Sheet No.	3 from 3	