



Technical Informations

Electrical Specifications Low Temperatur V.

Contact Resistance:	<30m Ohm - typ.10m Ohm
Insulation Resistance	> 10M Ohm
Recommend Load: Silver	0,5-50mA 24VDC
Recommend Load: Gold	0,5µ-50mA 24VDC
Contact Bounce:	<2mS - typically 0,5mS

Temperature Range

Working Temperature:	Min. -40°C / Max. + 115°C
Storage Temperature:	Min. -40°C / Max. + 115°C
Soldering Temperature:	Wave max. 260°C for 10sec. Soldering iron max. 350°C for max. 3 Sec. Flux tight
Temperature:	. +40°C
Humidity:	93% RH
Duration:	56 Days

Temperature Cycling

Temperatur Range	.- 55°C ~ +85°C
Number of cycles:	200
Exposure time at each temp	10 Min.
Recovery time:	16 Hrs
Sealing IEC 529	IP-67
Cleaning:	Standard Methods

Material Specifications Switch

Housing	PBT UL94V-0
Actuator:	PBT UL94V-0
Sealing + spring	Silicone Rubber
Contact spring:	Stainless Steel + 3Ag
Rixed Contacts:	SnCu + 2µNI + 3µAg
Terminals:	SnCu + 2µNI + 3µSn100

Mechanical Specifications

Standard actuation force:	3,0N typ.
Max. actuation force:	100N for 10sec.
Travel:	1mm
Lifetime:	>10.000.000 cycles
Contact form:	Single Pol
Operating:	(Momentary)

TACT SWITCH

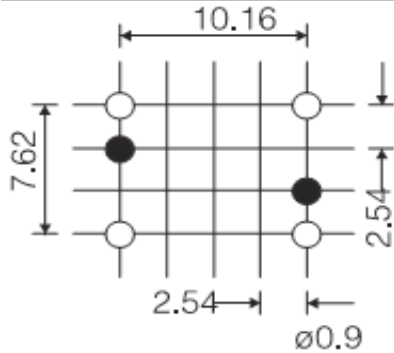
Part No.: **Q11006**

Customer:

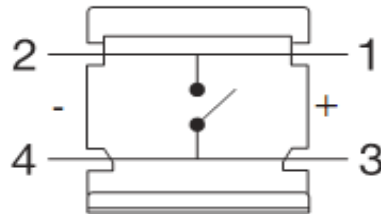
DRW:	Jason	CHKD	Moon	MATL:	Wim	DATE	02.03.2009
APPD:	Joe			FINISH	Sarah	Sheet	1 from 3



TOP VIEW

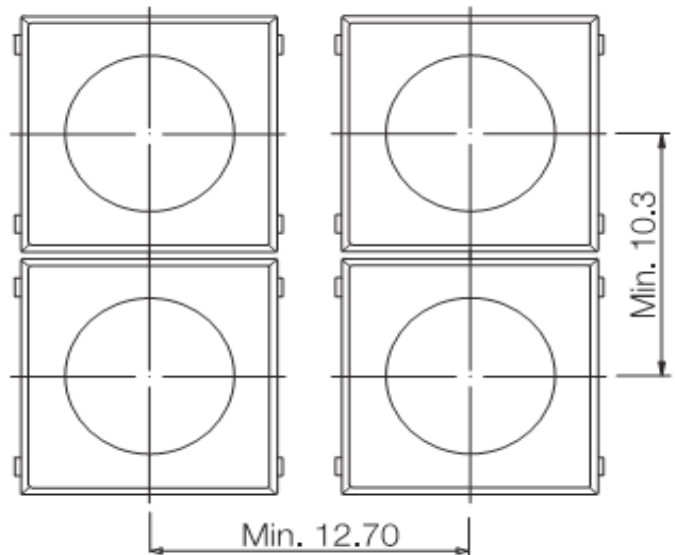


Circuit Diagramm

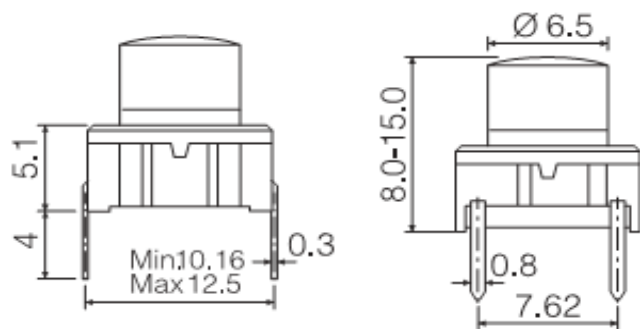


Black Points are optional with LED

Switch Spacing



Dimensions Cap Type E



Ordering Information

Serie	Cap Type	LED	Cap Height	Cap Color	ROHS	Packing
Q11006	E	N	08	TR	R	BU

N= without LED	08= 8mm Height	BK= Black	R= ROHS Conform	BU= Bulk Ware
R= Red	other heights on request	BL= Blue	N= NON ROHS Conform	TU= TUBE PACKING
G= Green		RD= Red		
Y= Yellow		YE= Yellow		
B= Blue		TR= Transparent		
		WH= White		

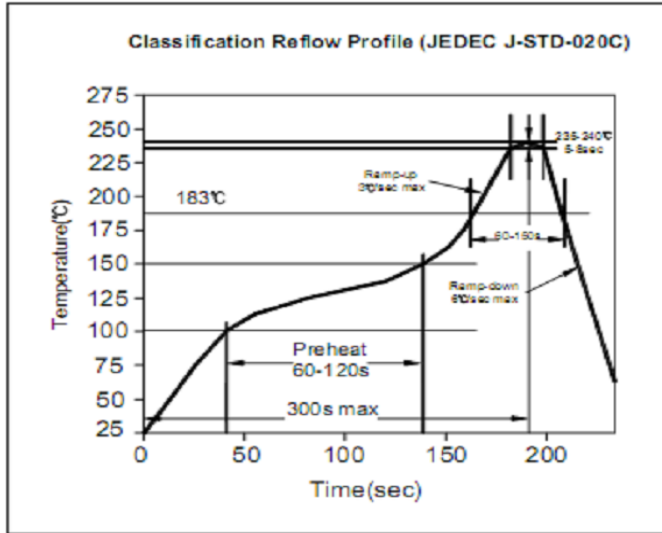
TACT SWITCH	
Part No.:	Q11006
Customer:	

DRW:	Jason	CHKD	Jules	MATL:	Wu	DATE	02.03.2009
APPD:	Join			FINISH	Shieh	Sheet	2 from 3

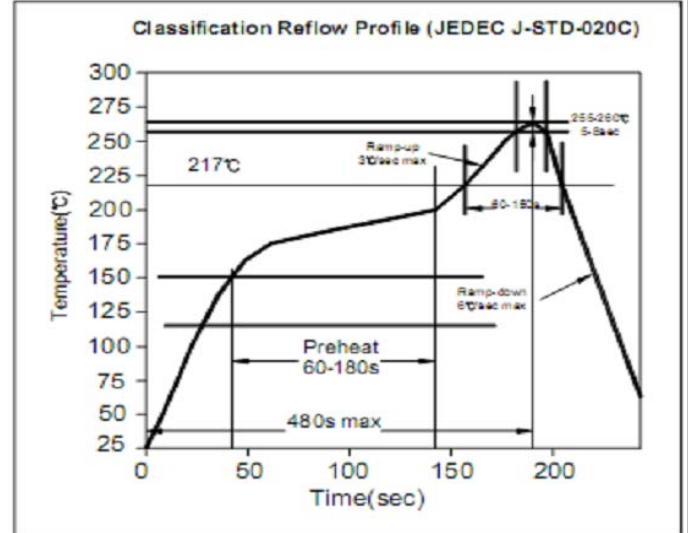


SOLDERING PROFILE

Soldering Profile for Lead Soldering



Soldering Profile for Lead Free Soldering



TACT SWITCH	
Part No.:	Q11006
Customer:	

DRW:	Jason	CHKD	Jules	MATL:	Wu	DATE	02.03.2009
APPD:	Join			FINISH	Shieh	Sheet	3 from 3