

Technical Informations

Electrical Specifications Low Temperatur V.

Contact Resistance: <30m Ohm - typ.10m Ohm
 Insulation Resistance > 10M Ohm
 Recommend Load: Silver 0,5-50mA 24VDC
 Recommend Load: Gold 0,5µ-50mA 24VDC
 Contact Bounce: <2mS - typically 0,5mS

Temperature Range

Working Temperature: Min. -40°C / Max. + 115°C
 Storage Temperature: Min. -40°C / Max. + 115°C
 Soldering Temperature: Wave max. 260°C for 10sec.
 Soldering iron max. 350°C for max. 3 Sec.
 Flux tight
 Temperature: . +40°C
 Humidity: 93% RH
 Duration: 56 Days

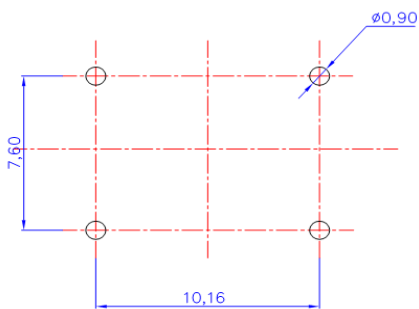
Temperature Cycling

Temperatur Range .- 55°C ~ +85°C
 Number of cycles: 200
 Exposure time at each temp 10 Min.
 Recovery time: 16 Hrs
 Sealing IEC 529 IP-67
 Cleaning: Standard Methods

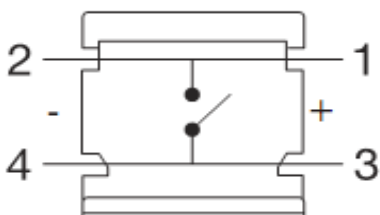
Material Specifications Switch

Housing PBT UL94V-0
 Actuator: PBT UL94V-0
 Sealing + spring Silicone Rubber
 Contact spring: Stainless Steel + 3Ag
 Rixed Contacts: SnCu + 2µNI + 3µAg
 Terminals: SnCu + 2µNI + 3µSn100

PCB TOP VIEW



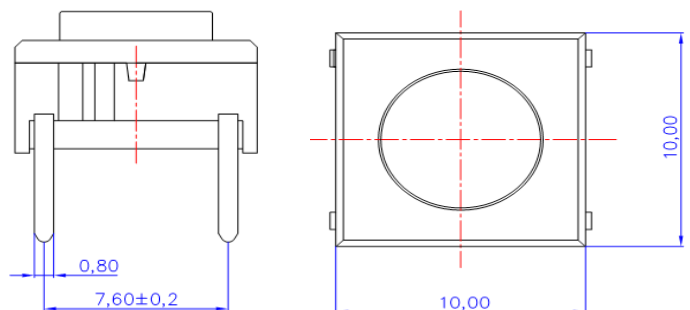
Circuit Diagramm



Mechanical Specifications

Standard actuation force: 3,0N typ.
 Max. actuation force: 100N for 10sec.
 Travel: 1mm
 Lifetime: >10.000.000 cycles
 Contact form: Single Pol
 Operating: (Momentary)

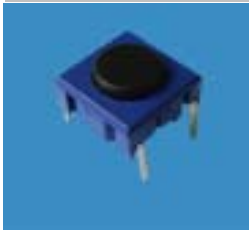
Dimension



TACT SWITCH

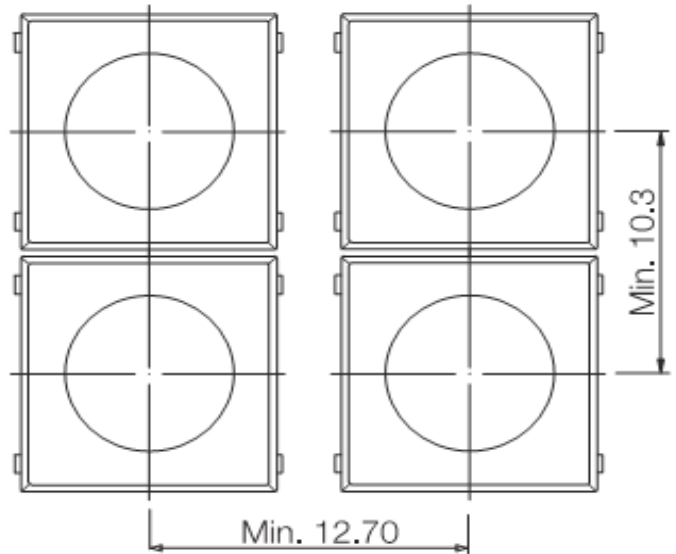
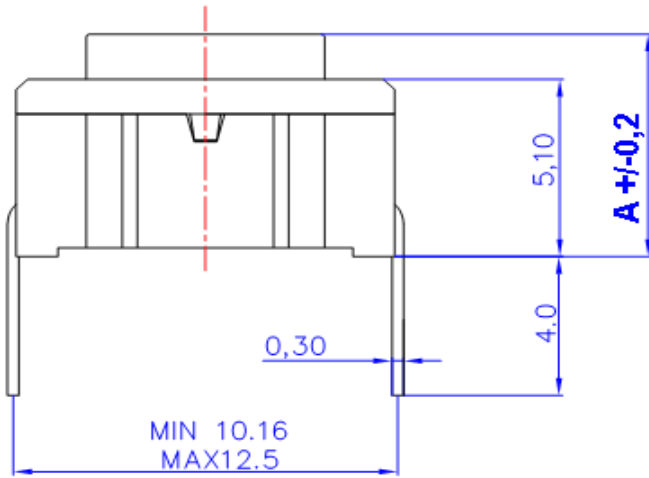
Part No.: **Q11005**
 Customer:

DRW:	Jason	CHKD	Moon	MATL:	Wim	DATE	02.03.2009
APPD:	Joe			FINISH	Sarah	Sheet	1 from 3



Dimensions without Cap

Switch Spacing

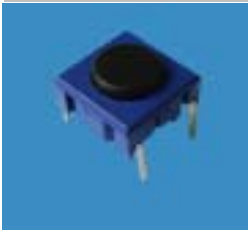


Ordering Information

Serie	Cap Type	LED	Knob Height	Cap Color	ROHS	Packing
Q11005	N	N	A1	NO	R	BU
N= without CAP	N= without LED	A1= 6,40mm	NO= No function	R= ROHS Conform	BU= Bulk Ware	
		A2= 8,00mm		N= NON ROHS Conform	TU= TUBE PACKING	
		A3= 9,50mm				
		A4= 10,4mm				
		A5= 11,0mm				
		A6= 12,0mm				
		A7= 15,0mm				

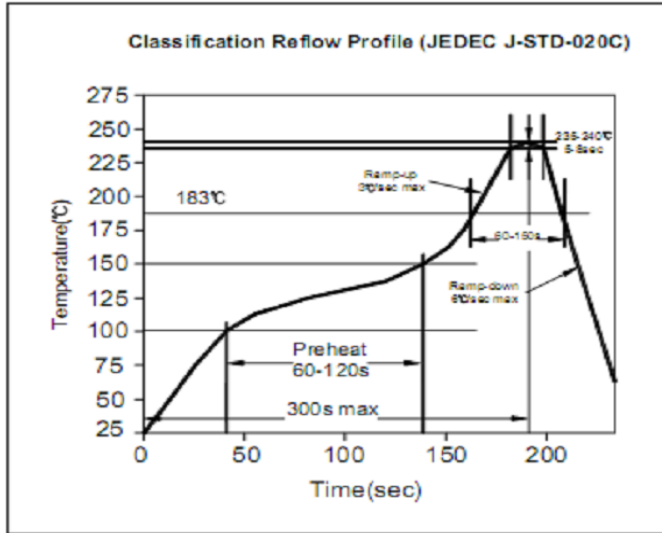
TACT SWITCH	
Part No.:	Q11005
Customer:	

DRW:	Jason	CHKD	Jules	MATL:	Wu	DATE	23.04.2017
APPD:	Join			FINISH	Shieh	Sheet	2 from 3

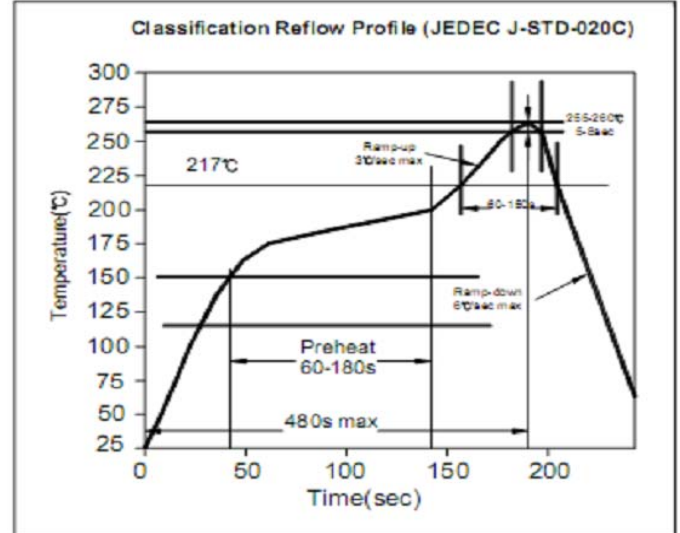


SOLDERING PROFILE

Soldering Profile for Lead Soldering



Soldering Profile for Lead Free Soldering



TACT SWITCH	
Part No.:	Q11005
Customer:	

DRW:	Jason	CHKD	Jules	MATL:	Wu	DATE	23.04.2017
APPD:	Join			FINISH	Shieh	Sheet	3 from 3