

EDCON-COMPONENTS



Technical Discription

High and stable operating voltage
 Low self-discharge rate (less than 1% after 1 year storage at 25°C)
 Operating Temperature (-55°C ~ + 85°C)
 Hermetecally glass-to-metal-sealing
 Stainless steel container
 Non-flammable electrolyte
 Spiral type
 UL (MH46528), CE, SGS recognized
 ISO9001:2008 approved
 AIG Insurance

Characteristics

Nominal capacity (1mA - 2.0V): 3600mAh
 Nominal Voltage: 3,6V
 Max. constant current: 400mA
 Max. pulse current: 800mA
 Weight: 30gr.
 Volume: Ø 17,5x50,5mm
 Workable temperature: . -55°C ~ + 85°C

Warning Informations

Fire, explosion and sever burn hazard
 Do not recharge, crush, disassemble, heat above 212°F (100°C), incinerate, short circuit of expose contents to water.
 Do not reverse the positive and negative pole of battery while using it.
 Do not solder directly on the battery.
 Dispose of used batterries prombtly

Applications

Utility meters (electricity meters, water meters, gas meters, AMR)
 Security systems (door lockers, smoke alrams sensors, detectors)
 CMOS memory and RTC backup
 Vehicle tracking
 Industrial clocks
 Sea buoys , remote monitoring systems
 Military electronics

**Lithium Thionyl Chloride Battery
 Type ER17505M**

Part No.: **B16015**

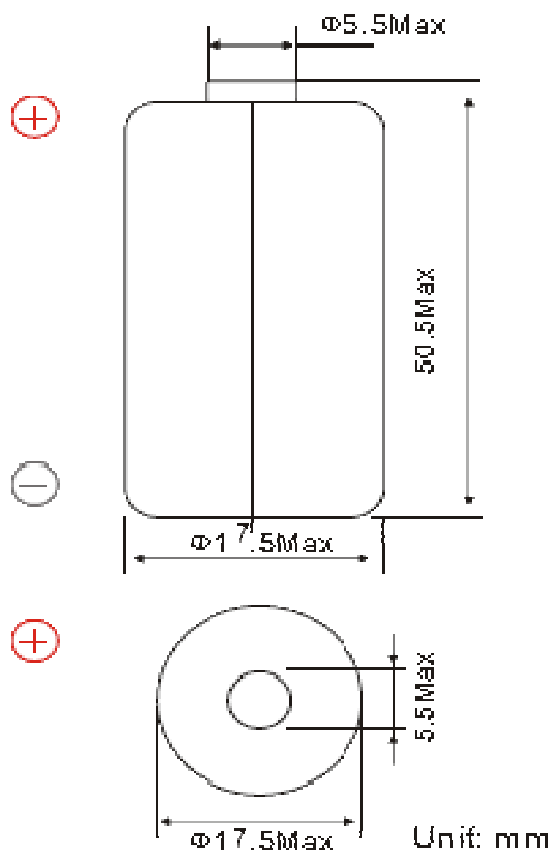
Customer:

DRW:	Jason	CHKD	Wilson	MATL:	Wilson	TOLERANCE	Mason	DATE	24.02.2017
APPD:	Schumi			FINISH	Jamy		Sheet No.		1 from 4

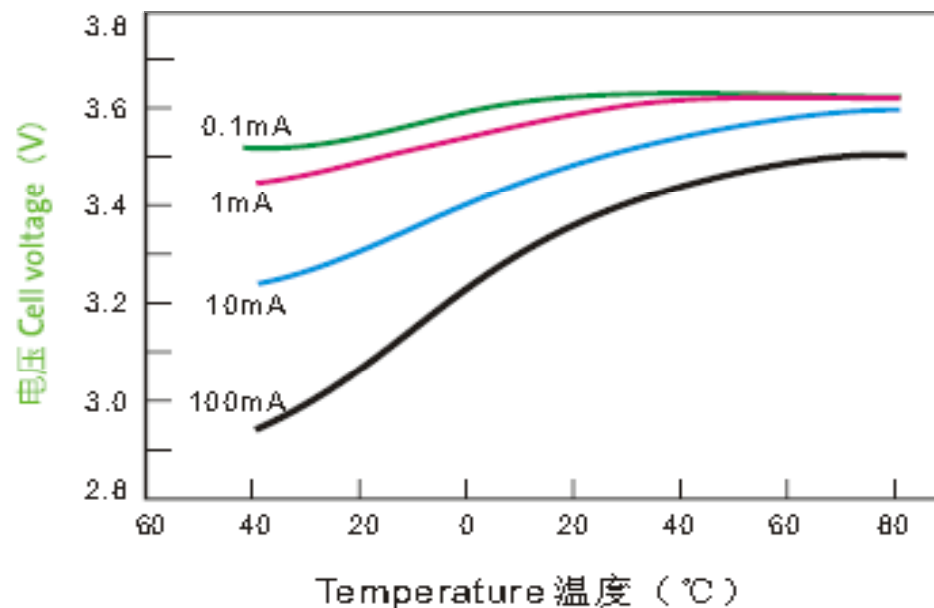
EDCON-COMPONENTS



Dimensions (mm)



Voltage vs temperature curve



Lithium Thionyl Chloride Battery
Type ER17505M

Part No.: **B16015**

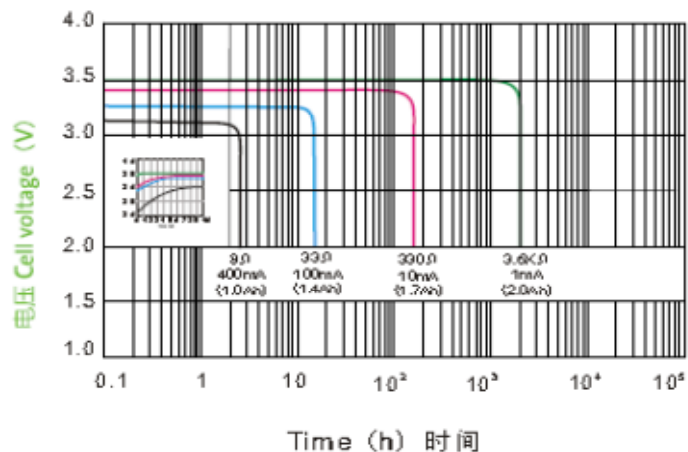
Customer:

DRW:	Jason	CHKD	Wilson	MATL:	Wilson	TOLERANCE	Mason	DATE	24.02.2017
APPD:	Schumi			FINISH	Jamy		Sheet No.	2 from 4	

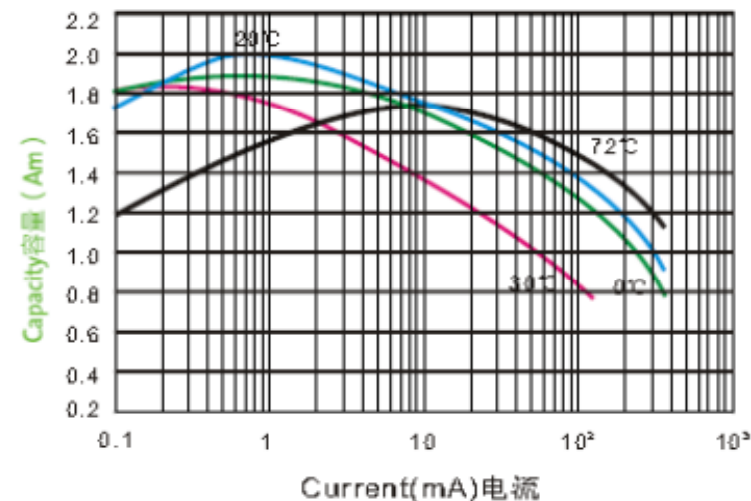
EDCON-COMPONENTS



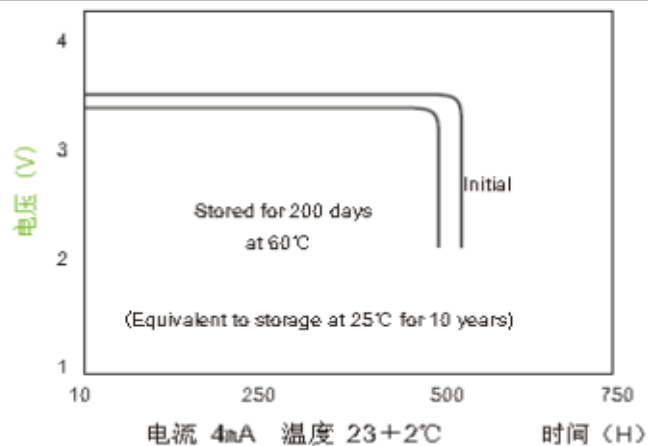
Discharge Characteristics (25°C)



Capacity vs current



Storage characteristics



**Lithium Thionyl Chloride Battery
Type ER17505M**

Part No.: **B16015**

DRW:	Jason	CHKD	Wilson	MATL:	Wilson	TOLERANCE	Mason	DATE	24.02.2017
APPD:	Schumi			FINISH	Jamy		Sheet No.		3 from 4

Customer:

EDCON-COMPONENTS



Ordering Informations

Serie	Type of Batery	Termination Option	ROHS	Packing	Customer No.	-	Customer type
B16015	ER17505M	A	R	T			

A = Axial Led Wire	R = ROHS Conform	T = Tray	When our customer need special item	Sequential number from our customer
P1 = Radial Pin both side one round pin	N = NON ROHS Conform	I = individual		
P2 = Radial Pin both side one flat pin				
P3 = Radial Pin one side two pin other side one pin				

Lithium Thionyl Chloride Battery Type ER17505M	
Part No.:	B16015
Customer:	

DRW:	Jason	CHKD	Wilson	MATL:	Wilson	TOLERANCE	Mason	DATE	24.02.2017
APPD:	Schumi			FINISH	Jamy		Sheet No.		4 from 4