

EDCON-COMPONENTS



Technical Discription

High and stable operating voltage
 Low self-discharge rate (less than 1% after 1 year storage at 25°C)
 Operating Temperature (-55°C ~ + 85°C)
 Hermetecally glass-to-metal-sealing
 Stainless steel container
 Non-flammable electrolyte
 Spiral type
 UL (MH46528), CE, SGS recognized
 ISO9001:2008 approved
 AIG Insurance

Characteristics

Nominal capacity (10mA - 2.0V): 14500mAh
 Nominal Voltage: 3,6V
 Max. constant current: 2000mA
 Max. pulse current: 3000mA
 Weight: 107gr.
 Volume: Ø 34,0x61,5mm
 Workable temperature: . -55°C ~ + 85°C

Warning Informations

Fire, explosion and sever burn hazard
 Do not recharge, crush, disassemble, heat above 212°F (100°C), incinerate, short circuit of expose contents to water.
 Do not reverse the positive and negative pole of battery while using it.
 Do not solder directly on the battery.
 Dispose of used batteries prombtly

Applications

Utility meters (electricity meters, water meters, gas meters, AMR)
 Security systems (door lockers, smoke alrams sensors, detectors)
 CMOS memory and RTC backup
 Vehicle tracking
 Industrial clocks
 Sea buoys , remote monitoring systems
 Military electronics

**Lithium Thionyl Chloride Battery
 Type ER34615M**

Part No.: **B16012**

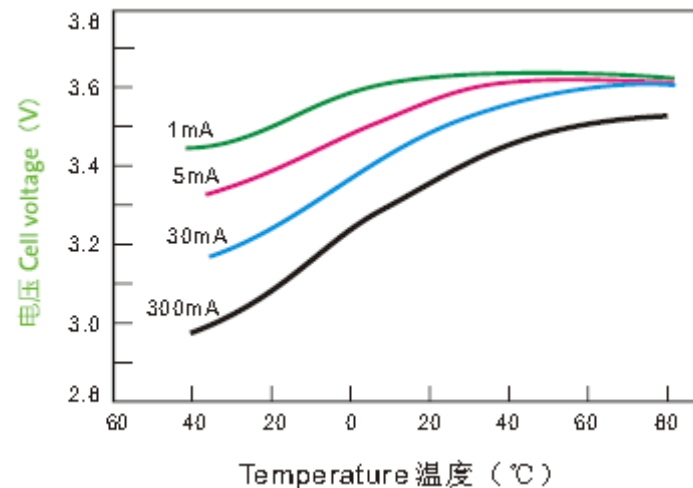
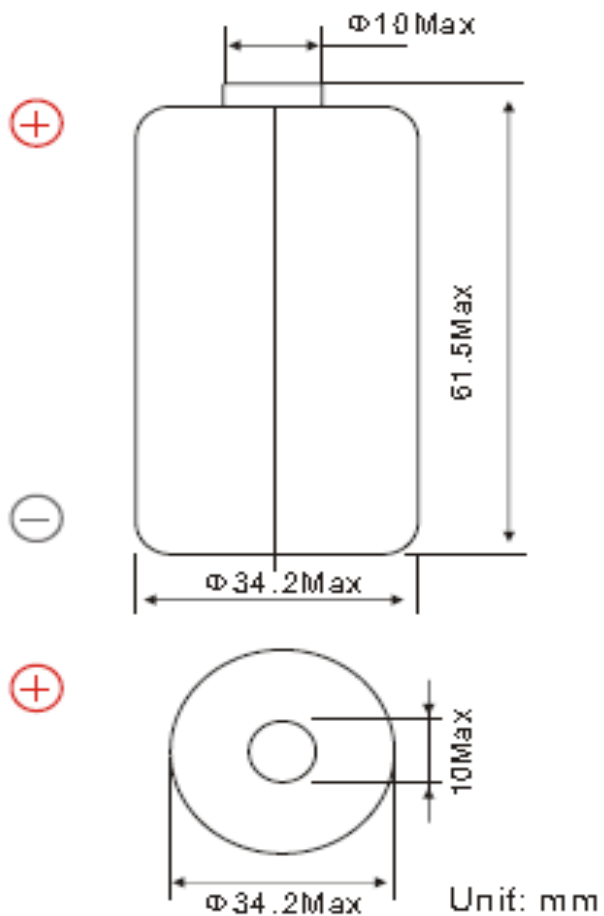
Customer:

DRW:	Jason	CHKD	Wilson	MATL:	Wilson	TOLERANCE	Mason	DATE	04.08.2010
APPD:	Schumi			FINISH	Jamy		Sheet No.	1 from 4	



Dimensions (mm)

Voltage vs temperature curve



Lithium Thionyl Chloride Battery
Type ER34615M

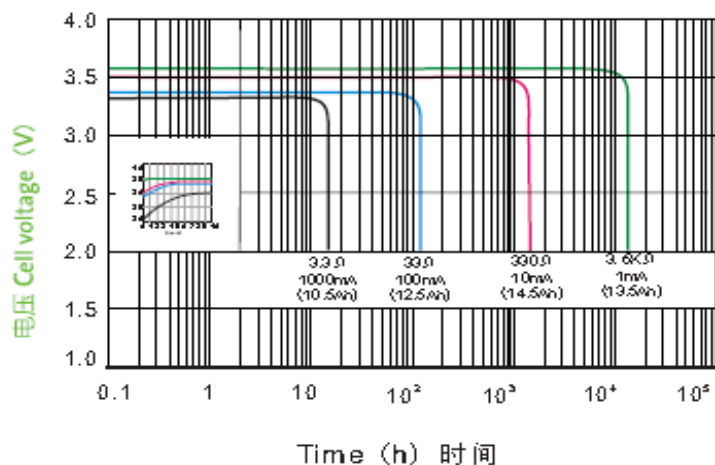
Part No.: **B16012**

Customer:

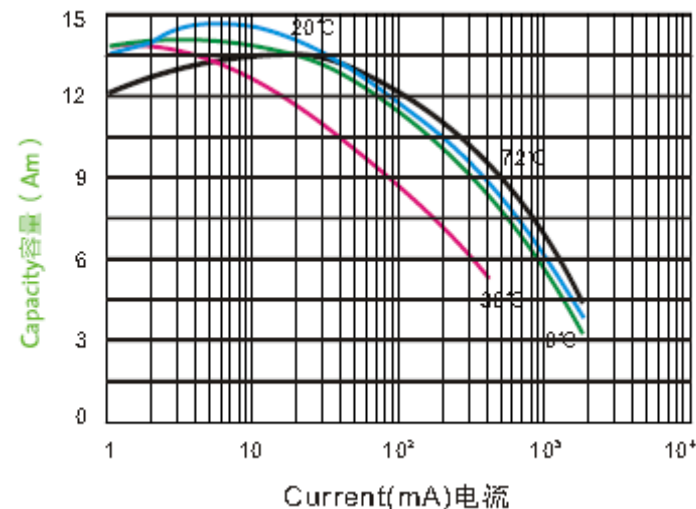
DRW:	Jason	CHKD	Wilson	MATL:	Wilson	TOLERANCE	Mason	DATE	04.08.2010
APPD:	Schumi			FINISH	Jamy		Sheet No.	2 from 4	



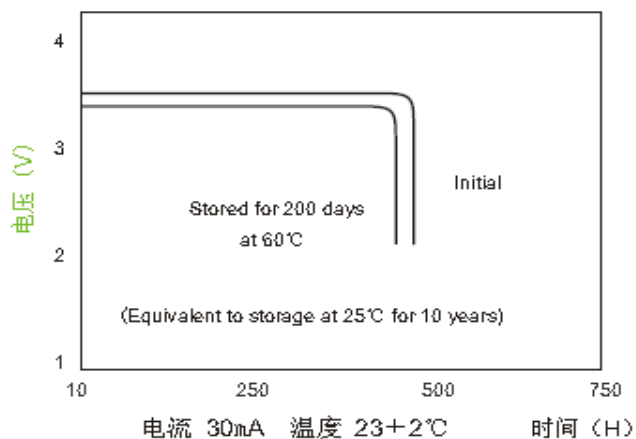
Discharge Characteristics (25°C)



Capacity vs current



Storage characteristics



**Lithium Thionyl Chloride Battery
Type ER34615M**

Part No.: **B16012**

DRW:	Jason	CHKD	Wilson	MATL:	Wilson	TOLERANCE	Mason	DATE	04.08.2010	Customer:
APPD:	Schumi			FINISH	Jamy		Sheet No.	3 from 4		

EDCON-COMPONENTS



Ordering Informations

Serie	Type of Batery	Termination Option	ROHS	Packing	Customer No.	-	Customer type
B16012	ER34615M	A	R	T			

A = Axial Led Wire	R = ROHS Conform	T = Tray	When our customer need special item	Sequential number from our customer
P1 = Radial Pin both side one round pin	N = NON ROHS Conform	I = individual		
P2 = Radial Pin both side one flat pin				
P3 = Radial Pin one side two pin other side one pin				

Lithium Thionyl Chloride Battery Type ER34615M
Part No.: B16012

DRW:	Jason	CHKD	Wilson	MATL:	Wilson	TOLERANCE	Mason	DATE	04.08.2010	Customer:
APPD:	Schumi			FINISH	Jamy		Sheet No.	4 from 4		