

# EDCON-COMPONENTS



## Technical Discription

High and stable operating voltage  
 Low self-discharge rate (less than 1% after 1 year storage at 25°C)  
 Operating Temperature ( -55°C ~ + 85°C)  
 Hermetecally glass-to-metal-sealing  
 Stainless steel container  
 Non-flammable electrolyte  
 Bobbin type  
 UL (MH46528), CE, SGS recognized  
 ISO9001:2008 approved  
 AIG Insurance

## Characteristics

Nominal capacity (1mA - 2.0V): 9000mAh  
 Nominal Voltage: 3,6V  
 Max. constant current: 200mA  
 Max. pulse current: 400mA  
 Weight: 55gr.  
 Volume: Ø 26,2x50,0mm  
 Workable temperature: . -55°C ~ + 85°C

## Warning Informations

Fire, explosion and sever burn hazard  
 Do not recharge, crush, disassemble, heat above 212°F (100°C), incinerate, short circuit of expose contents to water.  
 Do not reverse the positive and negative pole of battery while using it.  
 Do not solder directly on the battery.  
 Dispose of used batteries prombtly

## Applications

Utility meters (electricity meters, water meters, gas meters, AMR)  
 Security systems (door lockers, smoke alrams sensors, detectors)  
 CMOS memory and RTC backup  
 Vehicle tracking  
 Industrial clocks  
 Sea buoys , remote monitoring systems  
 Military electronics

**Lithium Thionyl Chloride Battery  
 Type ER26500**

Part No.: **B16006**

Customer:

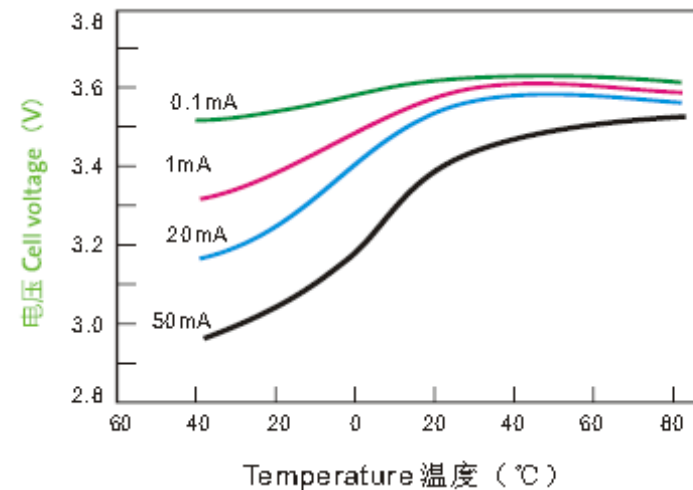
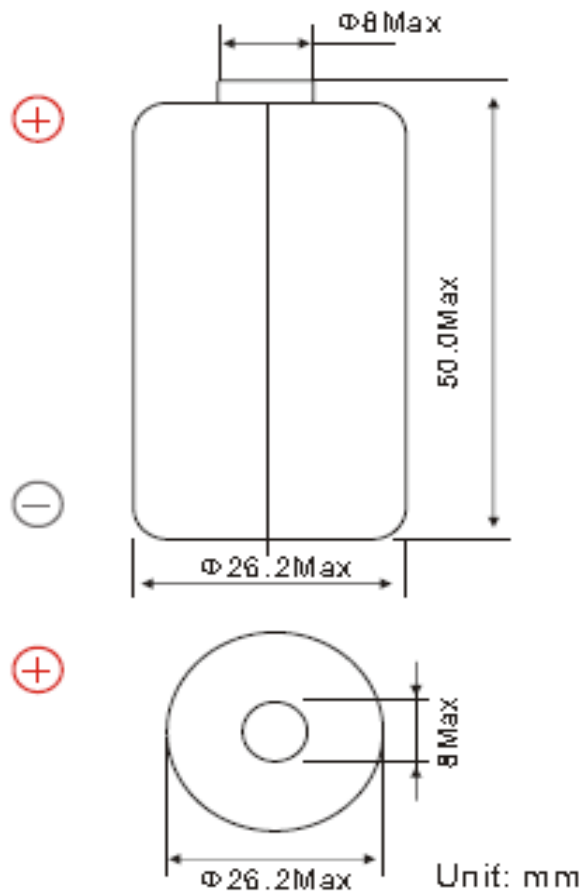
|       |        |      |        |        |        |           |           |      |            |
|-------|--------|------|--------|--------|--------|-----------|-----------|------|------------|
| DRW:  | Jason  | CHKD | Wilson | MATL:  | Wilson | TOLERANCE | Mason     | DATE | 04.08.2010 |
| APPD: | Schumi |      |        | FINISH | Jamy   |           | Sheet No. |      | 1 from 4   |

# EDCON-COMPONENTS



Dimensions (mm)

Voltage vs temperature curve



Lithium Thionyl Chloride Battery  
Type ER26500

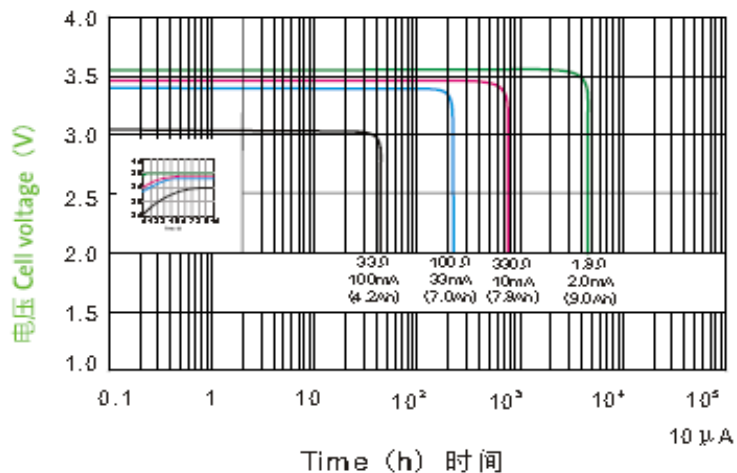
Part No.: **B16006**

Customer:

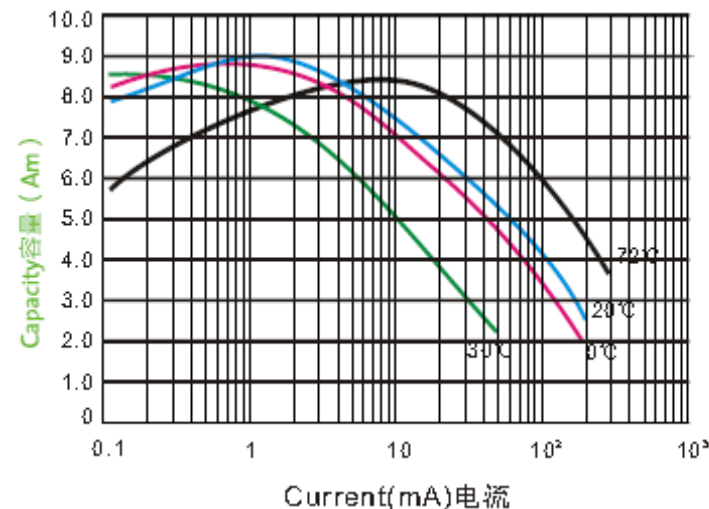
|       |        |      |        |        |        |           |           |          |            |
|-------|--------|------|--------|--------|--------|-----------|-----------|----------|------------|
| DRW:  | Jason  | CHKD | Wilson | MATL:  | Wilson | TOLERANCE | Mason     | DATE     | 04.08.2010 |
| APPD: | Schumi |      |        | FINISH | Jamy   |           | Sheet No. | 2 from 4 |            |



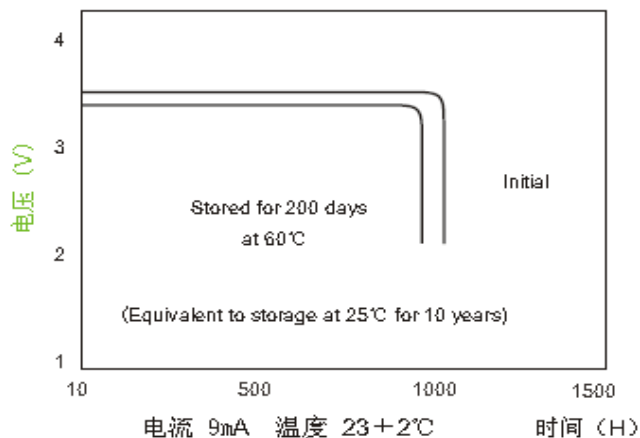
## Discharge Characteristics (25°C)



## Capacity vs current



## Storage characteristics



**Lithium Thionyl Chloride Battery  
Type ER26500**

Part No.: **B16006**

|       |        |      |        |        |        |           |           |          |            |
|-------|--------|------|--------|--------|--------|-----------|-----------|----------|------------|
| DRW:  | Jason  | CHKD | Wilson | MATL:  | Wilson | TOLERANCE | Mason     | DATE     | 04.08.2010 |
| APPD: | Schumi |      |        | FINISH | Jamy   |           | Sheet No. | 3 from 4 | Customer:  |

# EDCON-COMPONENTS



## Ordering Informations

| Serie  | Type of Batery | Termination Option | ROHS | Packing | Customer No. | - | Customer type |
|--------|----------------|--------------------|------|---------|--------------|---|---------------|
| B16006 | ER26500        | A                  | R    | T       |              |   |               |

|  |                             |                       |                                     |                                     |
|--|-----------------------------|-----------------------|-------------------------------------|-------------------------------------|
| <b>A</b> = Axial Led Wire                                  | <b>R</b> = ROHS Conform     | <b>T</b> = Tray       | When our customer need special item | Sequential number from our customer |
| <b>P1</b> = Radial Pin both side one round pin             | <b>N</b> = NON ROHS Conform | <b>I</b> = individual |                                     |                                     |
| <b>P2</b> = Radial Pin both side one flat pin              |                             |                       |                                     |                                     |
| <b>P3</b> = Radial Pin one side two pin other side one pin |                             |                       |                                     |                                     |

|  |               |
|--|---------------|
| <b>Lithium Thionyl Chloride Battery Type ER26500</b> |               |
| Part No.:  | <b>B16006</b> |
| Customer:  |               |

|       |        |      |        |        |        |           |           |      |            |
|-------|--------|------|--------|--------|--------|-----------|-----------|------|------------|
| DRW:  | Jason  | CHKD | Wilson | MATL:  | Wilson | TOLERANCE | Mason     | DATE | 04.08.2010 |
| APPD: | Schumi |      |        | FINISH | Jamy   |           | Sheet No. |      | 4 from 4   |