

# EDCON-COMPONENTS



## Technical Discription

High and stable operating voltage  
 Low self-discharge rate (less than 1% after 1 year storage at 25°C)  
 Operating Temperature ( -55°C ~ + 85°C)  
 Hermetecally glass-to-metal-sealing  
 Stainless steel container  
 Non-flammable electrolyte  
 Bobbin type  
 UL (MH46528), CE, SGS recognized  
 ISO9001:2008 approved  
 AIG Insurance

## Characteristics

Nominal capacity (1mA - 2.0V): 3500mAh  
 Nominal Voltage: 3,6V  
 Max. constant current: 100mA  
 Max. pulse current: 200mA  
 Weight: 32gr.  
 Volume: Ø 18,5x50,5mm  
 Workable temperature: . -55°C ~ + 85°C

## Warning Informations

Fire, explosion and sever burn hazard  
 Do not recharge, crush, disassemble, heat above 212°F (100°C), incinerate, short circuit of expose contents to water.  
 Do not reverse the positive and negative pole of battery while using it.  
 Do not solder directly on the battery.  
 Dispose of used batteries prombtly

## Applications

Utility meters (electricity meters, water meters, gas meters, AMR)  
 Security systems (door lockers, smoke alrams sensors, detectors)  
 CMOS memory and RTC backup  
 Vehicle tracking  
 Industrial clocks  
 Sea buoys , remote monitoring systems  
 Military electronics

**Lithium Thionyl Chloride Battery  
 Type ER18505**

Part No.: **B16005**

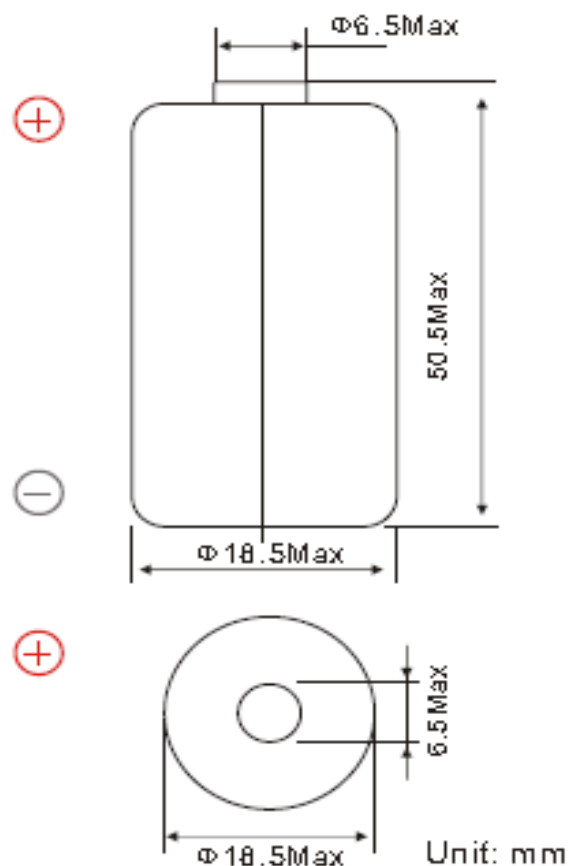
Customer:

DRW:	Jason	CHKD	Wilson	MATL:	Wilson	TOLERANCE	Mason	DATE	04.08.2010
APPD:	Schumi			FINISH	Jamy		Sheet No.		1 from 4

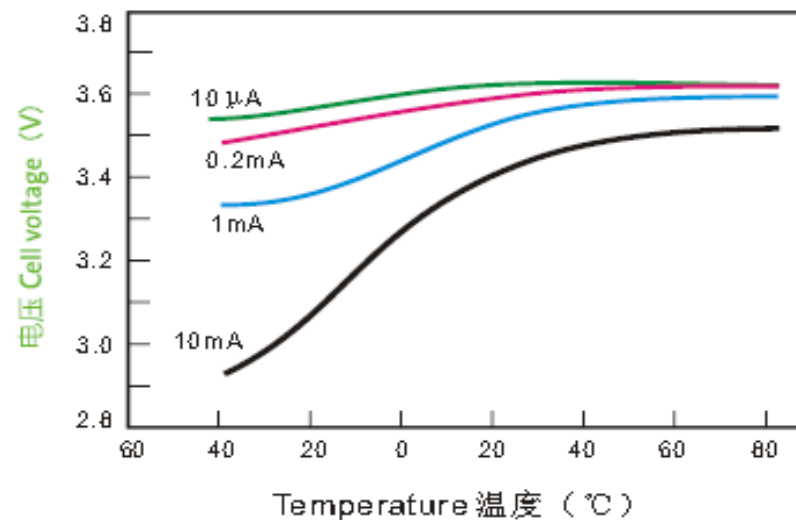
# EDCON-COMPONENTS



Dimensions (mm)



Voltage vs temperature curve



Lithium Thionyl Chloride Battery  
Type ER18505

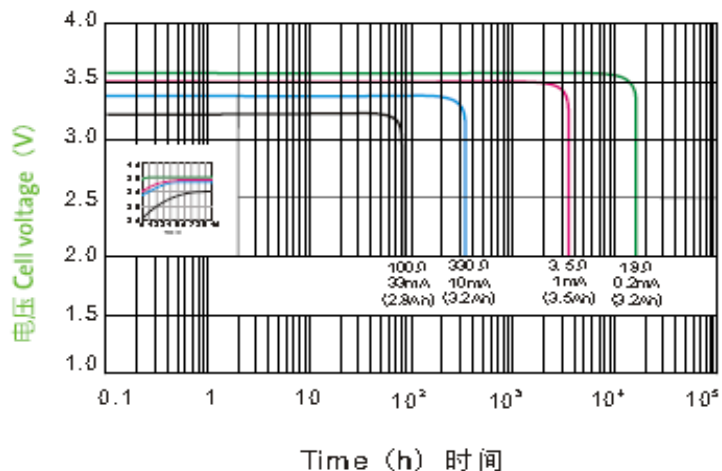
Part No.: **B16005**

Customer:

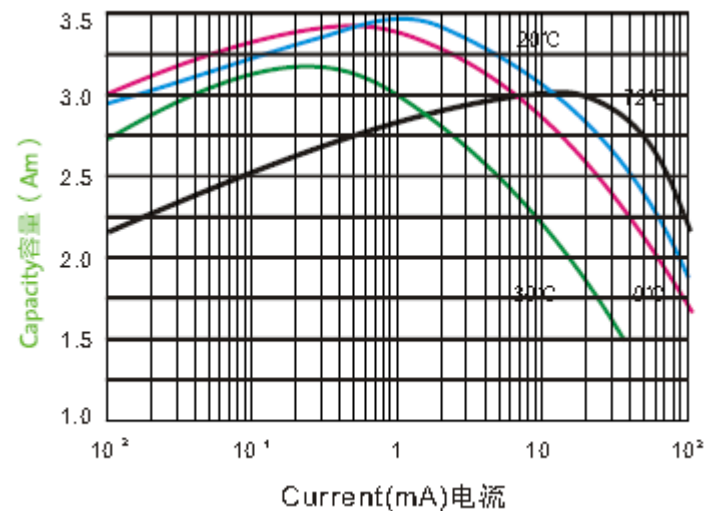
DRW:	Jason	CHKD	Wilson	MATL:	Wilson	TOLERANCE	Mason	DATE	04.08.2010
APPD:	Schumi			FINISH	Jamy		Sheet No.	2 from 4	



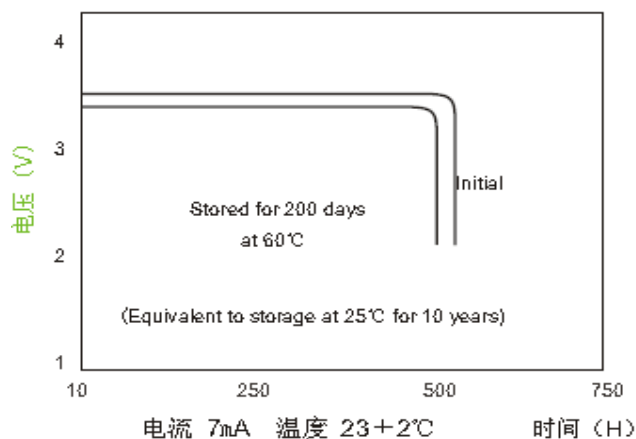
## Discharge Characteristics (25°C)



## Capacity vs current



## Storage characteristics



**Lithium Thionyl Chloride Battery  
Type ER18505**

Part No.: **B16005**

DRW:	Jason	CHKD	Wilson	MATL:	Wilson	TOLERANCE	Mason	DATE	04.08.2010
APPD:	Schumi			FINISH	Jamy		Sheet No.	3 from 4	Customer:

# EDCON-COMPONENTS



## Ordering Informations

Serie	Type of Batery	Termination Option	ROHS	Packing	Customer No.	-	Customer type
B16005	ER18505	A	R	T			

<b>A</b> = Axial Led Wire	<b>R</b> = ROHS Conform	<b>T</b> = Tray	When our customer need special item	Sequential number from our customer
<b>P1</b> = Radial Pin both side one round pin	<b>N</b> = NON ROHS Conform	<b>I</b> = individual		
<b>P2</b> = Radial Pin both side one flat pin				
<b>P3</b> = Radial Pin one side two pin other side one pin				

<b>Lithium Thionyl Chloride Battery Type ER18505</b>	
Part No.:	<b>B16005</b>
Customer:	

DRW:	Jason	CHKD	Wilson	MATL:	Wilson	TOLERANCE	Mason	DATE	04.08.2010
APPD:	Schumi			FINISH	Jamy		Sheet No.		4 from 4