

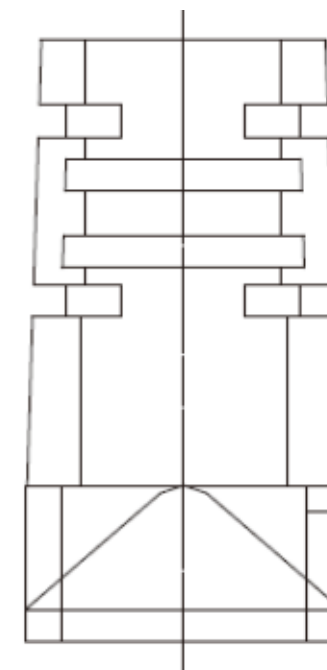
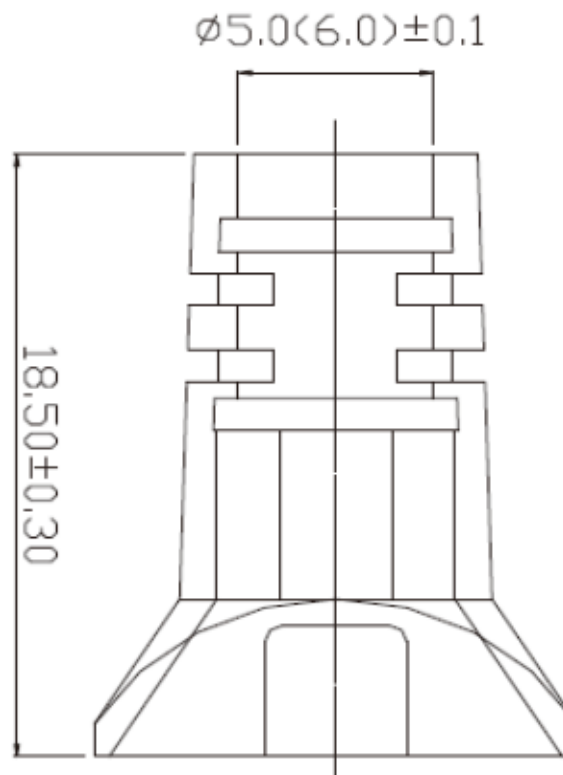
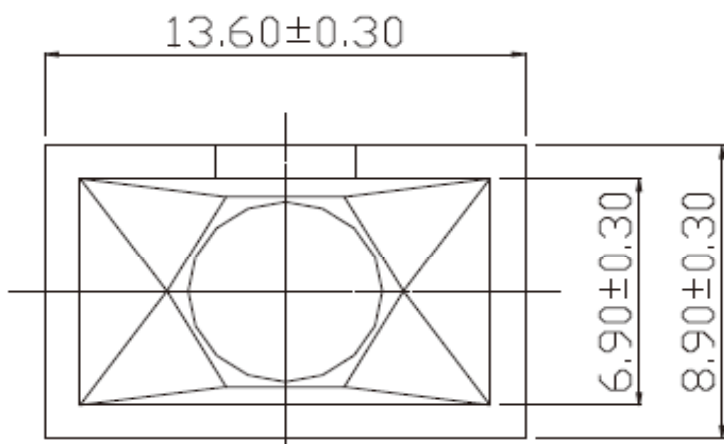
EDCON-COMPONENTS



Technical Specification

Material: PVC
 Colour of Cover: Like order Code

Technical Drawing



Cover for RJ-45 Plug

Part No.: **T29A9008**

DRW:	Jason	CHKD	Wilson	MATL:	Wilson	TOLERANCE	Mason	DATE	15.12.2017
APPD:	Schumi			FINISH	Jamy		Sheet No.		1 from 3

Customer:
 email: info@edcon-components.com

EDCON-COMPONENTS



Ordering Informations

Serie	Contact Plating	RJ-Type	Cable Entry A	Spezial Function	ROHS	Packing				
-------	-----------------	---------	---------------	------------------	------	---------	--	--	--	--

T29A9008	BK	B	1	0	R	BU				
----------	----	---	---	---	---	----	--	--	--	--

BK= Black	B= 8P	1= 5,0mm	0= No function	R= ROHS Conform	BU= Bulk-Ware

Cover for RJ-45 Plug
Part No.: T29A9008
Customer:

DRW:	Jason	CHKD	Wilson	MATL:	Wilson	TOLERANCE	Mason	DATE	15.12.2017
APPD:	Schumi			FINISH	Jamy		Sheet No.	2 from 3	