

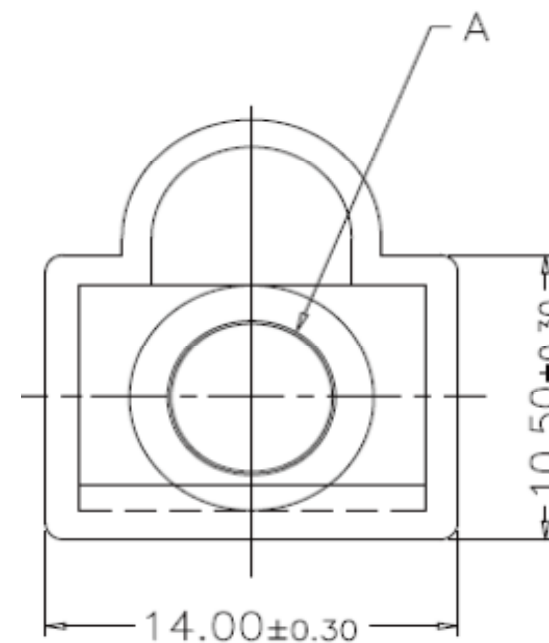
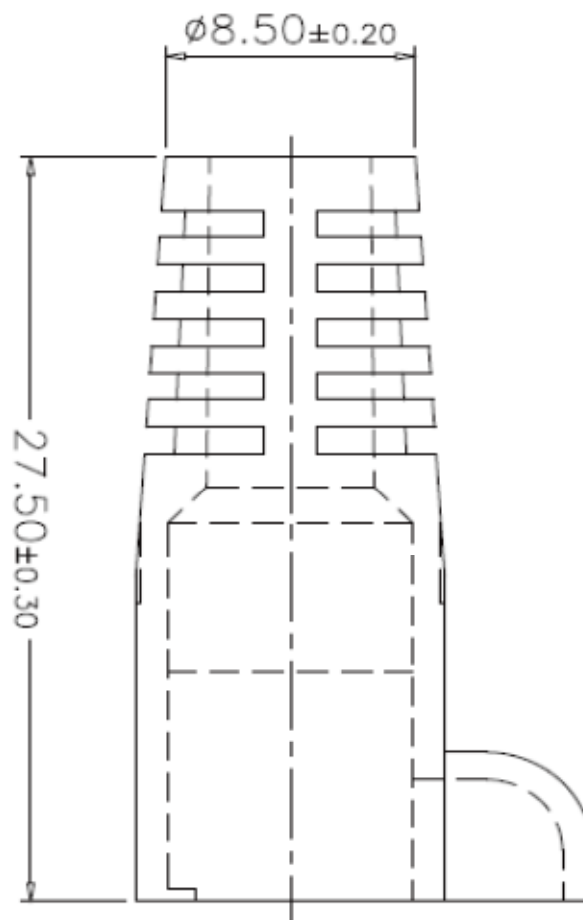
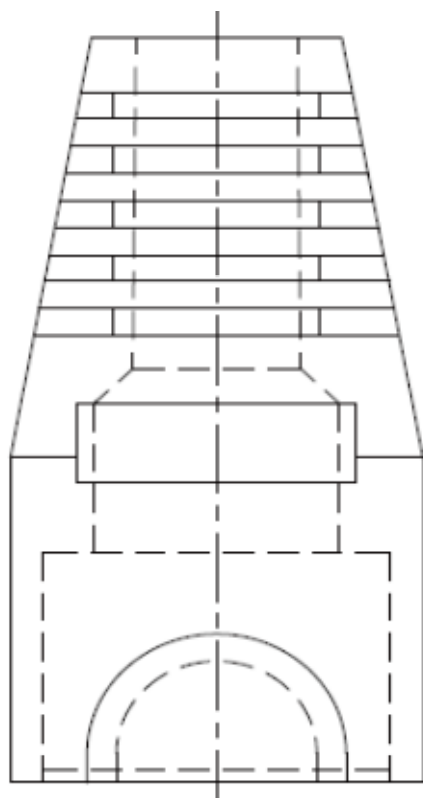
EDCON-COMPONENTS



Technical Specification

Material: PVC
 Colour of Cover: Like order Code

Technical Drawing



Cover for RJ-45 Plug	
Part No.:	T29A9002
Customer:	

DRW:	Jason	CHKD	Wilson	MATL:	Wilson	TOLERANCE	Mason	DATE	15.12.2017
APPD:	Schumi			FINISH	Jamy		Sheet No.		1 from 3

EDCON-COMPONENTS



Ordering Informations

Serie	Contact Plating	RJ-Type	Cable Entry A	Spezial Function	ROHS	Packing				
-------	-----------------	---------	---------------	------------------	------	---------	--	--	--	--

T29A9002	YE	B	1	0	R	BU				
-----------------	-----------	----------	----------	----------	----------	-----------	--	--	--	--

YE= Yellow	B= 8P	1= 5,5mm	0= No function	R= ROHS Conform	BU= Bulk-Ware
BL= Blue		2= 6,0mm			
GN= Green		3= 6,5mm			
RD= Red		4= 7,0mm			
GY= Gray					
WH= White					
OR= Orange					
BK= Black					
PU= Purple					

Cover for RJ-45 Plug
Part No.: T29A9002
Customer:

DRW:	Jason	CHKD	Wilson	MATL:	Wilson	TOLERANCE	Mason	DATE	15.12.2017
APPD:	Schumi			FINISH	Jamy		Sheet No.	2 from 3	