

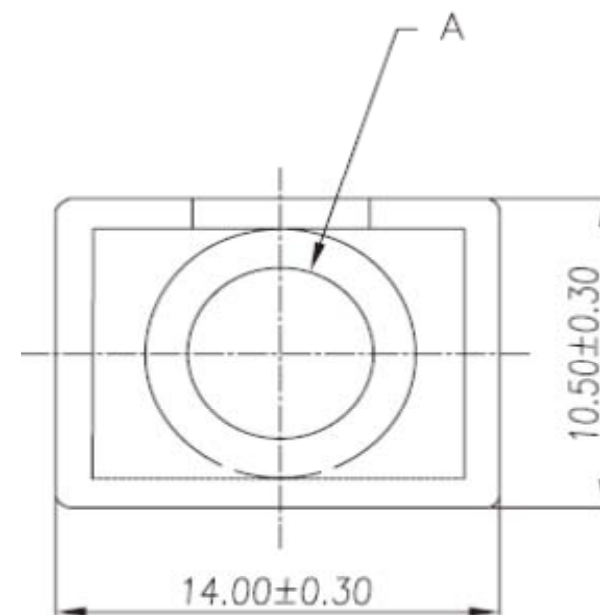
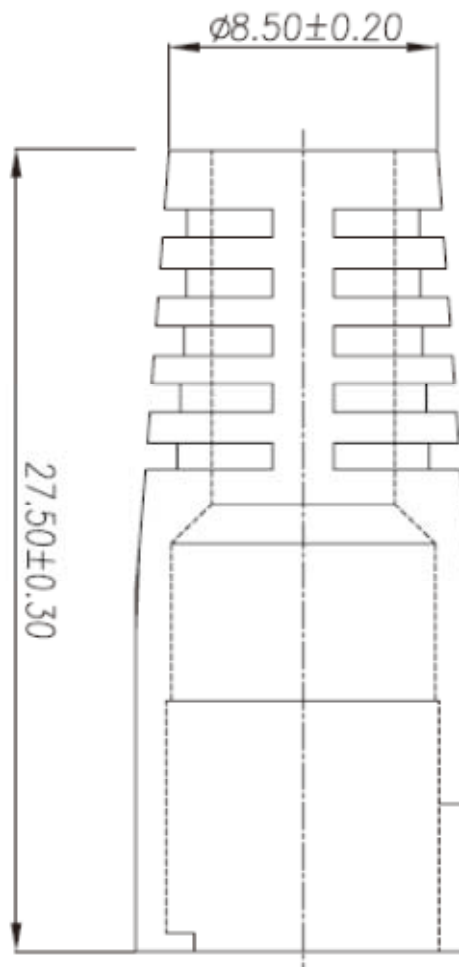
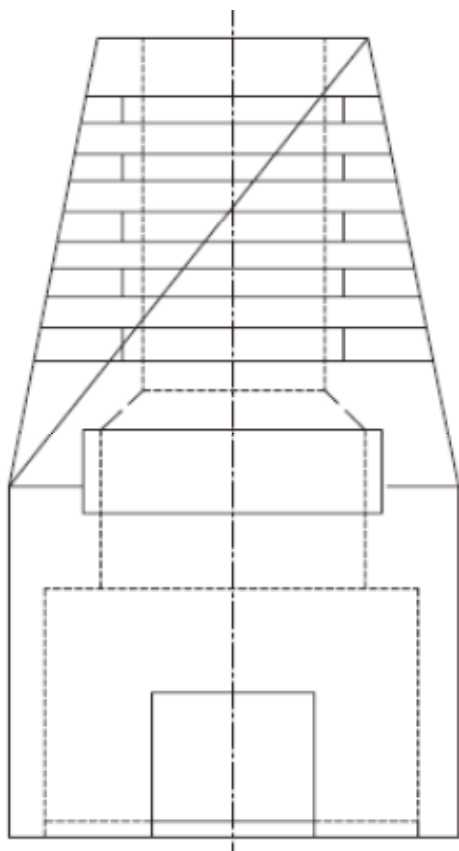
# EDCON-COMPONENTS



## Technical Specification

Material: PVC  
 Colour of Cover: Like order Code

## Technical Drawing



<b>Cover for RJ-11 Plug</b>	
Part No.:	<b>T29A29001</b>
Customer:	

DRW:	Jason	CHKD	Wilson	MATL:	Wilson	TOLERANCE	Mason	DATE	15.12.2017
APPD:	Schumi			FINISH	Jamy			Sheet No.	1 from 3

[www.edcon-components.com](http://www.edcon-components.com)

email: [info@edcon-components.com](mailto:info@edcon-components.com)

# EDCON-COMPONENTS



## Ordering Informations

Serie	Contact Plating	RJ-Type	Cable Entry A	Spezial Function	ROHS	Packing				
-------	-----------------	---------	---------------	------------------	------	---------	--	--	--	--

<b>T29A29001</b>	<b>YE</b>	<b>A</b>	<b>1</b>	<b>0</b>	<b>R</b>	<b>BU</b>				
------------------	-----------	----------	----------	----------	----------	-----------	--	--	--	--

<b>YE= Yellow</b>	<b>A= 6P/6C</b>	<b>1= 5,5mm</b>	<b>0= No function</b>	<b>R= ROHS Conform</b>	<b>BU= Bulk-Ware</b>
<b>BL= Blue</b>		<b>2= 6,0mm</b>			
<b>GN= Green</b>					
<b>RD= Red</b>					
<b>GY= Gray</b>					
<b>WH= White</b>					
<b>OR= Orange</b>					
<b>BK= Black</b>					
<b>PU= Purple</b>					

<b>Cover for RJ-11 Plug</b>
Part No.: <b>T29A29001</b>
Customer:

DRW:	Jason	CHKD	Wilson	MATL:	Wilson	TOLERANCE	Mason	DATE	15.12.2017
APPD:	Schumi			FINISH	Jamy		Sheet No.	2 from 3	