

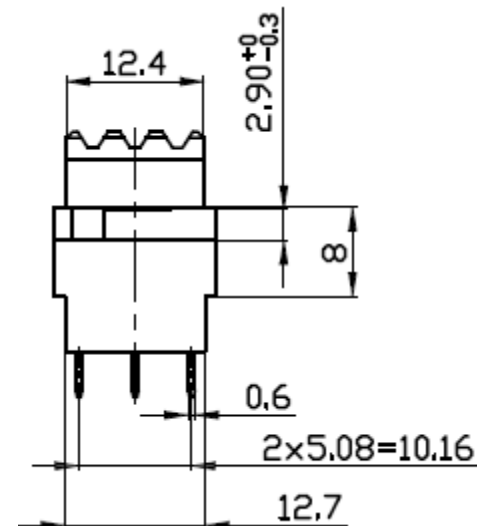
# EDCON-COMPONENTS



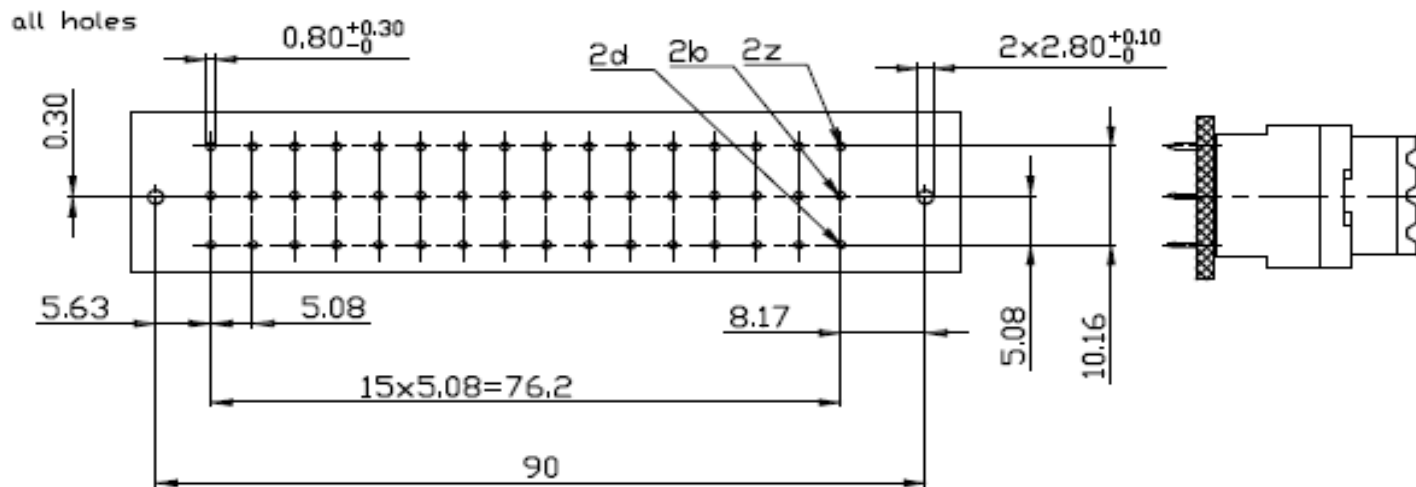
## Specifications

Current Rating:	5,6A
Operating Temperature:	.-55°C ~ +105°C
Contact Resistance:	20mΩ max.
Withstanding Voltage:	AC 1000V for 1 minute
Insulation Resistance:	100000MΩ min at DC500V
Contact Material:	Brass
Contact Plating :	Look table
Insulator Material:	PBT +30GF UL94V-0
Insertion Force:	75N max.
Withdrawal Force:	0,15N min per individual Contact

## Drawing ( dimensions all into mm)



## PCB-Layout



**DIN 41612 Female Straight  
Type F**

Part No.: **T21043-**

DRW:	Jason	CHKD	Wilson	MATL:	Wilson	TOLERANCE	Mason	DATE	03.05.2016	Customer:
APPD:	Schumi			FINISH	Jamy		Sheet No.	1 from 3		

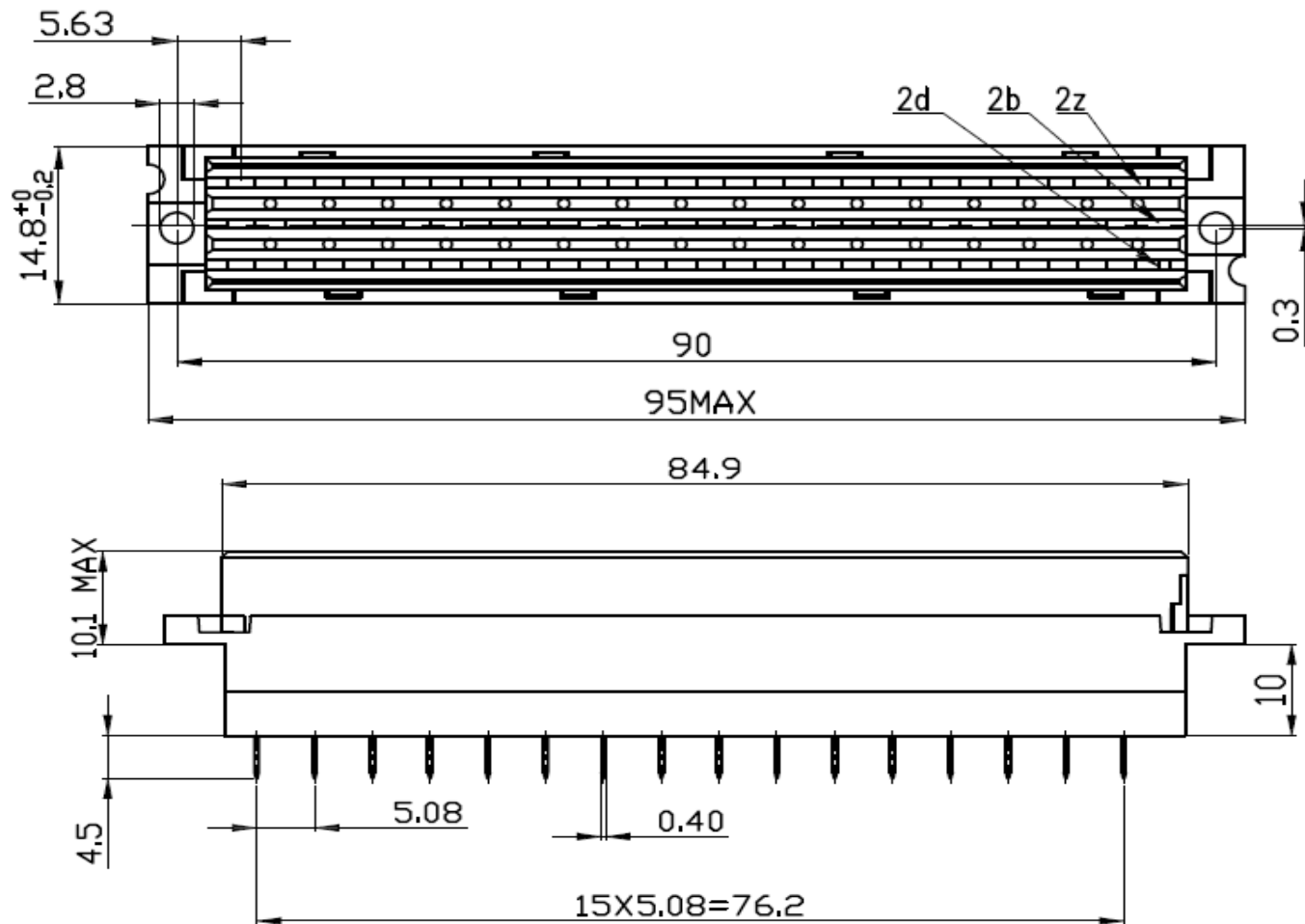
[www.edcon-components.com](http://www.edcon-components.com)

email: [info@edcon-components.com](mailto:info@edcon-components.com)

# EDCON-COMPONENTS



## Dimension Information about Housing



**DIN 41612 Female Straight  
Type F**

Part No.: **T21043-**

Customer:

DRW:	Jason	CHKD	Wilson	MATL:	Wilson	TOLERANCE	Mason	DATE	03.05.2016
APPD:	Schumi			FINISH	Jamy		Sheet No.	2 from 3	

# EDCON-COMPONENTS



## Ordering Informations

Serie	Number of Pos.	Contact Plating	Row loaded	Packing	Packing					
<b>T21043-</b>	<b>32</b>	<b>G0</b>	<b>A</b>	<b>M</b>	<b>BU</b>					

<b>32 = Pos.</b>	<b>G0=</b> Gold flash	<b>A=</b> d + z	<b>M=</b> Male	<b>BU=</b> Bulk Packing					
<b>48 = Pos.</b>	<b>S0=</b> Gold flash / Ni	<b>B=</b> d + b + z		<b>TY=</b> Tray Packing					

<b>G1=</b> 3µ Gold	
<b>G2=</b> 5µ Gold	
<b>G3=</b> 10µ Gold	
<b>G4=</b> 15µ Gold	
<b>G5=</b> 30µ Gold	
<b>T0=</b> Tin	
<b>S1=</b> 3µ Gold / Ni	
<b>S2=</b> 5µ Gold / Ni	<b>S5=</b> 30µ Gold / Ni
<b>S3=</b> 10µ Gold / Ni	<b>S4=</b> 15µ Gold / Ni

**DIN 41612 Female Straight Type F**

Part No.: **T21043-**  
Customer:

DRW:	Jason	CHKD	Wilson	MATL:	Wilson	TOLERANCE	Mason	DATE	03.05.2016
APPD:	Schumi			FINISH	Jamy		Sheet No.		3 from 3