

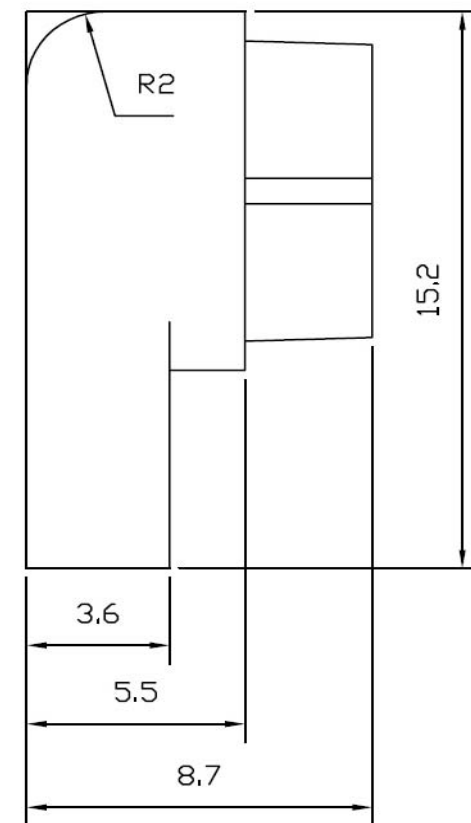
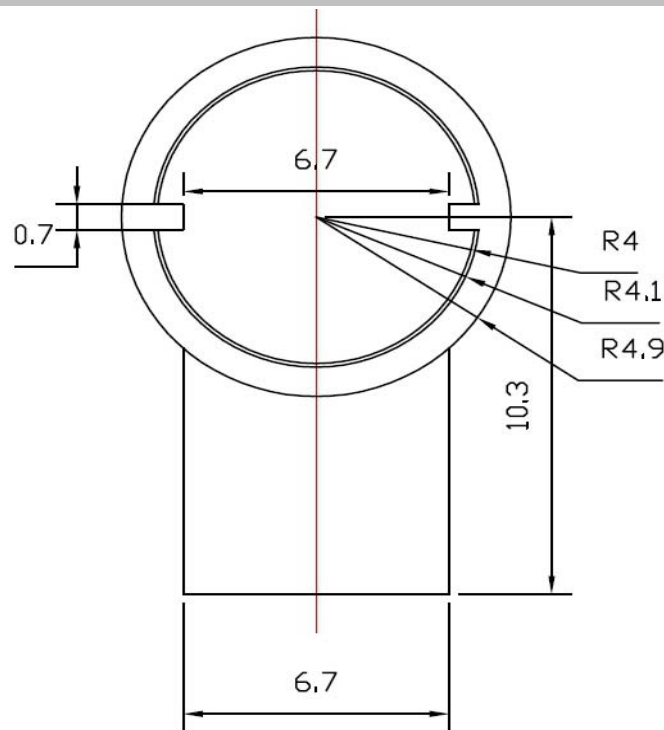
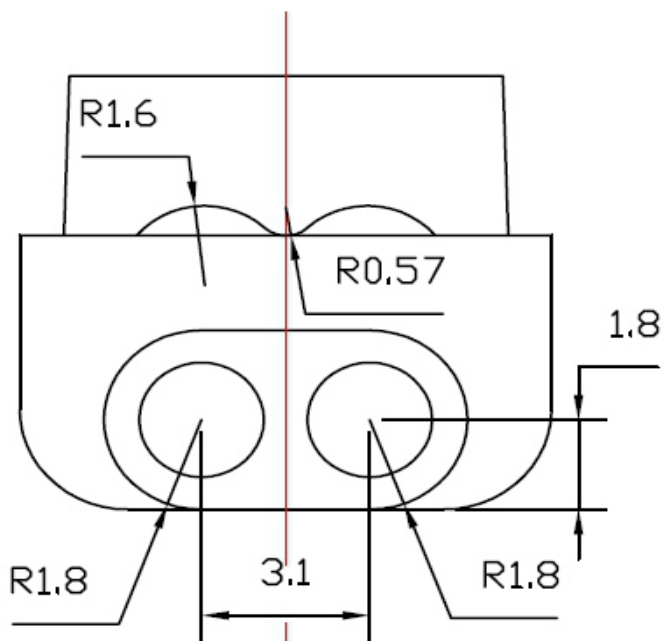
# EDCON-COMPONENTS



## Technical Discription

Material Body Polycarbonat  
 Color Clear  
 Connector Type IDC  
 Color of Head Yellow  
 Wire Connecting 2  
 Connector Material Phosphor Bronze  
 Wire Range:

## Drawing



<b>IDC-Telekom-connector</b>	
Part No.:	<b>A23004</b>
Customer:	

DRW:	Jason	CHKD	Wilson	MATL:	Wilson	TOLERANCE	Mason	DATE	07.12.2017
APPD:	Schumi			FINISH	Jamy		Sheet No.	1 from 2	

# EDCON-COMPONENTS



## Ordering Informations

Serie	Connecting Wire	Colour	Special function	Special function	ROHS	Packing
<b>A23004</b>	<b>2</b>	<b>YE</b>	<b>N</b>	<b>N</b>	<b>R</b>	<b>BU1</b>
	<b>2= 2 Wires</b>	<b>YE= Yellow</b>	<b>N= No Speical function</b>	<b>N= No Speical function</b>	<b>R= ROHS Conform</b>	<b>BU1= Bulk with 100PCS</b>
					<b>N= NON ROHS Conform</b>	<b>BU2= Bulk with 1000PCS</b>

<b>IDC-Telekom-connector</b>
Part No.: <b>A23004</b>
Customer:

DRW:	Jason	CHKD	Wilson	MATL:	Wilson	TOLERANCE	Mason	DATE	07.12.2017
APPD:	Schumi			FINISH	Jamy		Sheet No.		2 from 2