

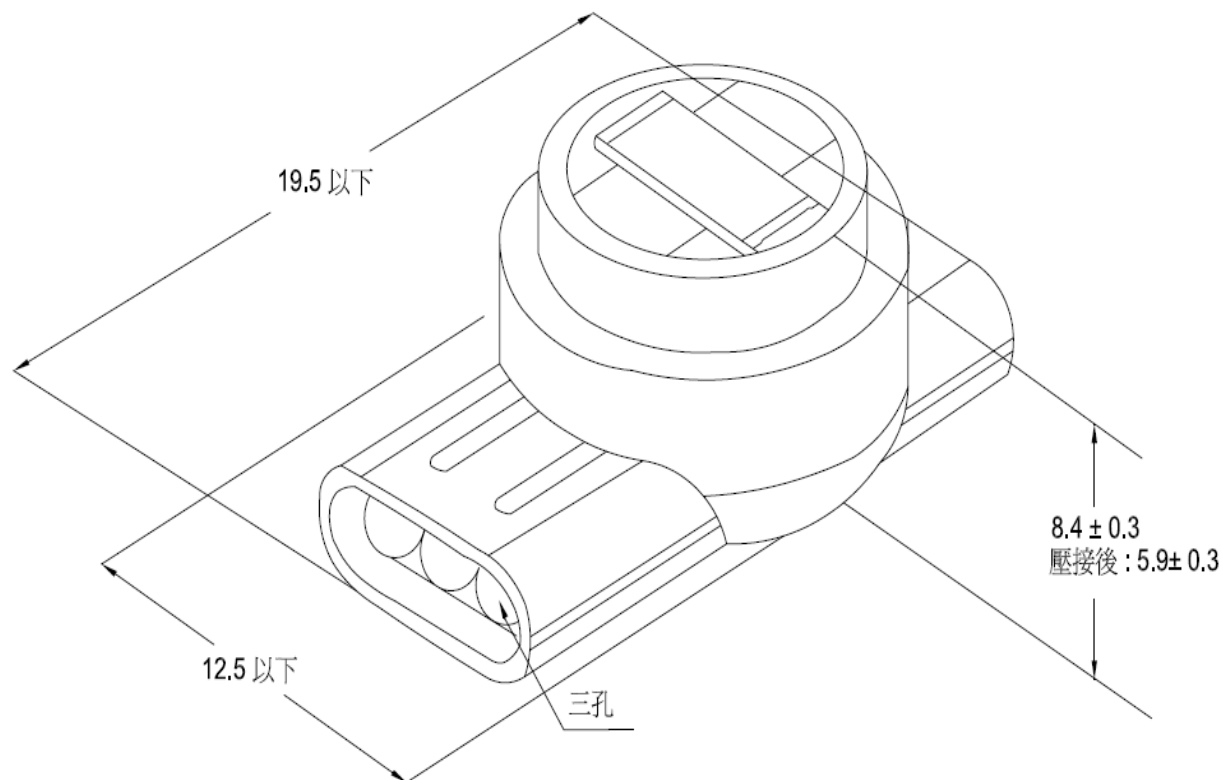
EDCON-COMPONENTS



Technical Discription

Material Body	Polycarbonat
Color	Clear
Connector Type	IDC
Color of Head	Red
Wire Connecting	3
Connector Material	Phosphor Bronze
Wire Range:	

Drawing



IDC Telekom-connector	
Part No.:	A23002
Customer:	

DRW:	Jason	CHKD	Wilson	MATL:	Wilson	TOLERANCE	Mason	DATE	07.12.2017
APPD:	Schumi			FINISH	Jamy			Sheet No.	1 from 2

EDCON-COMPONENTS



Ordering Informations

Serie	Connecting Wire	Colour	Special function	Special function	ROHS	Packing
A23002	3	RD	N	N	R	BU1
	3= 3 Wires	RD= Red	N= No Speical function	N= No Speical function	R= ROHS Conform	BU1= Bulk with 100PCS
					N= NON ROHS Conform	BU2= Bulk with 1000PCS

IDC Telekom-connector
Part No.: A23002
Customer:

DRW:	Jason	CHKD	Wilson	MATL:	Wilson	TOLERANCE	Mason	DATE	07.12.2017
APPD:	Schumi			FINISH	Jamy		Sheet No.		2 from 2