

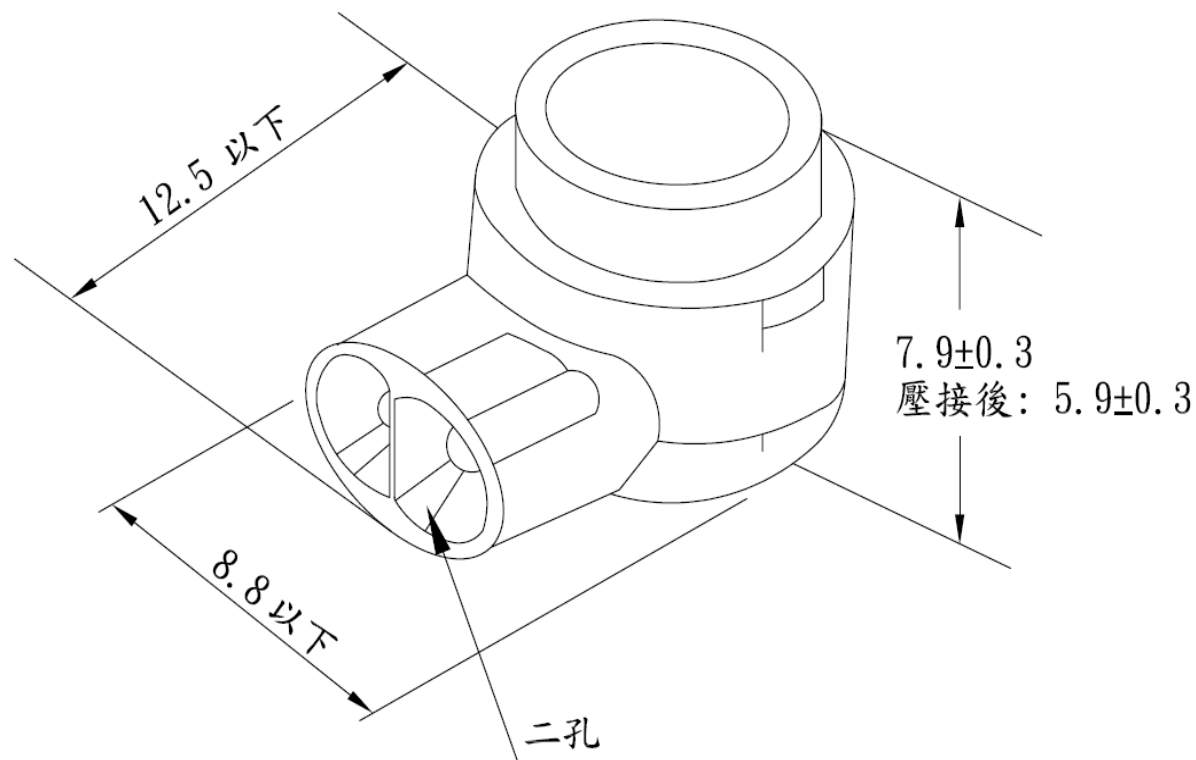
EDCON-COMPONENTS



Technical Discription

Material Body	Polycarbonat
Color	Clear
Connector Type	IDC
Color of Head	Yellow
Wire Connecting	2
Connector Material	Phosphor Bronze
Wire Range:	

Drawing



IDC-Telekom-connector	
Part No.:	A23001
Customer:	

DRW:	Jason	CHKD	Wilson	MATL:	Wilson	TOLERANCE	Mason	DATE	07.12.2017
APPD:	Schumi			FINISH	Jamy		Sheet No.	1 from 2	

EDCON-COMPONENTS



Ordering Informations

Serie	Connecting Wire	Colour	Special function	Special function	ROHS	Packing
A23001	2	YE	N	N	R	BU1
	2= 2 Wires	YE= Yellow	N= No Speical function	N= No Speical function	R= ROHS Conform	BU1= Bulk with 100PCS
					N= NON ROHS Conform	BU2= Bulk with 1000PCS

IDC-Telekom-connector
Part No.: A23001
Customer:

DRW:	Jason	CHKD	Wilson	MATL:	Wilson	TOLERANCE	Mason	DATE	07.12.2017
APPD:	Schumi			FINISH	Jamy		Sheet No.		2 from 2