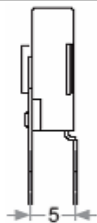


EDCON-COMPONENTS



Electrical Characteristics

Standard Resistance Range: 100Ω ~ 5,0MΩ
 Resistance Tolerance: +/-30% Standard
 Contact Resistance Variation : ≤3%
 Effective Travel: 215° normal
 Absolute Minimum Resistance: ≤ 1% max.
 Resistance: Essentially infinitied:

Features

Carbon Resistive Element
 Dust Proof Enclosure
 Polyester Substrate
 Wider Position at 50% or fully clockwise
 Supplied in magazines for automatic insertion
 Long life model for low cost control potentiometer application
 Self Extinguishable Plastic UL94V-0

Range Code Table

Ordering Code	Range
101	100Ω
221	220Ω
331	330Ω
102	1,0KΩ
222	2,2KΩ
332	3,3KΩ
103	10KΩ
223	22KΩ
333	33KΩ
503	50KΩ
104	100KΩ
204	200KΩ
504	500KΩ
105	1,0MΩ
205	2,0MΩ
505	5,0MΩ

Environmental Characteristics

Range of Value: 100Ω to 5MΩ
 Resistance Tolerance: 100Ω to 1,0MΩ +/-20% (M)
 Resistance Tolerance: 1,0MΩ to 5,0MΩ +/-30% (N)
 Max. Voltage: 250VDC(lin), 125VDC(no lin)
 Residual Power: @50°C 0,25W(lin) 0,12W(no lin)
 Equivalent Noise Resistance: ≤3% Rn(3Ωmin)
 Operating Temperature: -25°C to +70°C

Physical Characteristics

Mechanical Angle: 265° +/- 5°
 Electrical Rotation angle: 240° +/-20%
 Torque: 0,5 to 2,5N-cm
 Stop Torque: ≥20N-cm
 Marking: resistance and date code
 Standard Packing 200pcs/Bag

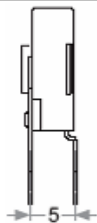
**15mm THT Single-Turn
 Trimmer Type PT15H**

Part No.: **X18015**

DRW:	Jason	CHKD	Wilson	MATL:	Wilson	TOLERANCE	Mason	DATE	10.04.2009
APPD:	Schumi			FINISH	Jamy		Sheet No.		1 from 5

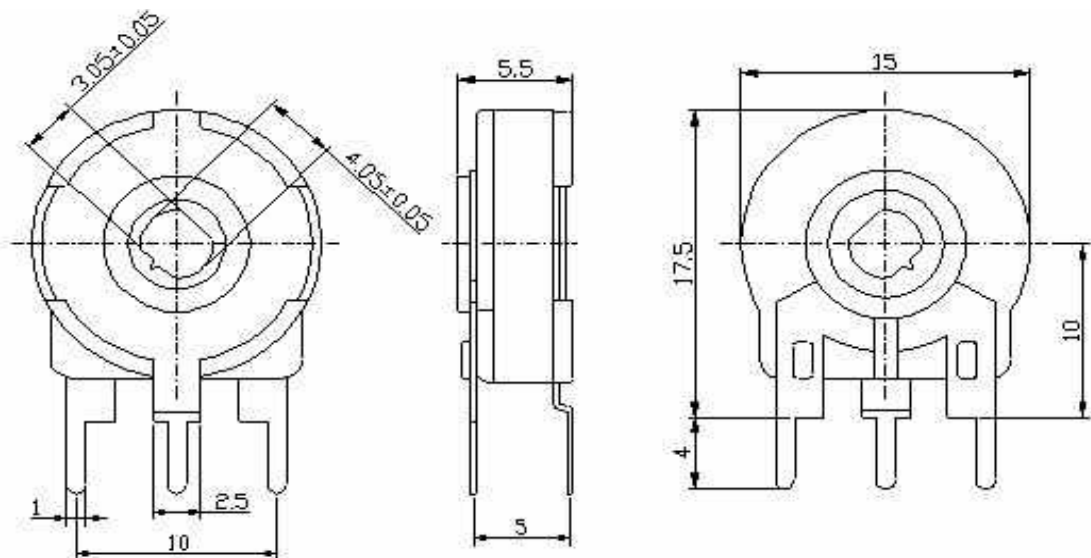
Customer:
 email: info@edcon-components.com

EDCON-COMPONENTS

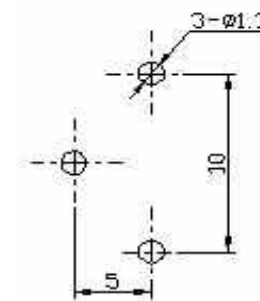


Technical Specifications Alternative to Brand Piher 15mm

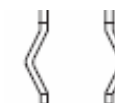
Technical Dimension



PCB Layout



Leg Style



B-Type
Kinked



A-Type
Standard

**15mm THT Single-Turn
Trimmer Type PT15H**

Part No.: **X18015**

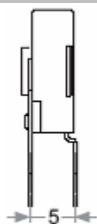
Customer:

DRW:	Jason	CHKD	Wilson	MATL:	Wilson	TOLERANCE	Mason	DATE	10.04.2009
APPD:	Schumi			FINISH	Jamy		Sheet No.	2 from 5	

www.edcon-components.com

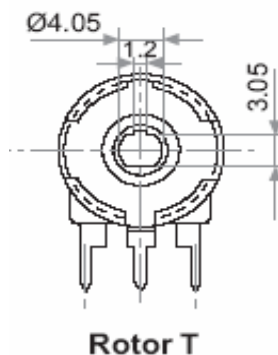
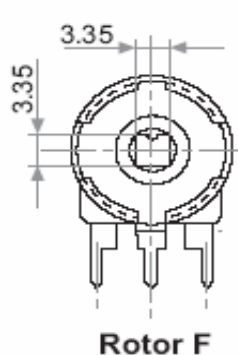
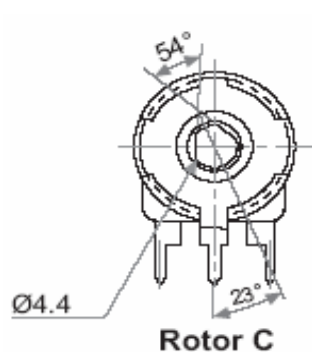
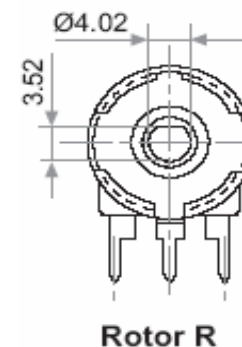
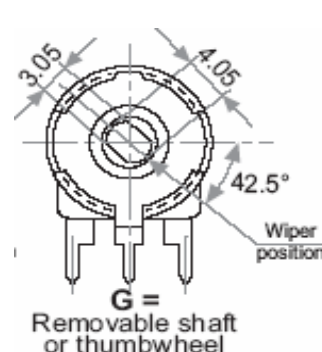
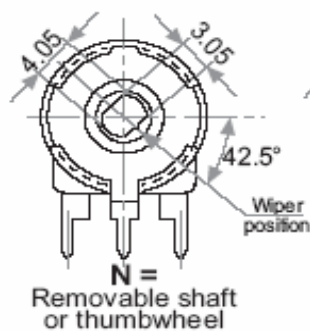
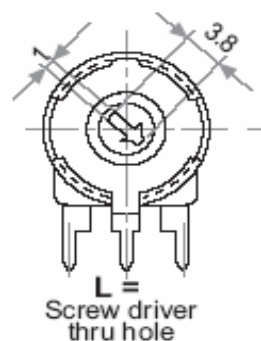
email: info@edcon-components.com

EDCON-COMPONENTS



Technical Specifications Alternative to Brand Piher 15mm

Rotor Style Variation



**15mm THT Single-Turn
Trimmer Type PT15H**

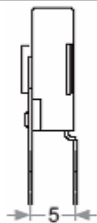
Part No.: **X18015**

DRW:	Jason	CHKD	Wilson	MATL:	Wilson	TOLERANCE	Mason	DATE	10.04.2009
APPD:	Schumi			FINISH	Jamy		Sheet No.	3 from 5	Customer:

www.edcon-components.com

email: info@edcon-components.com

EDCON-COMPONENTS



Ordering Informations

Serie	Range Code	Tolerance	Curve/ Taper	Rotor for Axle	Electrical Lifetime	Leg Style	ROHS	Packing		
X18015	101	M	A	L	1	A	R	BU201		

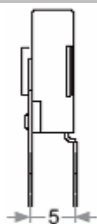
101= 100Ω	M= Tol. 20%	A= Linear	L= Screwdriver	1= Standard 500cycles	A= Standard leg	R= ROHS conform	BU201= Bulk-Ware 200PCS
	N= Tol. 30%	B= Logarithmisch	M= Hexagonal 1	2= 10000cycles	B= Kinked leg	N= NON ROHS conform	
		C= Anti Logarithmisch	N= Trumbweel 1	3= 100000 cycles (to be studied case by case)			MA= Magazine
			G= Trumbweel 2				
			C= Triangle				
			F= Quad				
			R= Half Moon 1	T= Half Moon 2			

15mm THT Single-Turn Trimmer Type PT15H
Part No.: **X18015**

DRW:	Jason	CHKD	Wilson	MATL:	Wilson	TOLERANCE	Mason	DATE	10.04.2009	Customer:
APPD:	Schumi			FINISH	Jamy		Sheet No.	4 from 5		

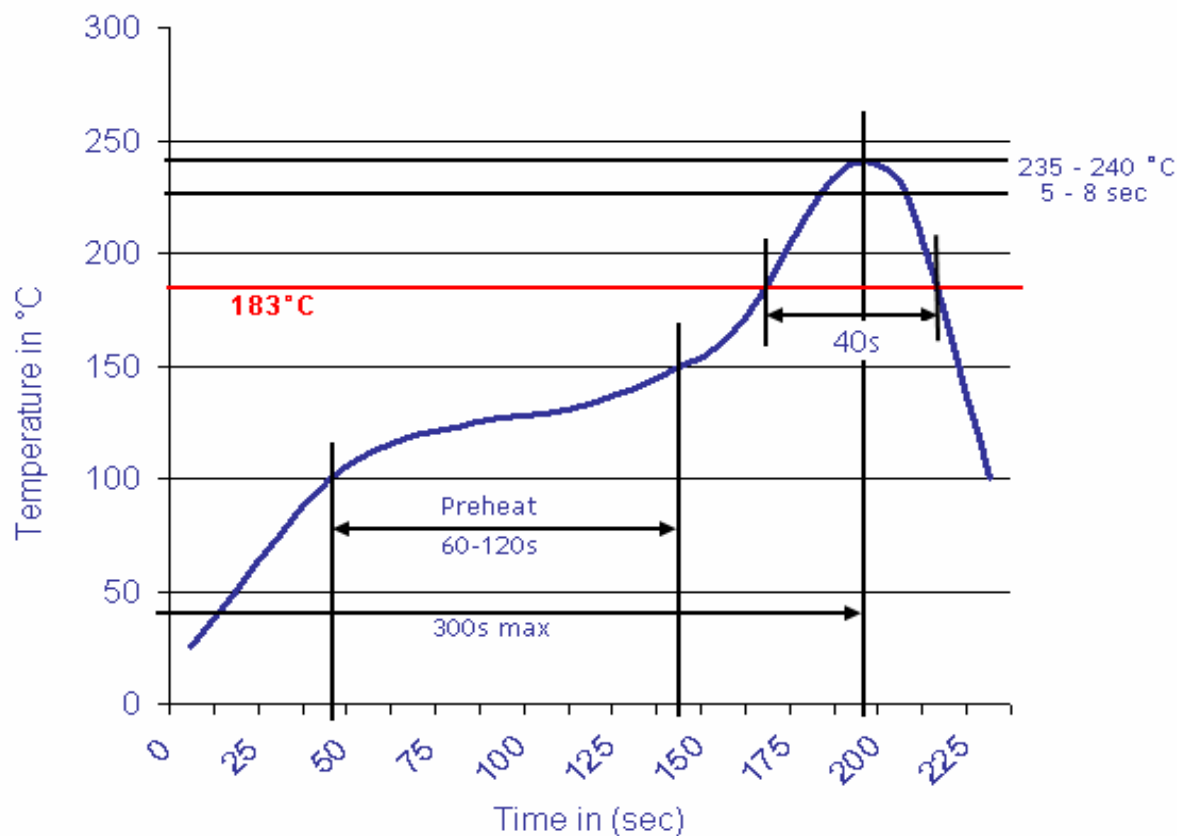
www.edcon-components.com

email: info@edcon-components.com



Soldering Profile Curve

Classification Reflow Profile (JEDEC J-STD-020C)



15mm THT Single-Turn Trimmer Type PT15H	
Part No.:	X18015
Customer:	

DRW:	Jason	CHKD	Wilson	MATL:	Wilson	TOLERANCE	Mason	DATE	10.04.2009
APPD:	Schumi			FINISH	Jamy		Sheet No.	5 from 5	