

Technical Specification

Electrical Characteristics

Standard Resistance Range: 220Ω ~ 5,0MΩ
 Resistance Tolerance: +/-30% Standard
 Contact Resistance Variation : ≤3%
 Effective Travel: 215° normal
 Absolute Minimum Resistance: ≤ 1% max.
 Resistance: Essentially infinite:

Environmental Characteristics

Range of Value: 220Ω to 5MΩ
 Resistance Tolerance: 220Ω to 1,0MΩ +/-20% (M)
 Resistance Tolerance: 1,0MΩ to 5,0MΩ +/-30% (N)
 Max. Voltage: 30VDC(lin), 15VDC(no lin)
 Residual Power: @50°C 0,03W(lin) 0,015W(no lin)
 Equivalent Noise Resistance: ≤3% Rn(3Ωmin)
 Operating Temperature: -25°C to +70°C
 Mechanical Life Standard: 500cycles (10000 Cycles)

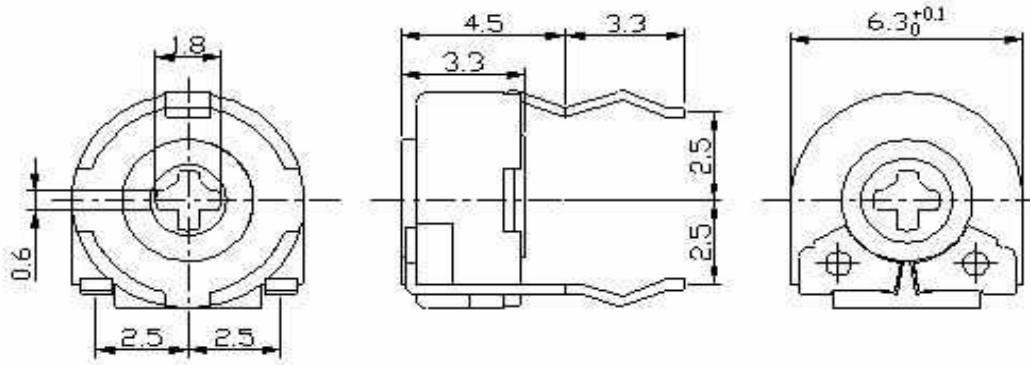
Features

Carbon Resistive Element
 Dust Proof Enclosure
 Polyester Substrate
 Wider Position at 50% or fully clockwise
 Supplied in magazines for automatic insertion
 Long life model for low cost control potentiometer application
 Self Extinguishable Plastic UL94V-0

Physical Characteristics

Mechanical Angle: 235° +/- 5°
 Electrical Rotation angle: 200° +/-20%
 Torque: 0,2 to 2N-cm
 Stop Torque: ≥4N-cm
 Marking: resistance and date code
 Standard Packing 200pcs/Bag

Technical Dimensions Alternative to Piher 6mm



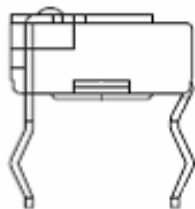
6mm THT Single-Turn Trimmer Type PT6V

X18001

Customer:

DRW:	Jason	CHKD	Jules	MATL:	Wu	DATE	06.09.2009
APPD:	Join			FINISH	Shieh	Sheet	1 from 3

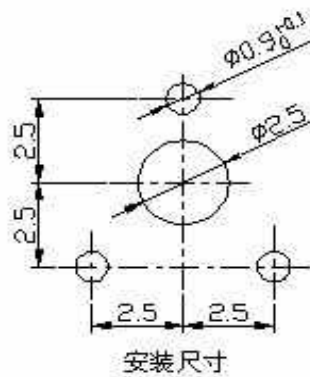
Copyright by EDCON-COMPONENTS H.Schmitt



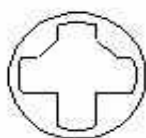
Range Code Table

PCB Layout

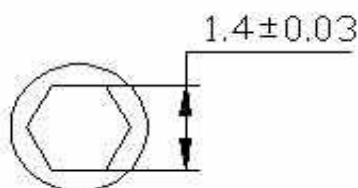
Ordering Code	Range
221	220Ω
331	330Ω
102	1,0KΩ
222	2,2KΩ
332	3,3KΩ
103	10KΩ
223	22KΩ
333	33KΩ
503	50KΩ
104	100KΩ
204	200KΩ
504	500KΩ
105	1,0MΩ
205	2,0MΩ
505	5,0MΩ



Rotor Style Variation



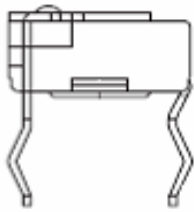
Style K



Style M

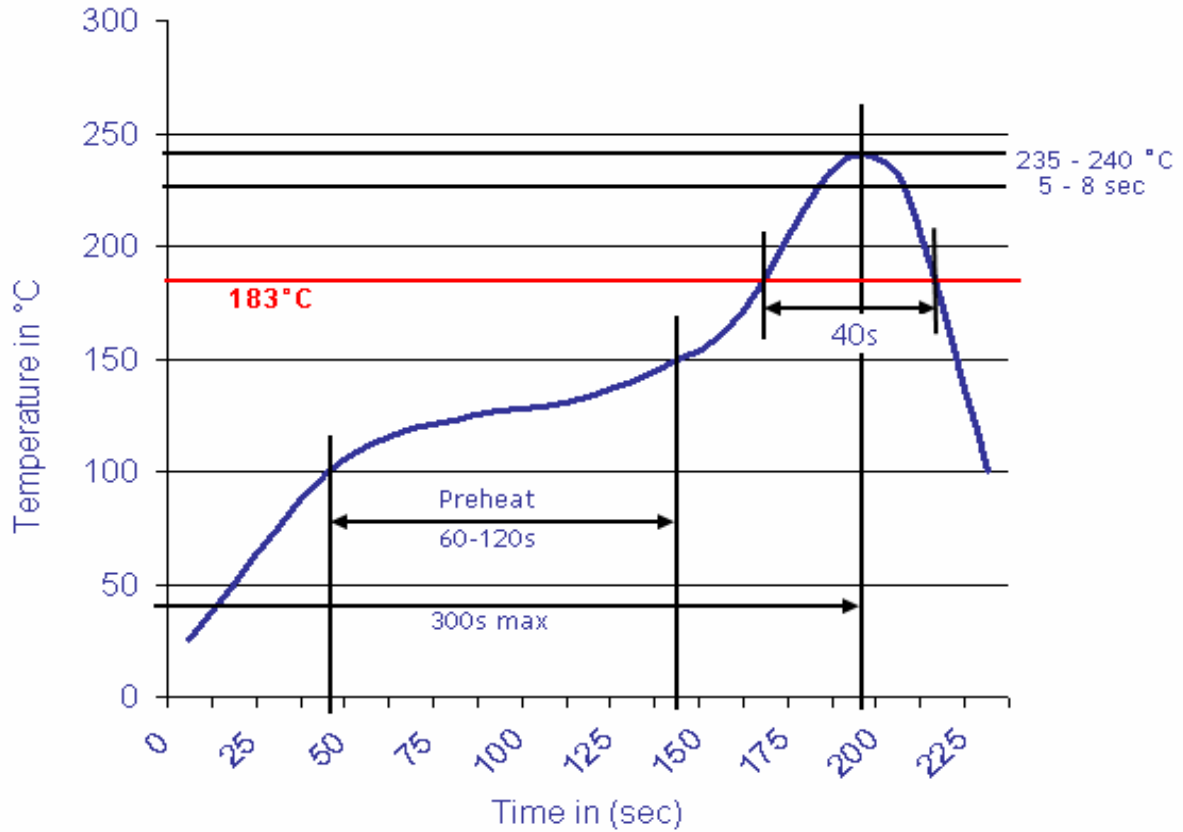
6mm THT Single-Turn Trimmer Type PT6V	
0	X18001
Customer:	

DRW:	Jason	CHKD	Jules	MATL:	Wu	DATE	06.09.2009
APPD:	Join			FINISH	Shieh	Sheet	2 from 3



Soldering Profile

Classification Reflow Profile (JEDEC J-STD-020C)



Ordering Information

Serie	Ordering Code	Tolerance	Curve/ Taper	Rotor for Axle	ROHS	Packing
X18001	101	M	A	K	R	BU201
	101= 100Ω	M= Tol. 20% N= Tol. 30%	A= Linear B= Logarithmisch C= Anti Logarithmisch	K= Cross Slot M= Digonal Slot	R= ROHS conform N=NON ROHS conform	BU201= Bulk-Ware 200PCS MA= Magazine

6mm THT Single-Turn Trimmer Type PT6V

0 X18001

Customer:

DRW:	Jason	CHKD	Jules	MATL:	Wu	DATE	06.09.2009
APPD:	Join			FINISH	Shieh	Sheet	3 from 3