

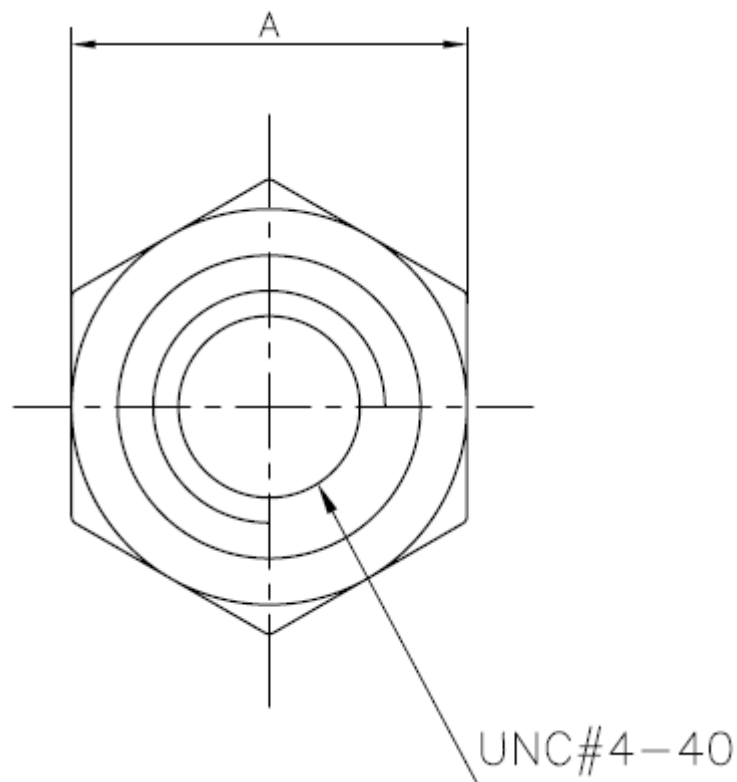
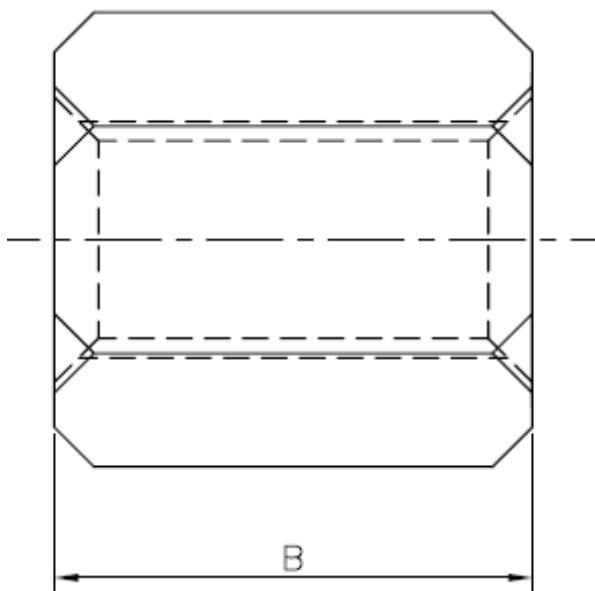
EDCON-COMPONENTS



Technical Discription

Parts	Material	Finish
Nut	Steel	
Plating		Nickel
Thread	UNC-4-40	

Drawing (mm)



Screw Assembly	
Part No.:	T24G700
Customer:	

DRW:	Jason	CHKD	Wilson	MATL:	Wilson	TOLERANCE	Mason	DATE	20.01.2011
APPD:	Schumi			FINISH	Jamy		Sheet No.	1 from 2	

EDCON-COMPONENTS



Ordering Informations

Terminal

Serie	Dim A	Dim B	Component Support	ROHS	Packing
T24G700	A	A	0	R	BU
	A= 4,70mm	A= 6,00mm	0=No special	R= ROHS Conform	BU= Bulk Ware
	B= 5,00mm			N= NON ROHS Conform	

Screw Assembly
Part No.: T24G700
Customer:

DRW:	Jason	CHKD	Wilson	MATL:	Wilson	TOLERANCE	Mason	DATE	20.01.2011
APPD:	Schumi			FINISH	Jamy		Sheet No.		2 from 2