

EDCON-COMPONENTS



Technical Discription

Contact Data

Contact Form:	1A / 1C
Contact Material:	Ag Alloy
Contact Ratings:	10A/240VAC / 10A/30VDC
Max. Switching Voltage:	250VAC / 110VDC
Max. Switching Current:	10A
Max. Switching Power:	2500VA / 300W
Initial Contact Resistance:	100m
Life Expectancy Electrical:	100.000 Operating (rated load)
Life Expectancy Mechanical:	10.000.000 Operating (no load)

General Data

Insulation Resistance:	1000M Ω Min @ 500VDC
Dielectric Strength Between Open Contacts	1000VAC 50~60Hz (1 minute)
Dielectric Strength Between Contacts and Coil	5000VAC 50~60Hz (1 minute)
Operate Time	15ms max.
Release Time	8ms max.
Ambient Temperature	. -30°C ~ +70°C
Shock Resistance (Malfunction)	10G
Shock Resistance (Destruction)	100G
Vibration Resistance	10~55Hz, 1,5mm double amplitude
Ambient humidity	20~85% RH
Weight	Approx 13gr.
Safety Standard	TÜV, CE, CQC

Contact Data

Rated Voltage VDC	Coil Resistance Ω ($\pm 10\%$)		Operating Voltage Max. VDC	Release Voltage Min. VDC	Applied Voltage Max. VDC
	0,53Watt	0,72Watt			
3	17	12,5	2,5	0,15	3,9
5	50	36	4	0,25	6,5
6	68	50	4,8	0,3	7,8
9	155	115	7,2	0,45	11,7
12	270	200	9,6	0,6	15,6
24	1100	820	19,2	1,2	31,2
48	4400	3300	38,4	2,4	62,4

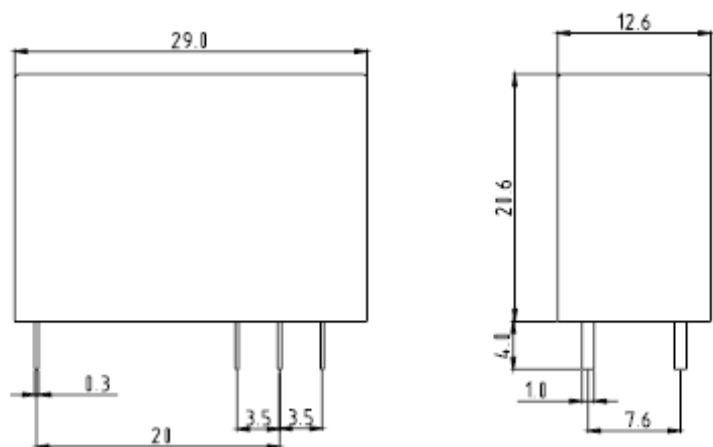
PCB Power Relay	
Part No.:	P12006
Customer:	

DRW:	Jason	CHKD	Wilson	MATL:	Wilson	TOLERANCE	Mason	DATE	01.11.2011
APPD:	Schumi			FINISH	Jamy		Sheet No.		1 from 4

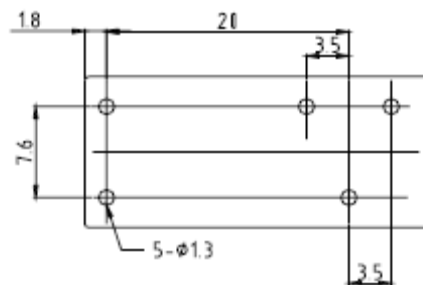
EDCON-COMPONENTS



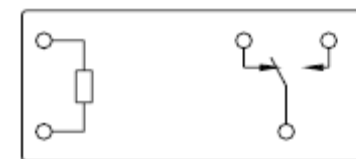
Drawing (mm)



Outline Dimension



PC Board layout
Bottom View



Wiring Diagramm
Bottom View

PCB Power Relay

Part No.: **P12006**

Customer:

DRW:	Jason	CHKD	Wilson	MATL:	Wilson	TOLERANCE	Mason	DATE	01.11.2011
APPD:	Schumi			FINISH	Jamy		Sheet No.	2 from 4	

EDCON-COMPONENTS



Ordering Informations

Serie	Voltage Code	Voltage Type	Coil Power	Enclosure Code	Contact Form	Contact Material	ROHS	Packing		
-------	--------------	--------------	------------	----------------	--------------	------------------	------	---------	--	--

P12006	005	D	1	A	1C	A	R	TU		
---------------	------------	----------	----------	----------	-----------	----------	----------	-----------	--	--

003= 3 Volt	D= DC Voltage	1= 0,53 Watt	A= Sealed	1C= Form 1C	A= Silver Alloy	R= ROHS Conform	TU= Tube Packing
005= 5 Volt		2= 0,72 Watt	D= Dust Proof	1A= Form 1A			
006= 6 Volt							TY= Tray Packing
009= 9 Volt							
012= 12Volt							
024= 24Volt							
048= 48Volt							

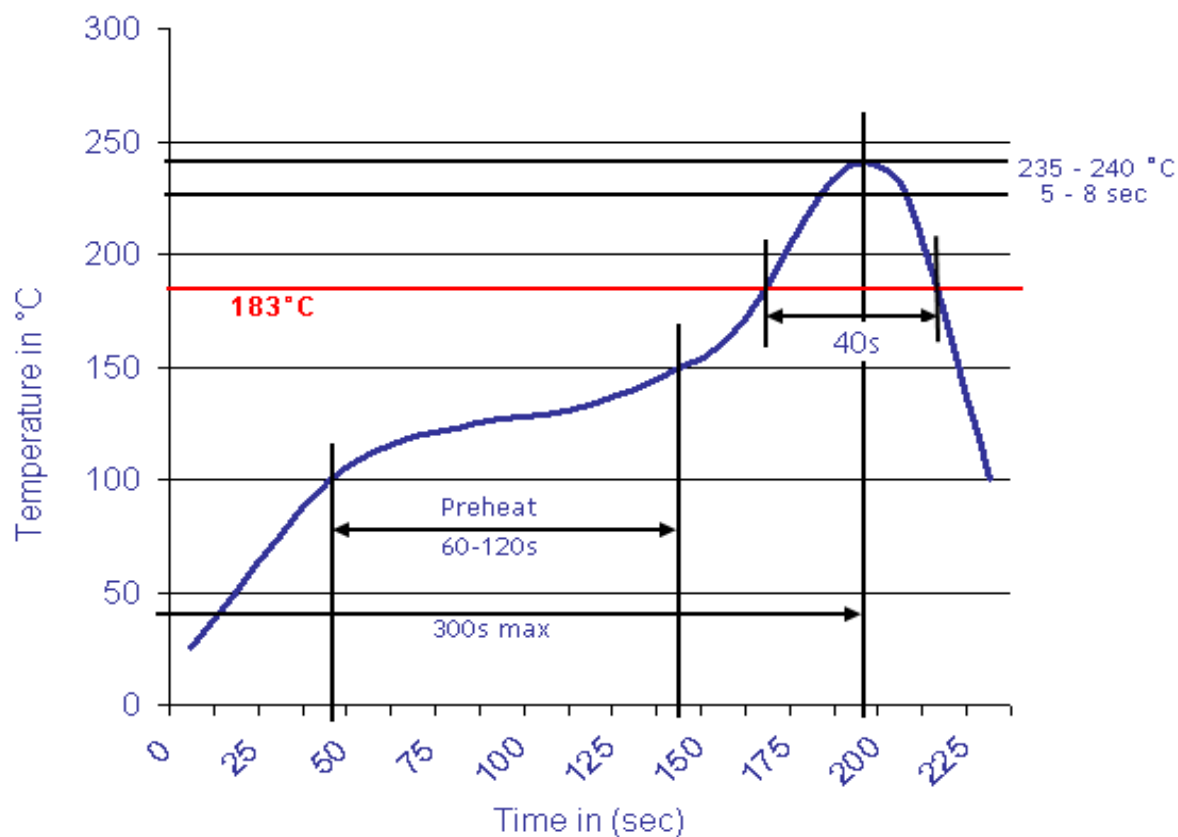
PCB Power Relay	
Part No.:	P12006
Customer:	

DRW:	Jason	CHKD	Wilson	MATL:	Wilson	TOLERANCE	Mason	DATE	01.11.2011
APPD:	Schumi			FINISH	Jamy		Sheet No.		3 from 4



Soldering Profile Curve

Classification Reflow Profile (JEDEC J-STD-020C)



PCB Power Relay	
Part No.:	P12006
Customer:	

DRW:	Jason	CHKD	Wilson	MATL:	Wilson	TOLERANCE	Mason	DATE	01.11.2011
APPD:	Schumi			FINISH	Jamy		Sheet No.	4 from 4	