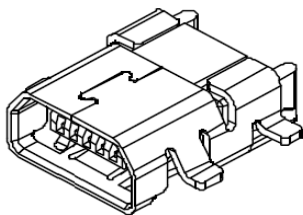


# EDCON-COMPONENTS



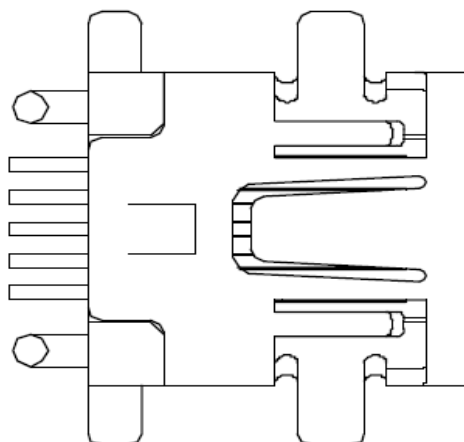
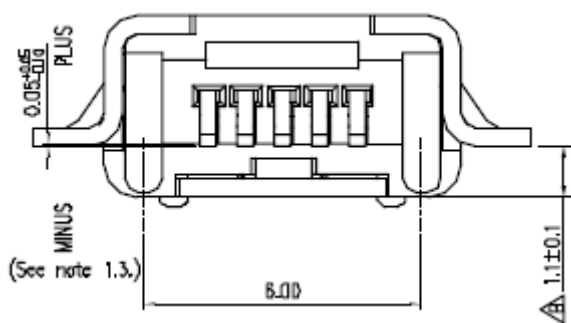
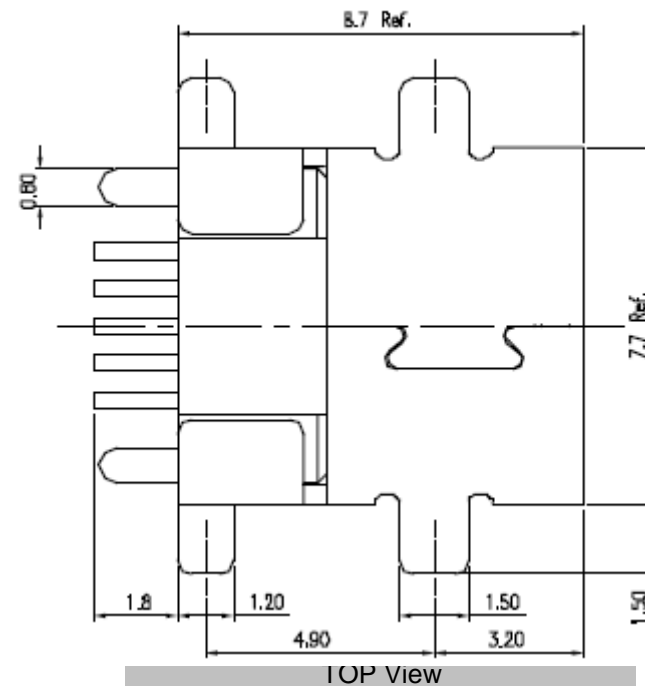
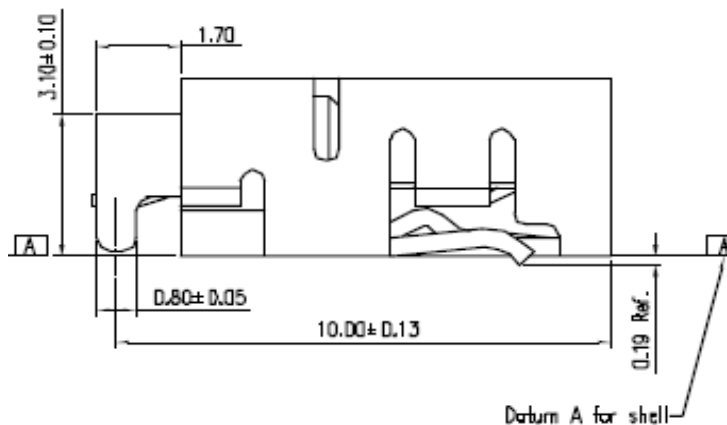
## Specifications

Voltage Rating: 100 VAC  
 Current Rating: 0,8A max.  
 Operating Temperature: - 30°C to + 80°C  
 Contact Resistance: 50m Ohm max.  
 Withstanding Voltage: 500VAC min.  
 Insulation Resistance: >100M Ohm min.  
 Contact Thickness: 0,15mm

### Material:

Insulator : look order code  
 Color: look order code  
 Contact Material: look order code  
 Contact Type: Stamped  
 Contact Plating: look order code  
 Shielding: look order code  
 Lifetime: 1500 cycles

## Drawing ( dimensions all into mm)



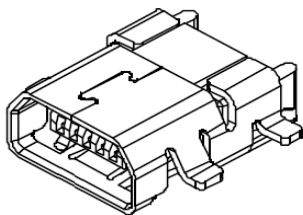
Bottom View

**SMT Mini AB USB Connector  
Reverse Low profile**

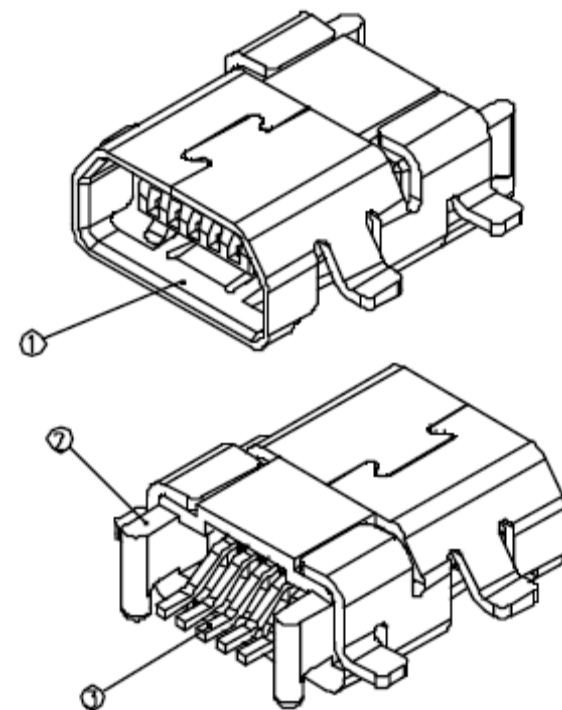
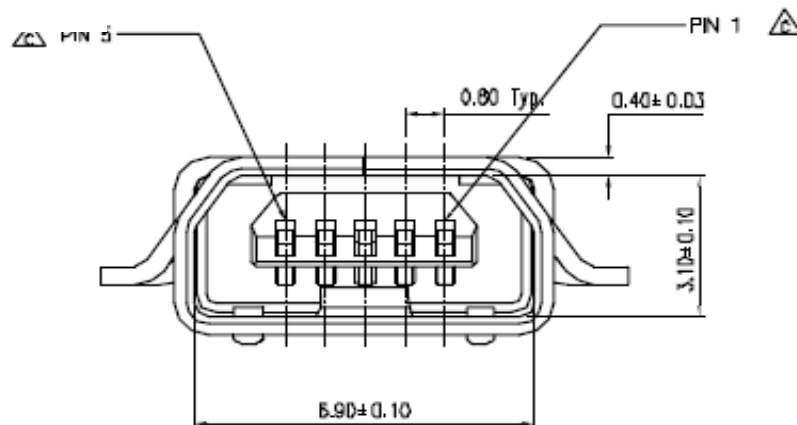
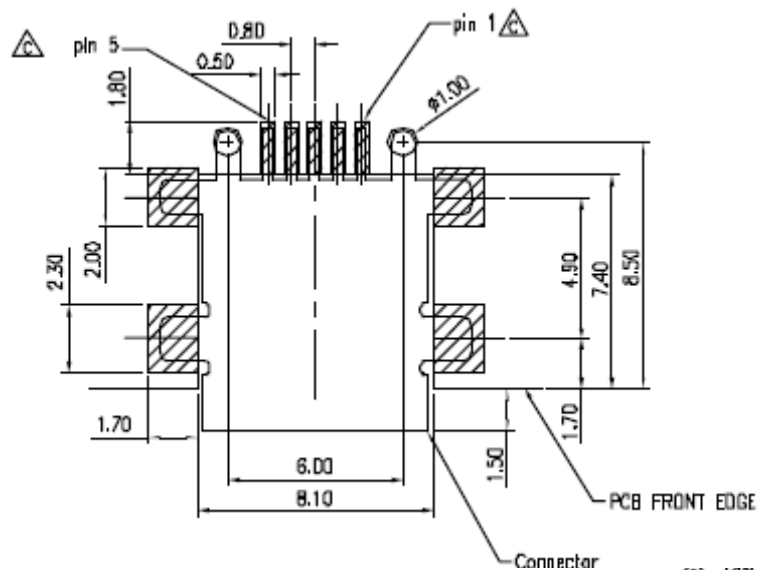
Part No.: **T64029**

DRW:	Jason	CHKD	Wilson	MATL:	Wilson	TOLERANCE	Mason	DATE	05.01.2019
APPD:	Schumi			FINISH	Jamy		Sheet No.	1 from 4	Customer:

# EDCON-COMPONENTS



## PCB Layout



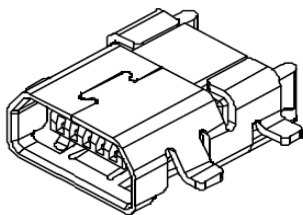
**SMT Mini AB USB Connector  
Reverse Low profile**

Part No.: **T64029**

Customer:

DRW:	Jason	CHKD	Wilson	MATL:	Wilson	TOLERANCE	Mason	DATE	05.01.2019
APPD:	Schumi			FINISH	Jamy		Sheet No.	2 from 4	

# EDCON-COMPONENTS

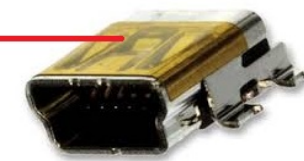


## Ordering Informations

Serie	Color Inside	Shell Material	Insulator Material	Contact Material	Contact Plating	Special function	Packing	Packing		
<b>T64029</b>	<b>BK</b>	<b>CA</b>	<b>P</b>	<b>CA</b>	<b>G0</b>	<b>0</b>	<b>R</b>	<b>TR</b>		

<b>BK=</b> Black Color	<b>CA=</b> Copper Alloy	<b>PA=</b> PA 6T	<b>CA=</b> Copper Alloy	<b>G0=</b> Gold Flash (Standard)	<b>0=</b> No Special function	<b>R=</b> ROHS conform	<b>BU=</b> Bulk Ware
	<b>I=</b> Iron			<b>G1=</b> 3μ Gold			
	<b>S=</b> Stainless Steel	<b>G1=</b> 5μ Gold	<b>TR=</b> Tape / Reel w. Pic and Place Foil				
		<b>G1=</b> 10μ Gold					
		<b>G1=</b> 15μ Gold					
				<b>G1=</b> 30μ Gold			<b>IV=</b> Individual Packing

**PIC and PLACE FOIL** for automatic assembly machine

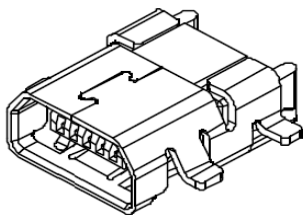


**SMT Mini AB USB Connector  
Reverse Low profile**

Part No.: **T64029**

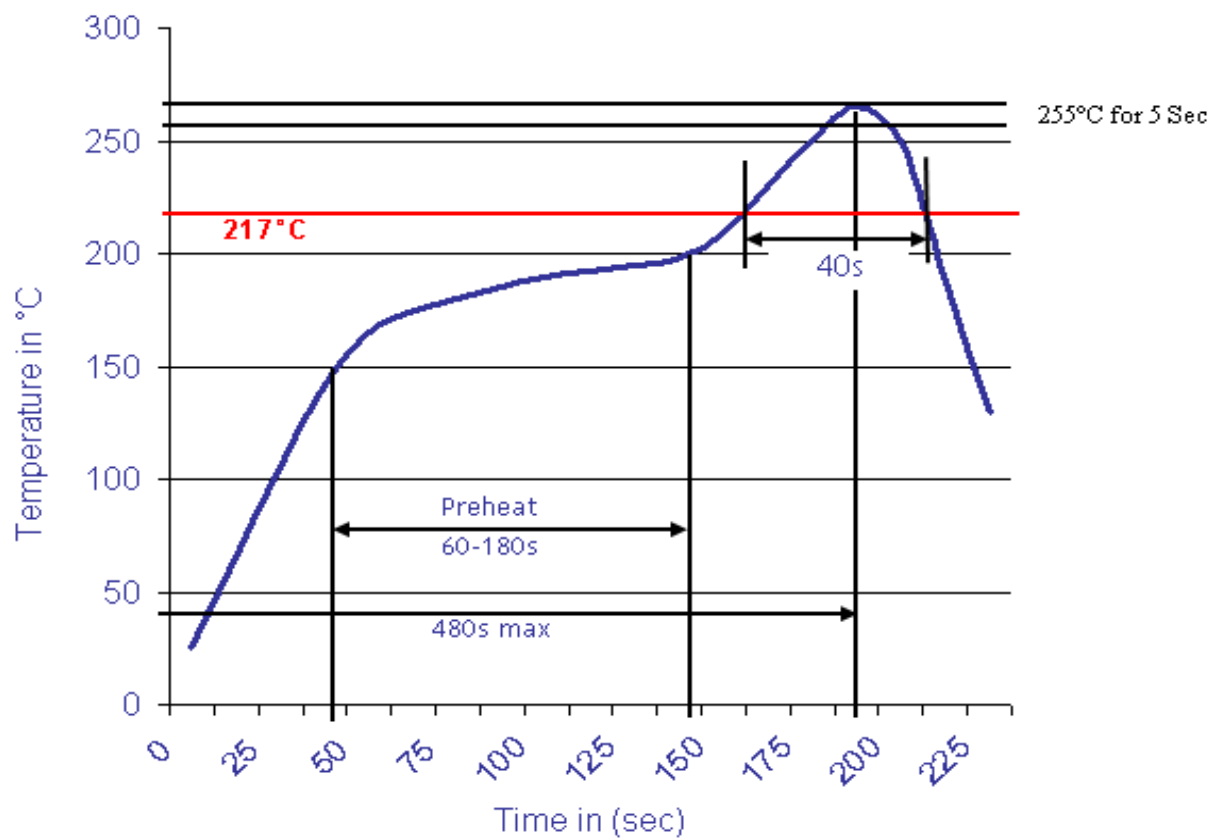
DRW:	Jason	CHKD	Wilson	MATL:	Wilson	TOLERANCE	Mason	DATE	05.01.2019
APPD:	Schumi			FINISH	Jamy		Sheet No.		3 from 4

Customer:



Soldering Profile Curve

Classification Reflow Profile (JEDEC J-STD-020C)



SMT Mini AB USB Connector  
Reverse Low profile

Part No.: **T64029**

Customer:

DRW:	Jason	CHKD	Wilson	MATL:	Wilson	TOLERANCE	Mason	DATE	05.01.2019
APPD:	Schumi			FINISH	Jamy		Sheet No.	4 from 4	