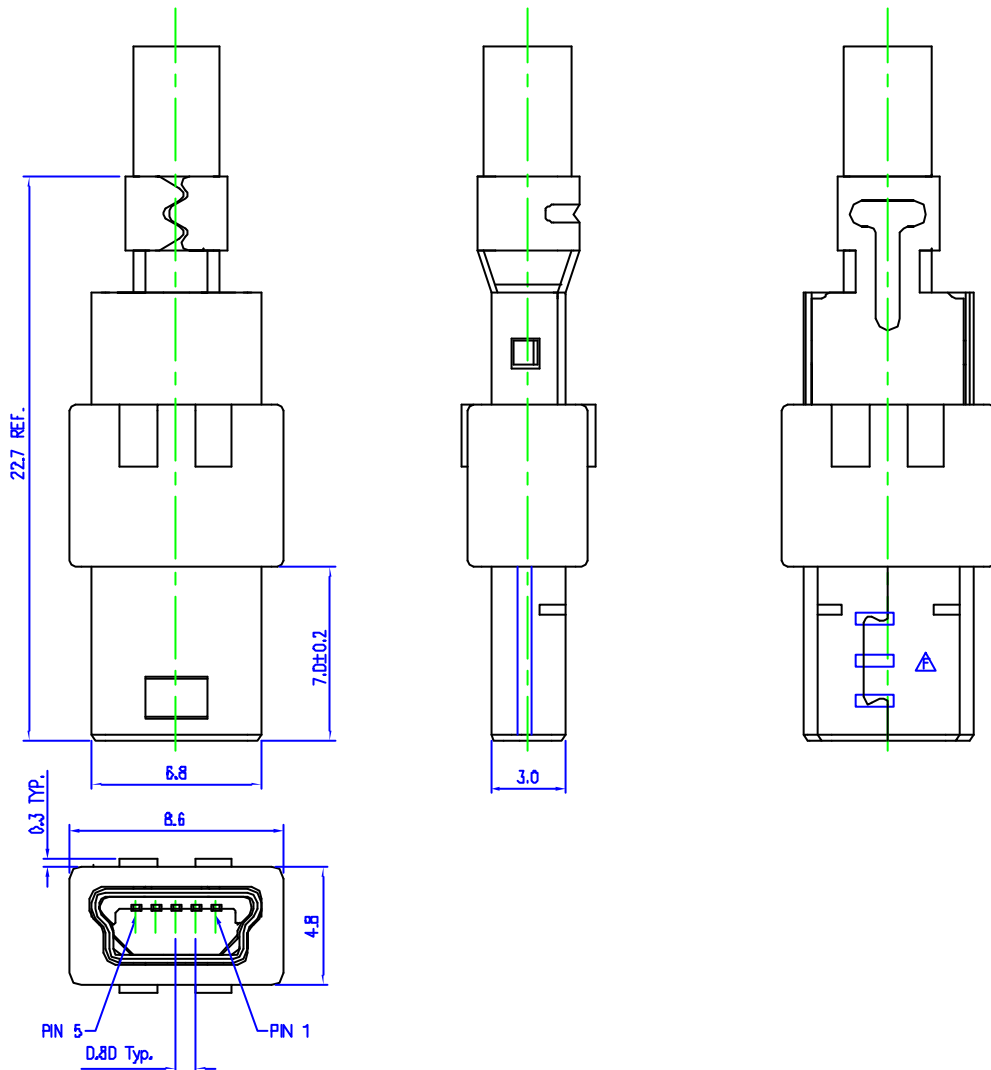


1**2****3****4****5****6****7****8**

REV.	EC#	DESCRIPTION	DATE	DRAWN	CHECKED	APPROVED
H	SZECR-03489	△ X1	09/06/03	HCNG	~	TDM

NOTES :

1.D. OTHERS :

1.1. RECOMMENDED CABLE APPLICATION :
OUTTER DIAMETER APPLICABLE RANGE : $\phi 3.4\text{mm}$

1.2. ALL PARTS PACKAGED UNASSEMBLED

1.3. PRODUCT NUMBERING CODE: REFER TO TABLE A

TABLE A : PART NUMBERING CODE

△ MNC10 - 5 * * * 1 *

① ② ③ ④ ⑤ ⑥ ⑦

① PRODUCT:

MNC10 : MINI USB MINI-B PLUG, 5 POSITIONS
SOLDER TYPE SLEEVE, OVERMOLD HARDWARE KITS

② POSITIONS:

5: 5 POSITIONS

③ COLOR OF INSULATOR:

K: BLACK

△ W: WHITE

④ CONTACT PLATING:

5: Au 30U³

⑤ SHELL PLATING:

2 : NICKEL PLATED(FRONT & BACK SHELL)


△ ⑥ CONTACT SOLDERING :

1 : 4 PINS

⑦ COLOR OF SLEEVE :

K : BLACK

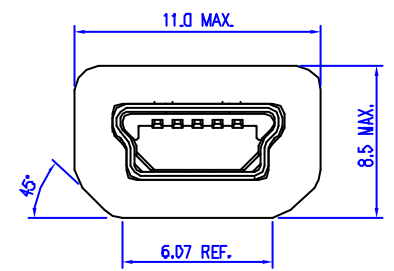
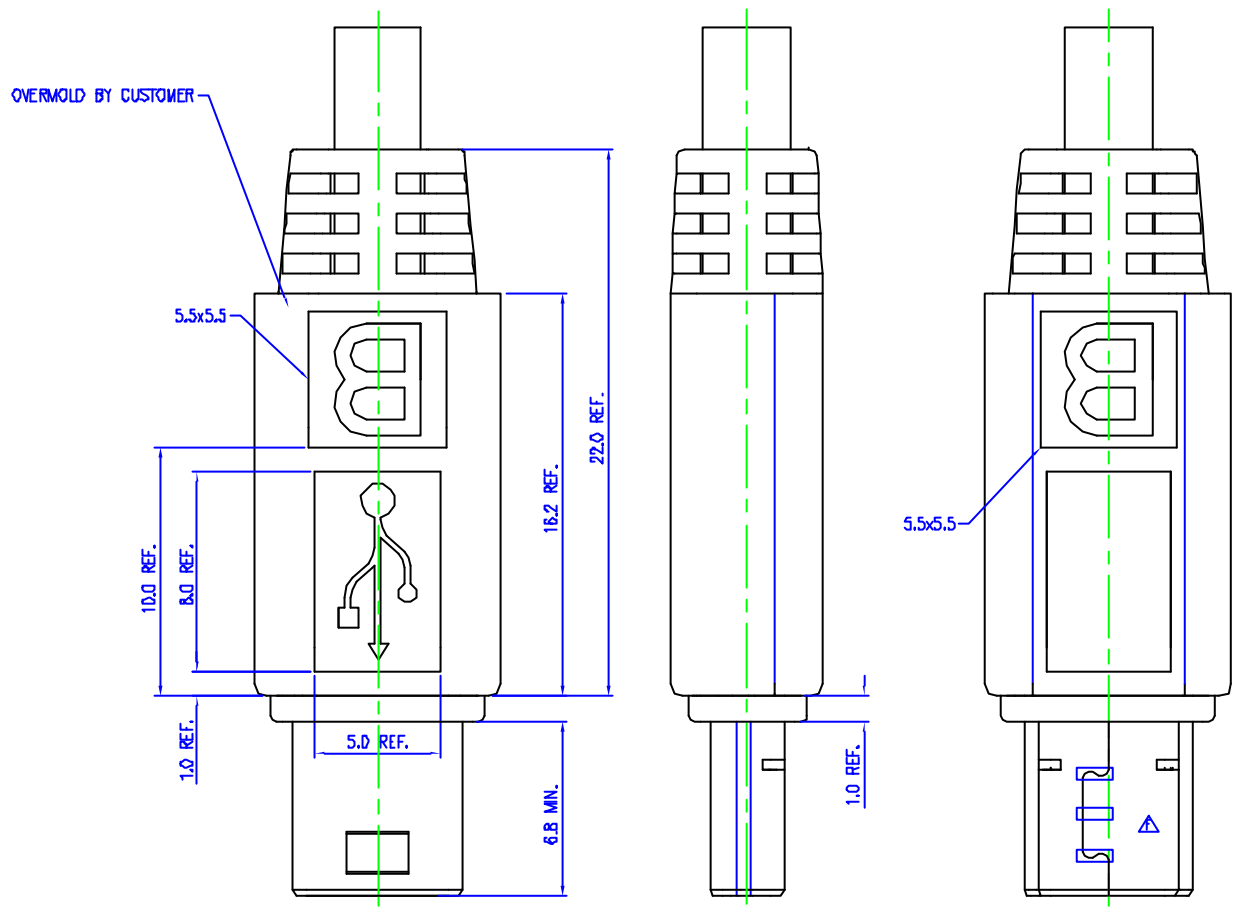
△ a : FULL TRANSPARENT

4	HOUSING WITH CONTACT	1	MNC10-5K5010	
3	SLEEVE	1	I-MNC10-26K00	
2	BACK SHELL	1	S-MNC10-ES200	
1	FRONT SHELL	1	S-MNC10-FS200	
ITEM		NAME	QTY	PART#
MATERIAL / FINISH				
FILED	DATE	BY	DATE	 ADVANCED-CONNECTEK INC.
GENERAL	09/22/00	Stanly	09/22/00	
DESIGNED	08/20	RESIN	08/20	FILE STEVE OVERMOLD HARDWARE KITS, MINI USB MINI-B PLUG, 5 POSITIONS SOLDER TYPE(CUSTOMER DRAWING)
APPROVED	04/20/00	MAX	04/20/00	
ASSEMBLED	DATE	BY	DATE	SERIES MNC10 SERIES SIZE A3
REALS	09/26/00	MAX	09/26/00	
SHEET	1	OF	4	SERIES MNC10 SERIES SIZE A3 FILE NO. C-MNC10-00-00 REV. H
APPROVED	DATE	BY	DATE	
		J. CHEN	09/26/00	
UNIT	PI IN	CUSTOMER DRAWING		

This document and information contained herein are the property of Advanced Connectek Inc., copies are issued in strict confidence and shall not be reproduced or copied, or used as the basis of manufacture or sale of apparatus without permission

1 2 3 4 5 6 7 8

A
B
C
D
E
F

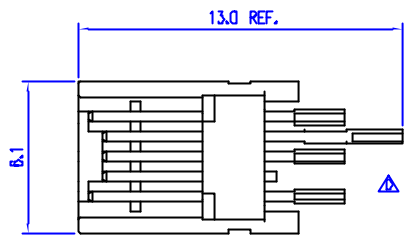


FILED/ISSUED/REVISED GENERAL: JL 08/25/09 JL 08/25/09 JSC 08/26/09 JSC 08/26/09 XJ 08/26/09 JSC 08/26/09	DRAWN: Stanly DATE: 09/22/00* CHECKED: MAX DATE: 04/20/00* APPROVED: MAX DATE: 09/26/00* APPROVED: J. CHEN DATE: 09/26/00*	ADVANCED-CONNECTEK INC. FILE: STEEVE OVERMOLD HARDWARE KITS, MINI USB MINI-B PLUG, 5 POSITIONS SOLDER TYPE(CUSTOMER DRAWING) SERIES: MNC10 SERIES REV: A3 PART NO.: C-MNC10-00-00 REV: H
SHEET 2 OF 4 UNIT: M/M	CUSTOMER DRAWING	

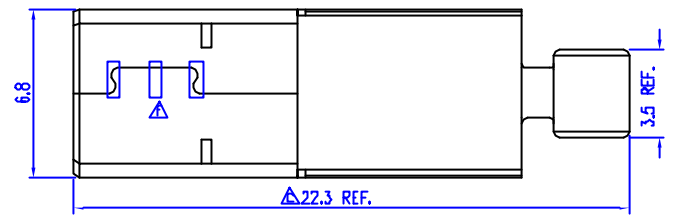
This document and information contained herein are the property of Advanced Connectek Inc., copies are issued in strict confidence and shall not be reproduced or copied, or used as the basis of manufacture or sale of apparatus without permission

1 2 3 4 5 6 7 8

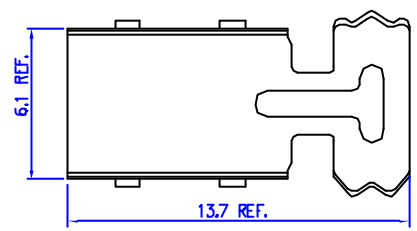
A
B
C
D
E
F



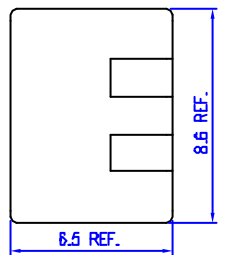
HOUSING WITH CONTACT	2	WHITE	MNC10-5W5010	C-MNC10-02-00
	1	BLACK	MNC10-5K5010	
PART NAME	QTY/EA	COLOR	PART NUMBER	DRAWING NO.




FRONT SHELL	1	NICKEL	S-MNC10-F5200	CS-MNC10-00-00
PART NAME	QTY/EA	FINISH	PART NUMBER	DRAWING NO.



BACK SHELL	1	NICKEL	S-MNC10-B52D1	CS-MNC10-D1-00
		NICKEL	S-MNC10-B52D0	CS-MNC10-D1-00
PART NAME	QTY/EA	FINISH	PART NUMBER	DRAWING NO.



SLEEVE	2	FULL TRANSPARENT	I-MNC10-25aD0	CI-MNC10-00-00
	1	BLACK	I-MNC10-25K0D	
PART NAME	QTY/EA	COLOR	PART NUMBER	DRAWING NO.

<table border="1"> <tr> <td>FILED/SPACE SAVED</td> <td>DATE</td> </tr> <tr> <td>BY</td> <td>09/22/00*</td> </tr> <tr> <td>GENERAL</td> <td>Starly</td> </tr> <tr> <td>DATE</td> <td>09/22/00*</td> </tr> <tr> <td>BY</td> <td>RESIN</td> </tr> <tr> <td>DATE</td> <td>04/20/00*</td> </tr> <tr> <td>MAX</td> <td>04/20/00*</td> </tr> <tr> <td>AMILES</td> <td>DATE</td> </tr> <tr> <td>X1</td> <td>09/26/00*</td> </tr> <tr> <td>X2</td> <td>09/26/00*</td> </tr> <tr> <td>X3</td> <td>09/26/00*</td> </tr> <tr> <td>X4</td> <td>09/26/00*</td> </tr> <tr> <td>X5</td> <td>09/26/00*</td> </tr> </table>	FILED/SPACE SAVED	DATE	BY	09/22/00*	GENERAL	Starly	DATE	09/22/00*	BY	RESIN	DATE	04/20/00*	MAX	04/20/00*	AMILES	DATE	X1	09/26/00*	X2	09/26/00*	X3	09/26/00*	X4	09/26/00*	X5	09/26/00*	 <p>ADVANCED-CONNECTEK INC.</p>
FILED/SPACE SAVED	DATE																										
BY	09/22/00*																										
GENERAL	Starly																										
DATE	09/22/00*																										
BY	RESIN																										
DATE	04/20/00*																										
MAX	04/20/00*																										
AMILES	DATE																										
X1	09/26/00*																										
X2	09/26/00*																										
X3	09/26/00*																										
X4	09/26/00*																										
X5	09/26/00*																										
<table border="1"> <tr> <td>SCALE</td> <td>5 : 1</td> </tr> <tr> <td>SHEET</td> <td>3 OF 4</td> </tr> <tr> <td>DATE</td> <td>09/26/00*</td> </tr> <tr> <td>APPROVED</td> <td>J. CHEN</td> </tr> <tr> <td>DATE</td> <td>09/26/00*</td> </tr> </table>	SCALE	5 : 1	SHEET	3 OF 4	DATE	09/26/00*	APPROVED	J. CHEN	DATE	09/26/00*	<table border="1"> <tr> <td>FILE</td> <td>STEEVE OVERMOLD HARDWARE KITS, MINI USB MINI-B PLUG, 5 POSITIONS SOLDER TYPE(CUSTOMER DRAWING)</td> </tr> <tr> <td>SERIES</td> <td>MNC10 SERIES</td> </tr> <tr> <td>SIZE</td> <td>A3</td> </tr> <tr> <td>DWG NO.</td> <td>C-MNC10-00-00</td> </tr> <tr> <td>REV</td> <td>H</td> </tr> </table>	FILE	STEEVE OVERMOLD HARDWARE KITS, MINI USB MINI-B PLUG, 5 POSITIONS SOLDER TYPE(CUSTOMER DRAWING)	SERIES	MNC10 SERIES	SIZE	A3	DWG NO.	C-MNC10-00-00	REV	H						
SCALE	5 : 1																										
SHEET	3 OF 4																										
DATE	09/26/00*																										
APPROVED	J. CHEN																										
DATE	09/26/00*																										
FILE	STEEVE OVERMOLD HARDWARE KITS, MINI USB MINI-B PLUG, 5 POSITIONS SOLDER TYPE(CUSTOMER DRAWING)																										
SERIES	MNC10 SERIES																										
SIZE	A3																										
DWG NO.	C-MNC10-00-00																										
REV	H																										
<p>CUSTOMER DRAWING</p>																											

This document and information contained herein are the property of Advanced Connectek Inc., copies are issued in strict confidence and shall not be reproduced or copied, or used as the basis of manufacture or sale of apparatus without permission

1

2

3

4

5

6

7

8

A

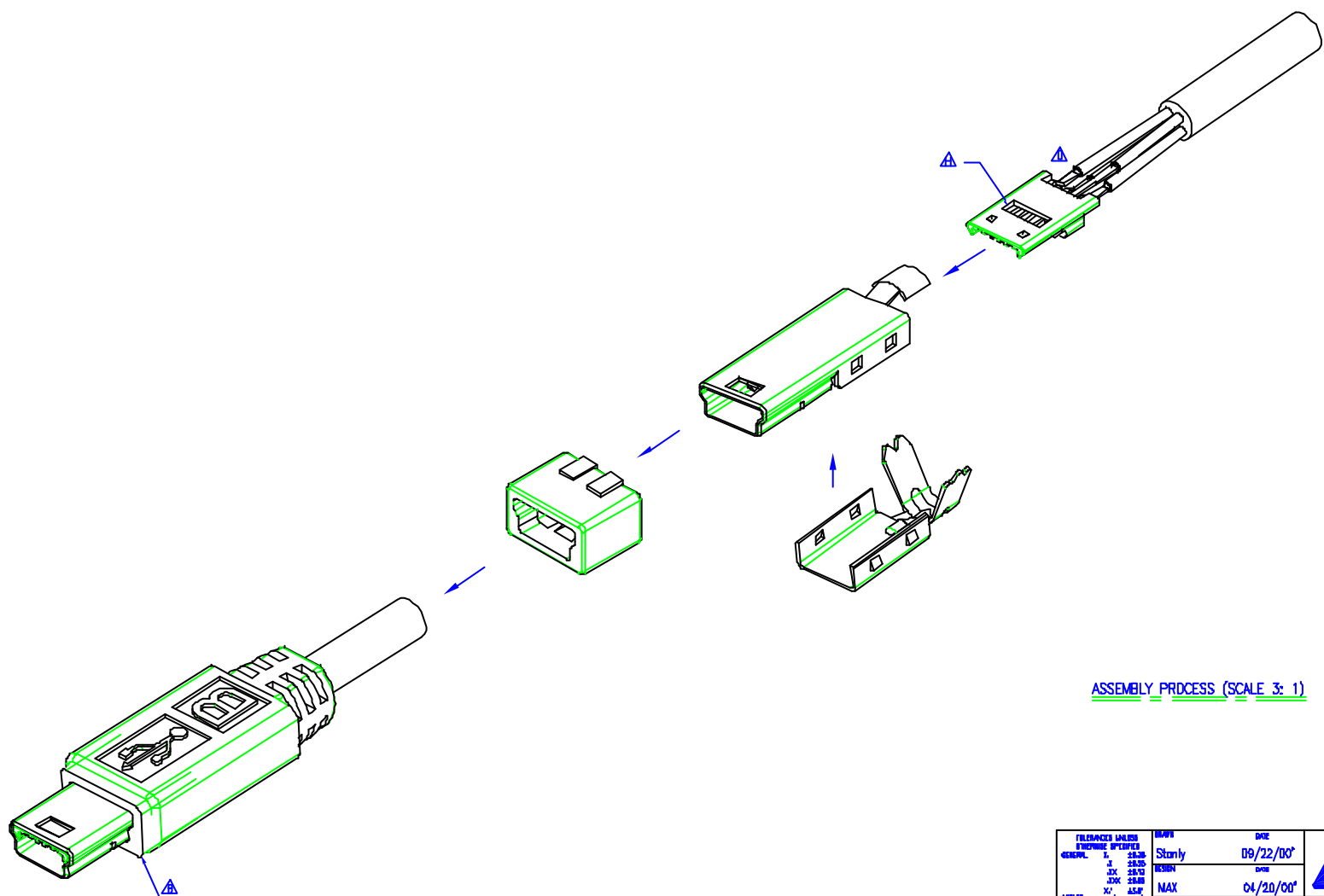
B

C


D

E

F



ASSEMBLY PROCESS (SCALE 3: 1)

FILED/ISSUED	DATE	 ACON ADVANCED-CONNECTEK INC.
GENERAL	DATE	
DESIGNED BY	DATE	FILE STEVE OVERMOLD HARDWARE KITS, MINI USB MINI-B PLUG, 5 POSITIONS SOLDER TYPE(CUSTOMER DRAWING)
DESIGNED BY	DATE	
DESIGNED BY	DATE	SERIES NMC10 SERIES SIZE A3
DESIGNED BY	DATE	
DESIGNED BY	DATE	REV H
DESIGNED BY	DATE	
DESIGNED BY	DATE	PART NO. C-MNC10-00-00

This document and information contained herein are the property of Advanced Connectek Inc., copies are loaned in strict confidence and shall not be reproduced or copied, or used as the basis of manufacture or sale of apparatus without permission.