

# EDCON-COMPONENTS



## Technical Discription

## Drawing (Dimension in mm)

### Electrical

Rated Voltage	250Volt (AC)
Rated Current	16A
Wire Range	1,0 ~ 2,5mm <sup>2</sup>
Contact Resistance	20m Ω
Withstanding Voltage	1,6KV
Insulation Resistance	5000MmΩ / 1000V

### Mechanical

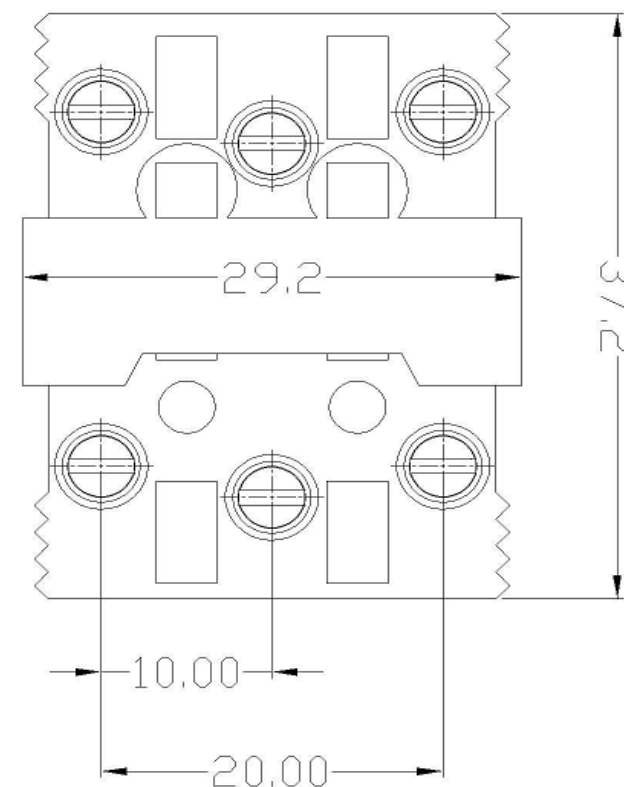
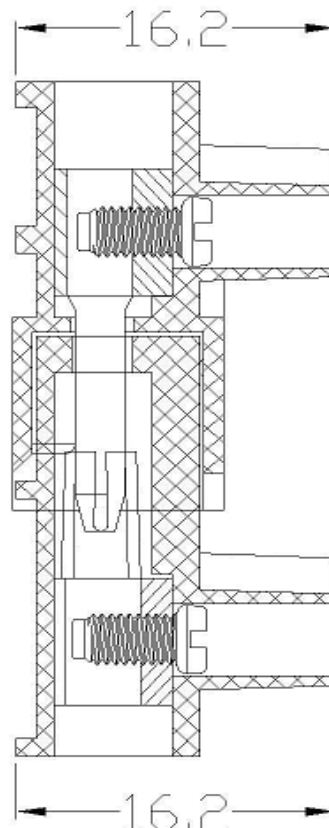
Operating Temperature	-40°C ~ +105°C
Wire Strip Length	6-7mm
Screw Torque	3,5
Screw Size	M2,5

### Dimensions

Pitch	10mm
Poles	3 Pos.

### Materials

Housing	PA66, UL94V-0
Pin	Brass Tin Plated
Screw	Fe Ni-plated



### Pluggable Motor Terminal Block 3Pos.

Part No.: **A35003**

Customer:

DRW:	Jason	CHKD	Wilson	MATL:	Wilson	TOLERANCE	Mason	DATE	22.09.2012
APPD:	Schumi			FINISH	Jamy		Sheet No.		1 from 3

# EDCON-COMPONENTS



**Pluggable Motor Terminal Block 3Pos.**

Part No.: **A35003**

Customer:


DRW:	Jason	CHKD	Wilson	MATL:	Wilson	TOLERANCE	Mason	DATE	22.09.2012
APPD:	Schumi			FINISH	Jamy		Sheet No.	2 from 3	



**Ordering Informations**

Serie	No. of Pos.	Body Color	Screw Type	ROHS	Packing	EDCON Cust. No.	Customer Version			
-------	-------------	------------	------------	------	---------	-----------------	------------------	--	--	--

<b>A35003</b>	<b>03</b>	<b>BK</b>	<b>A</b>	<b>R</b>	<b>BU</b>	<b>xxxxxx</b>	<b>xxx</b>			
---------------	-----------	-----------	----------	----------	-----------	---------------	------------	--	--	--

<b>03=</b> Number of Pos.		<b>A=</b> Slotted Screw Type (Standard) 	<b>R=</b> ROHS Conform <b>N=</b> NON ROHS Conform	<b>BU=</b> Bulk-Ware <b>IV=</b> Individual Package	<b>xxxxxx=</b> Customer Number	<b>xxx=</b> Customer Version ??(Printing)
	<b>BK=</b> Black					

<b>Pluggable Motor Terminal Block 3Pos.</b>	
Part No.:	<b>A35003</b>
Customer:	

DRW:	Jason	CHKD	Wilson	MATL:	Wilson	TOLERANCE	Mason	DATE	22.09.2012
APPD:	Schumi			FINISH	Jamy		Sheet No.		3 from 3