



**STAR ALLIANCE TECHNOLOGIES Home and Building Applications**



**FEATURES:**

- **POWER LED**                      3.0 Watt
- **Base / Socket:**                E14
- **More than 50,000 hours**
- **Low heat, no UV or IR light radiation**
- **Homogeneous flood illumination, no halo-ring effect**
- **3 Watt version can achieve directional light output equal to 30 Watt halogen lamp**
- **Consume 80% less power than halogen lamp**
  - **Reverse polarity protection**
  - **Safety Standard CE and ROHS**
- **1 Year limited warranty look at page no. 7**
- **Works with 110~240V AC lighting systems**

**Applications:**

- **Landscape Accent / Spot lighting**
- **Architectural Lighting**
- **Display Case Accent**
- **Artwork Lighting**
- **Mood Lighting / General lighting**
- **Amusement Park Accent**

STAR ALLIANCE TECHNOLOGIES  
 Home & Building Applications

CHKD	Wilson					MATL:	Scott	27.04.2008
						FINISH	Jamy	
DRW:	Hannsi		TOLERANCE	Wurmeier	DATE			
APPD:	Berholt			Sheet No. 1 from 7		Part No.:	1210068	



**STAR ALLIANCE TECHNOLOGIES Home and Building Applications**

**Product Specifications**

<b>Light Source:</b>	1 x 3.0 Watt Cree XRE power LED
<b>Optics:</b>	Optical grade PC lens
<b>Lens Diameter:</b>	28 mm
<b>Beam Angle:</b>	60° ( Wide Spot )
<b>Rendering Index:</b>	> 70 ( for cool white color )
<b>Total Length:</b>	70.0 mm ( including base )
<b>Weight:</b>	52 g
<b>Housing:</b>	Molded aluminum with chrome, 5 cm ( 2" ) diameter
<b>Base:</b>	E14
<b>Dimmability:</b>	not dimmable

**Environmental Specifications**

<b>Temperature Range:</b>	Ambient: -20°C to 40°C, Surface of Lamp 60°C to 70°C
<b>Humidity Range:</b>	0 to 95% non-condensing humidity

**Electrical Specifications**

<b>Voltage Requirement:</b>	110~240V AC
<b>Power Consumption:</b>	≤ 3.6 W
<b>Power Factor:</b>	≥ 0.6

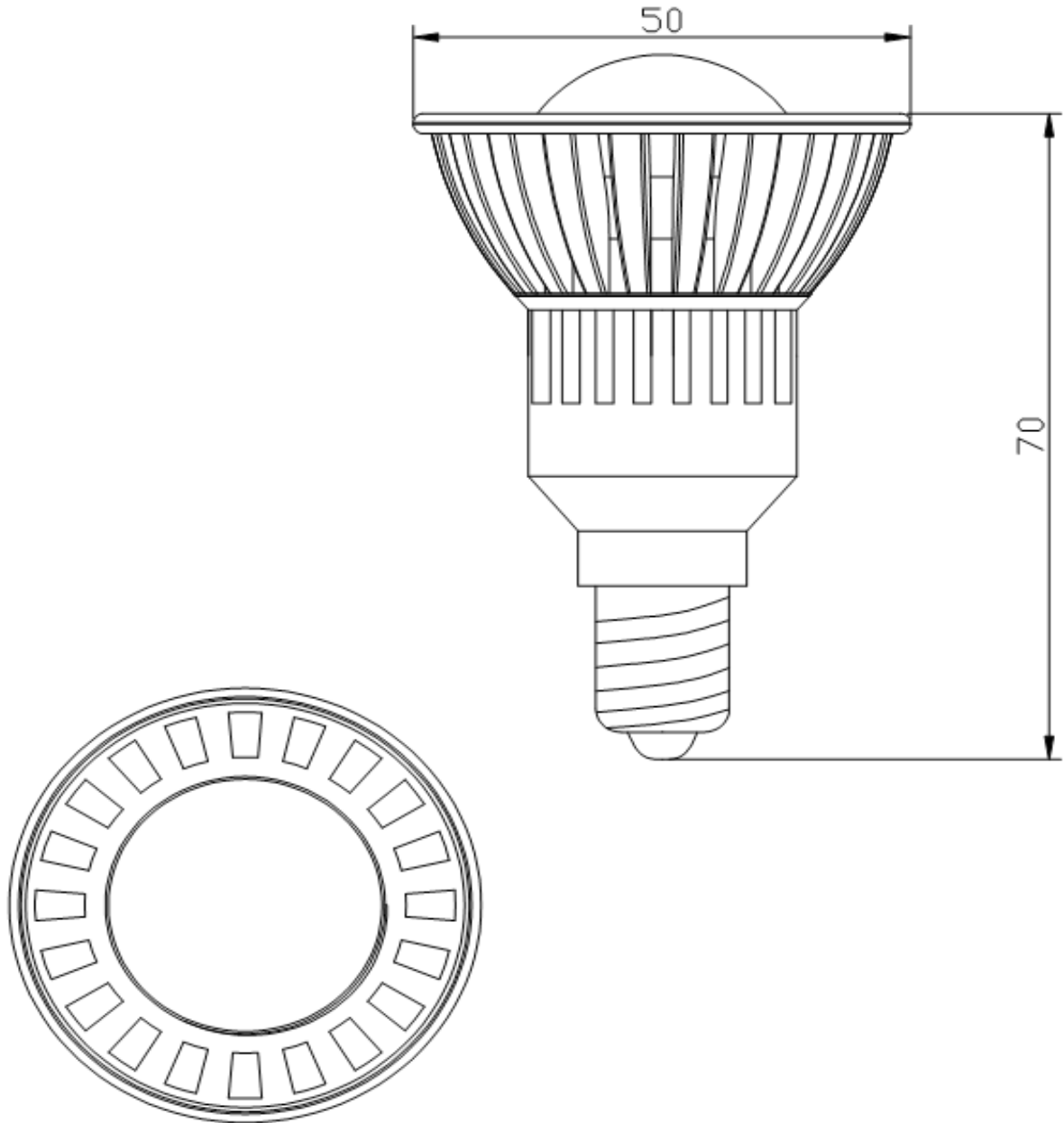
STAR ALLIANCE TECHNOLOGIES  
 Home & Building Applications

CHKD	Wilson					MATL:	Scott	27.04.2008			
						FINISH	Jamy				
DRW:	Hannsi		TOLERANCE	Wurmeier	DATE						
APPD:	Berholt				Sheet No. 2 from 7	Part No.:					1210068



**STAR ALLIANCE TECHNOLOGIES Home and Building Applications**

**Technical Drawing (mm)**



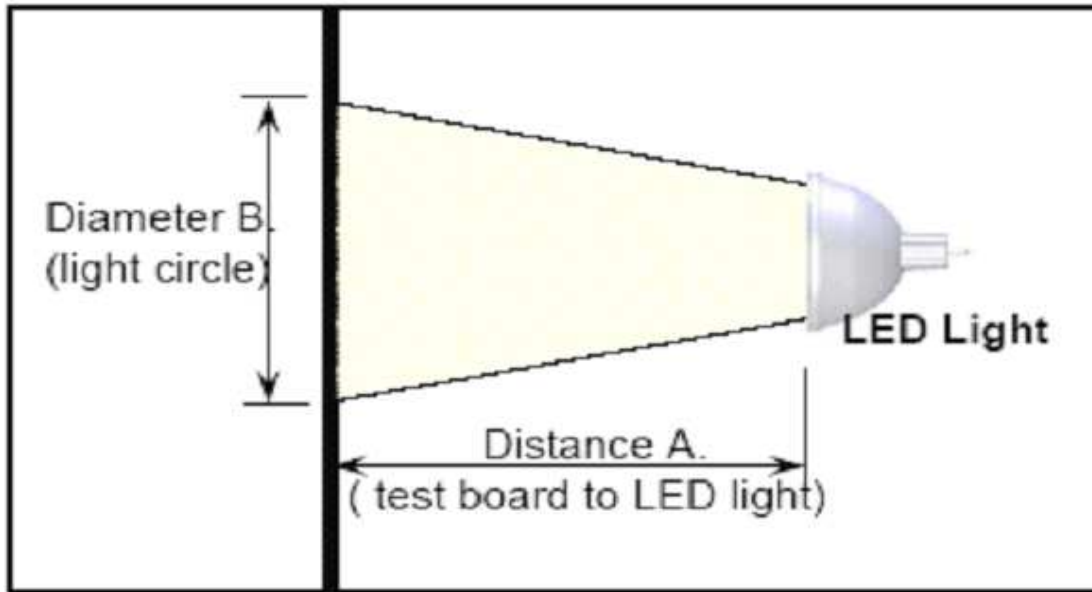
STAR ALLIANCE TECHNOLOGIES  
 Home & Building Applications

CHKD	Wilson					MATL:	Scott	27.04.2008
						FINISH	Jamy	
DRW:	Hanski		TOLERANCE	Wurmeier	DATE			
APPD:	Berholt			Sheet No. 3 from 7		Part No.:	1210068	



**STAR ALLIANCE TECHNOLOGIES Home and Building Applications**

**Illumination Characteristics ( T = 25°C )**



Distance		3W Typical Illuminanced Measured at Center of Beam (Lux)		
Dist A (cm)	Dia. B (cm)	W	N	C
30	28	---	---	1,260
50	45	---	---	500
100	86	---	---	100
150	128	---	---	60
200	160	---	---	38

**W** = Warm White  
**N** = Natural White  
**C** = Cool White

The center beam lux is measured with digital Lux Meter ( Model TES-1334-A)

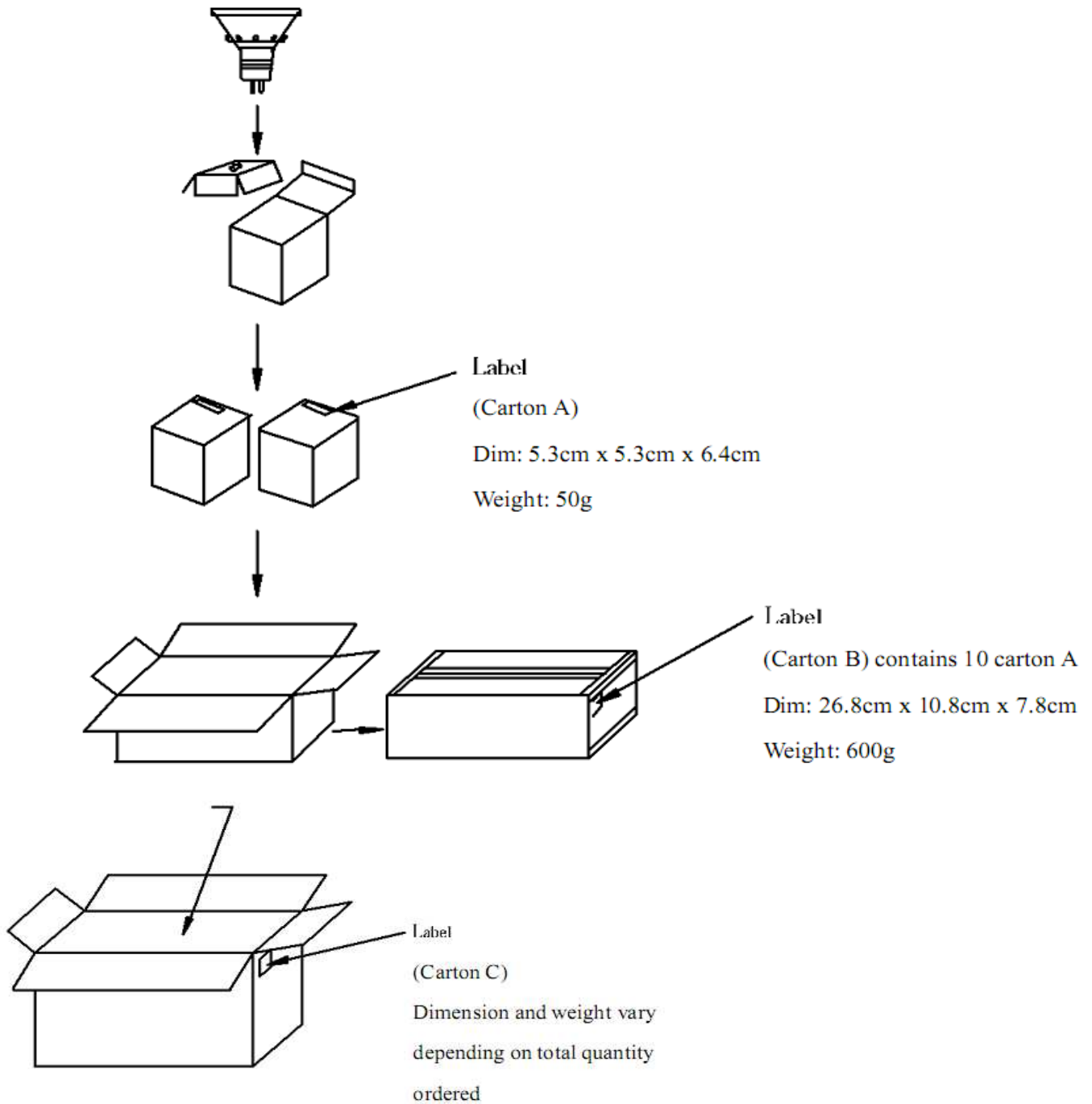
STAR ALLIANCE TECHNOLOGIES  
 Home & Building Applications

CHKD	Wilson				MATL:	Scott	27.04.2008			
					FINISH	Jamy				
DRW:	Hannsi		TOLERANCE	Wurmeier	DATE					
APPD:	Berholt			Sheet No. 4 from 7	Part No.:					1210068



**STAR ALLIANCE TECHNOLOGIES Home and Building Applications**

**Packing Specifications**



STAR ALLIANCE TECHNOLOGIES  
 Home & Building Applications

CHKD	Wilson					MATL:	Scott	27.04.2008			
						FINISH	Jamy				
DRW:	Hannsi		TOLERANCE	Wurmeier	DATE						
APPD:	Berholt			Sheet No. 5 from 7		Part No.:		<b>1210068</b>			



**STAR ALLIANCE TECHNOLOGIES Home and Building Applications**

**Ordering Informations**

Serie	Power	Color Code	Beam Shape	Voltage	Base	Housing
1210068	3	W	S	B	14	C
	3 = 3 Watt	W = Warm N = Natural C = Cool	S = Wide Spot (60°)	B = 110 ~ 240V AC	E14	C = Chrome

**Product Informations**

Color	CCT ( K / nm )	Operating Voltage ( V AC )	LED Power ( W )	Typical Luminous Flux ( LM )	Beam Angle ( ° )
Warm White	2,800 ~ 3,800	110 ~ 240	1 x 3	100	60 ±2
Natural White	4,000 ~ 5,000			110	
Cool White	5,000 ~ 7,000			125	

**Typical Electrical Characteristics at T=25°C**

Parameter	Symbol	Min.	Typ.	Max.	Unit
Input Voltage (110VAC)	V <sub>AC</sub>	100	----	120	V
Input Voltage (240VAC)	V <sub>AC</sub>	200	----	240	V
LED Forward Current	I <sub>f</sub>	----	700	---	mA
Estimated Life Time		----	50,000	----	Hours
Optimized Body Temperature	T	----	56	65	°C

STAR ALLIANCE TECHNOLOGIES  
 Home & Building Applications

CHKD:	Wilson				MATL:	Scott	27.04.2008
					FINISH	Jamy	
DRW:	Hannsi	TOLERANCE	Wurmeier	DATE			
APPD:	Berholt		Sheet No. 6 from 7	Part No.:			1210068



## STAR ALLIANCE TECHNOLOGIES Home and Building Applications

### Warranty Discription

#### EDCON WARRANTY

Manufacturer warrants to the Purchaser that each Product manufactured and sold by it will be free from defects in material and workmanship in its intended use (normal wear and tear excepted) for the period of one year from date of Purchaser's purchase (the invoice date) from Manufacturer. Manufacturer's warranty flows only to Purchaser. If any Product covered by this warranty is returned by Purchaser in accordance with Manufacturer's Products Return Policy, including without limitation its return authorization provisions, within the applicable warranty period set forth above, and upon examination Manufacturer determines to its satisfaction that such Product was defective in material or workmanship at the time of delivery to the Purchaser. Manufacturer will, at its option, repair or replace the Product or the defective part thereof, or reimburse Purchaser for the purchase price. For purposes of clarity, "repair or replace the Product or the defective part thereof" does not include any reinstallation costs or expenses. If Manufacturer chooses to replace the Product and is not able to do so because it has been discontinued or is not available, Manufacturer may replace it with a comparable product. The Products Return Policy is posted on Manufacturer's Internet web site at <http://www.edcon-components.com>. The foregoing notwithstanding, Manufacturer will not be responsible for damage to any Product resulting from misuse, negligence, acts of God or accident or resulting from repairs or alterations made by any person or firm not duly authorized by Manufacturer in writing. Purchaser shall convey with each Product distributed to end users the MANUFACTURERS WARRANTY included by Manufacturer with such Product, and, if Manufacturer determines that the appropriate remedy for a defective product is refund of Purchaser's purchase price, Purchaser shall refund to the end user (or arrange for the refund to the end user of) the full purchase price paid by the end user for such defective Product. The Products Return Policy is posted on Manufacturer's Internet web site at <http://www.edcon-components.com>. The foregoing notwithstanding, Manufacturer will not be responsible for damage to any Product resulting from misuse, negligence, acts of God or accident or resulting from repairs or alterations made by any person or firm not duly authorized by Manufacturer in writing. Purchaser shall convey with each Product distributed to end users the MANUFACTURERS WARRANTY included by Manufacturer with such Product, and, if Manufacturer determines that the appropriate remedy for a defective product is refund of Purchaser's purchase price, Purchaser shall refund to the end user (or arrange for the refund to the end user of) the full purchase price paid by the end user for such defective Product.

#### THIRD PARTY WARRANTIES

With respect to products sold to the Purchaser by Manufacturer but not manufactured by Manufacturer, MANUFACTURER MAKES NO WARRANTY OF ANY KIND, EXPRESS OR IMPLIED, INCLUDING, WITHOUT LIMITATION; ANY WARRANTY OF MERCHANTABILITY OR FITNESS FOR A PARTICULAR PURPOSE, but will make available to the Purchaser, to the extent permitted by law and relevant contracts, the warranties of manufacturer of the relevant product upon the Purchaser's timely written request. NON-IMPLIED WARRANTIES

#### NON-IMPLIED WARRANTIES

THE WARRANTIES GIVEN IN THESE ARE THE ONLY WARRANTIES GIVEN BY THE MANUFACTURER WITH RESPECT TO THE PRODUCTS AND ARE GIVEN IN LIEU OF ALL OTHER WARRANTIES OR IMPLIED, INCLUDING, BUT NOT LIMITED TO, WARRANTIES OF MERCHANTABILITY, OF NON-INFRINGEMENT AND OF FITNESS FOR A PARTICULAR PURPOSE. PURCHASER'S EXCLUSIVE REMEDIES, AND MANUFACTURER'S SOLE LIABILITY, FOR ANY NONCONFORMITY OR DEFECT IN ANY PRODUCT SHALL BE THOSE EXPRESSED HEREIN. LIMITATION OF LIABILITY

#### LIMITATION OF LIABILITY

An essential purpose of the limited exclusive liabilities and remedies in this Agreement is allocation of risks between Manufacturer and Purchaser, which allocation of risks is reflected in the purchase price for the Products. UNDER NO CIRCUMSTANCES SHALL MANUFACTURER'S LIABILITY ARISING OUT OF OR IN CONNECTION WITH THIS AGREEMENT OR MANUFACTURER'S PERFORMANCE OR ASSERTED FAILURE TO PERFORM HEREUNDER, IN CONTRACT, TORT (INCLUDING NEGLIGENCE) OR OTHERWISE, EXCEED THE PURCHASE PRICE OF THE PRODUCT TO WHICH SUCH LIABILITY RELATES. IN NO EVENT SHALL MANUFACTURER BE LIABLE FOR SPECIAL, INCIDENTAL OR CONSEQUENTIAL DAMAGES, INCLUDING, WITHOUT LIMITATION, DAMAGES RESULTING FROM LOSS OF USE, PROFITS, BUSINESS OR GOODWILL, WHETHER OR NOT MANUFACTURER HAS BEEN ADVISED OF THE POSSIBILITY THEREOF.

STAR ALLIANCE TECHNOLOGIES  
Home & Building Applications

CHKD:	Wilson					MATL:	Scott	27.04.2008
						FINISH:	Jamy	
DRW:	Hannsi		TOLERANCE	Wurmeier	DATE			
APPD:	Berholt			Sheet No. 7 from 7		Part No.:	1210068	







