

STAR ALLIANCE TECHNOLOGIES Home and Building Applications



FEATURES:

- POWER LED 7.0 Watt
- 256 grey level for red, green and blue color
- 16 million color in DMX RGB mode
- Long life, over 50,000 hours
- Consume 80% less power than halogan lamp
 - Ingress rating is IP65
- Build in DMX decoder, no need extra decoder or messy wiring
- 1 pre-set programs for direct plug and play
- Communication DMX512 or DMX512a
 - Safety Standard CE
- 1 Year limited warranty look at page no. 7
- Works with 110~240V AC lighting systems

Applications:

- Landscape Accent
- Spot lighting
- Architectural Lighting
- Display Case Accent
- Art work Lighting

STAR ALLIANCE TECHNOLOGIES
 Home & Building Applications

CHKD	Ford					MATL:	McNell	24.09.2008		
						FINISH	Wilson			
DRW:	Carter		TOLERANCE	Peterson	DATE					
APPD:	Jackson				Sheet No. 1 from 8	Part No.:		1210050		

STAR ALLIANCE TECHNOLOGIES Home and Building Applications

Product Specifications

Light Source:	6 x 1 Watt (2 Red, 2 Green, 2 Blue)
Optics:	Optical grade PC cluster lens
Beam Angle:	30° (Wide Spot)
Total Length:	63.0 mm (including pins)
Weight:	84 g
Heatsink	Molded aluminum with chrome or black anodized finish, 50 mm diameter
Base:	GX5.3
Dimmability:	Dimmerble by DMX controller
DMX Capability:	Built in DMX512 decoder
DMX Address Setting:	Manual by using address setter
DMX Connectors:	RJ11 male and female connector with 0.5m wire length
Auto Program:	1 preset color changing program

Environmental Specifications

Temperature Range:	Ambient: -20°C to 40°C, Surface of Lamp 60°C to 70°C
Humidity Range:	0 to 95% non-condensing humidity

Electrical Specifications

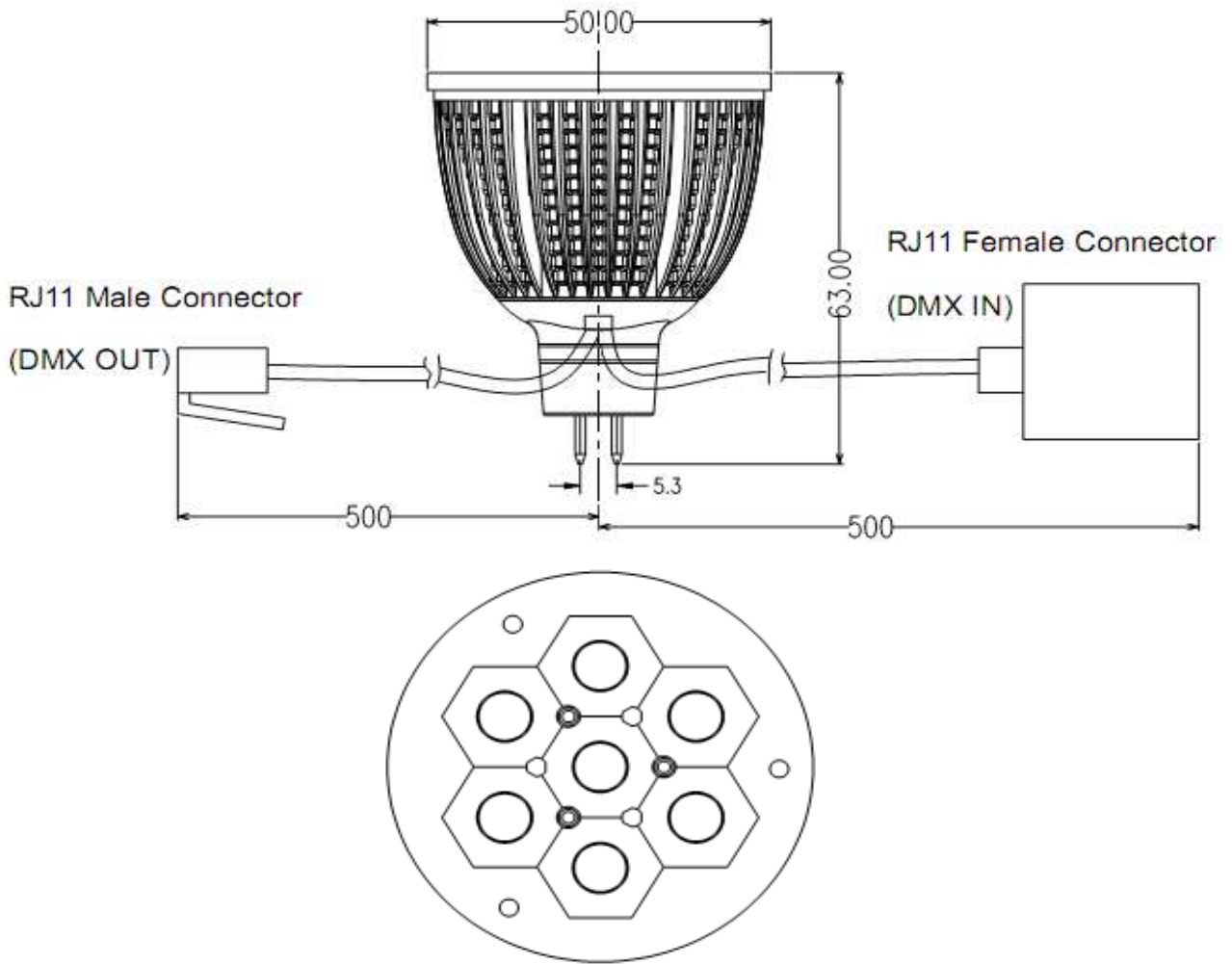
Voltage Requirement:	12V AC or 12V DC
Power Consumption:	6.5 W

STAR ALLIANCE TECHNOLOGIES
Home & Building Applications

CHKD	Ford					MATL:	McNell	24.09.2008
						FINISH	Wilson	
DRW:	Carter	TOLERANCE	Peterson	DATE				
APPD:	Jackson		Sheet No. 2 from 8	Part No.:				1210050

STAR ALLIANCE TECHNOLOGIES Home and Building Applications

Technical Drawing (mm)

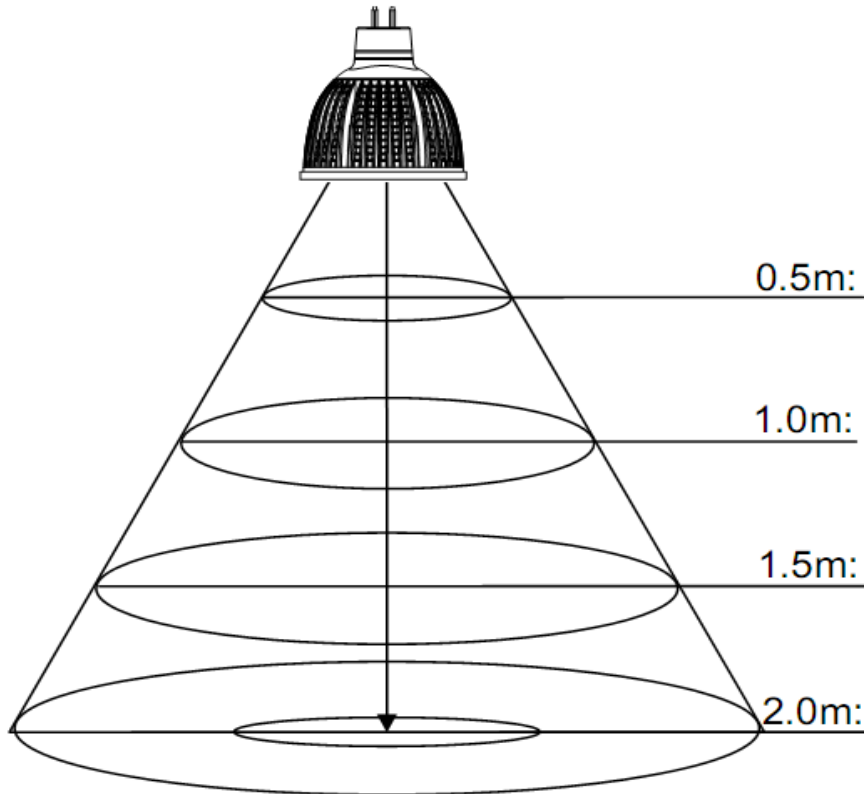


STAR ALLIANCE TECHNOLOGIES
 Home & Building Applications

CHKD	Ford					MATL:	McNell	24.09.2008
						FINISH	Wilson	
DRW:	Carter		TOLERANCE	Peterson	DATE			
APPD:	Jackson			Sheet No. 3 from 8	Part No.:			1210050

STAR ALLIANCE TECHNOLOGIES Home and Building Applications

Illumination Characteristics



Col	RED	GRN	BLU	AMB	PUR	CYN	WHT
Lux	750	1,280	48	1,770	760	1,360	1,800
Dia	0.5m	0.5m	0.5m	0.5m	0.5m	0.5m	0.5m
Lux	140	320	12	420	170	310	440
Dia	1.0m	1.0m	1.0m	1.0m	1.0m	1.0m	1.0m
Lux	63	130	6	195	68	130	200
Dia	1.5m	1.5m	1.5m	1.5m	1.5m	1.5m	1.5m
Lux	35	68	4	100	40	75	100
Dia	2.0m	2.0m	2.0m	2.0m	2.0m	2.0m	2.0m

RED = RED, GRN = Green, BLU = Blue, Amber = Orange
 PUR = Pink, CYN = Cyan, WHT = White

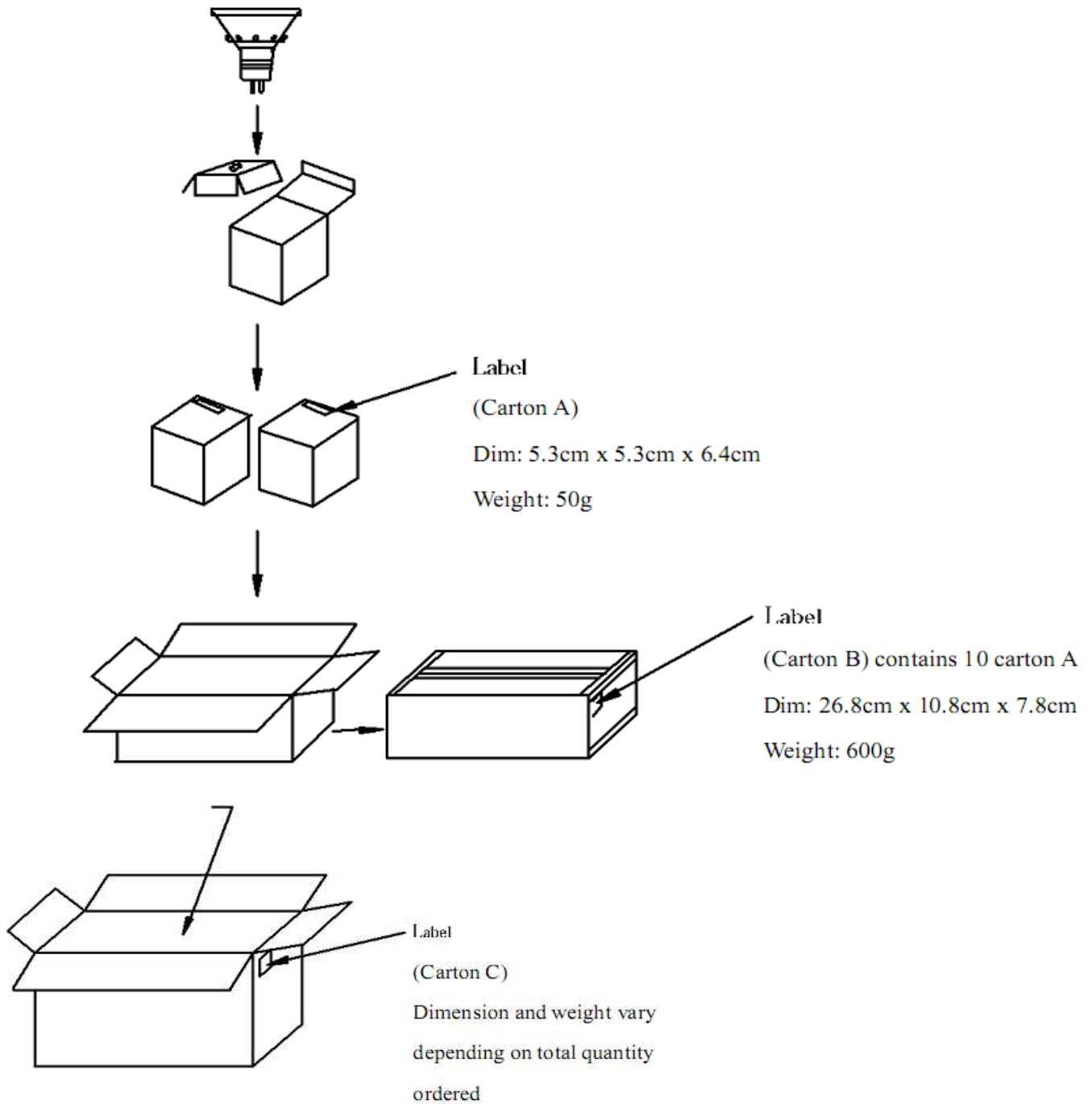
The center beam lux is measured
 with digital Lux Meter (Model TES-1334-A)

STAR ALLIANCE TECHNOLOGIES
 Home & Building Applications

CHKD	Ford				MATL:	McNeill	24.09.2008
					FINISH	Wilson	
DRW:	Carter	TOLERANCE	Peterson	DATE			
APPD:	Jackson		Sheet No. 4 from 8	Part No.:	1210050		

STAR ALLIANCE TECHNOLOGIES Home and Building Applications

Packing Specifications



STAR ALLIANCE TECHNOLOGIES
 Home & Building Applications

CHKD	Ford					MATL:	McNell	24.09.2008
						FINISH	Wilson	
DRW:	Carter		TOLERANCE	Peterson	DATE			
APPD:	Jackson			Sheet No. 5 from 8		Part No.:		1210050

STAR ALLIANCE TECHNOLOGIES Home and Building Applications

Ordering Informations

Serie	Power	Color Code	Beam Shape	Voltage	Base	Housing
1210050	7	D	S	A	22	C
	7 = 7 Watt	Red D = Green Blue	S = Wide Spot (10°)	A = 12 V AC	B22	C = Chrome B = Black Anodize

Product Informations

Color	CCT (K / nm)	Operating Voltage (V AC)	LED Power (W)	Typical Luminous Flux (lm)	Beam Angle (°)
Red	625	12	6 x 1	80	30 ±2
Blue	470			100	
Green	530			30	

Typical Electrical Characteristics at T=25°C

Parameter	Symbol	Min.	Typ.	Max.	Unit
Input Voltage (VAC)	V _{AC}	10	12	14	V
Input Voltage (VDC)	V _{DC}	9	10	12	
LED Forward Current	I _f	----	200	---	mA
Estimated Life Time		----	40,000	----	Hours
Optimized Body Temperature 3,6	T	----	65	70	°C

STAR ALLIANCE TECHNOLOGIES
Home & Building Applications

CHKD:	Ford					MATL:	McNell	24.09.2008
						FINISH	Wilson	
DRW:	Carter		TOLERANCE	Peterson	DATE			
APPD:	Jackson			Sheet No. 6 from 8		Part No.:		1210050

STAR ALLIANCE TECHNOLOGIES Home and Building Applications

DMX Controller & Co.



DMX Controller



DMX Signal Amplifier



Low Voltage DMX Decoder



Main Voltage DMX Decoder



Multifunctional LED Controller & DMX Decoder



LED Dimmer

STAR ALLIANCE TECHNOLOGIES
 Home & Building Applications

CHKD:	Ford					MATL:	McNeill	24.09.2008			
						FINISH:	Wilson				
DRW:	Carter		TOLERANCE	Peterson	DATE						
APPD:	Jackson			Sheet No. 7 from 8		Part No.:	1210050				

STAR ALLIANCE TECHNOLOGIES Home and Building Applications

Warranty Discription

EDCON WARRANTY

Manufacturer warrants to the Purchaser that each Product manufactured and sold by it will be free from defects in material and workmanship in its intended use (normal wear and tear excepted) for the period of one year from date of Purchaser's purchase (the invoice date) from Manufacturer. Manufacturer's warranty flows only to Purchaser. If any Product covered by this warranty is returned by Purchaser in accordance with Manufacturer's Products Return Policy, including without limitation its return authorization provisions, within the applicable warranty period set forth above, and upon examination Manufacturer determines to its satisfaction that such Product was defective in material or workmanship at the time of delivery to the Purchaser. Manufacturer will, at its option, repair or replace the Product or the defective part thereof, or reimburse Purchaser for the purchase price. For purposes of clarity, "repair or replace the Product or the defective part thereof" does not include any reinstallation costs or expenses. If Manufacturer chooses to replace the Product and is not able to do so because it has been discontinued or is not available, Manufacturer may replace it with a comparable product. The Products Return Policy is posted on Manufacturer's Internet web site at <http://www.edcon-components.com>. The foregoing notwithstanding, Manufacturer will not be responsible for damage to any Product resulting from misuse, negligence, acts of God or accident or resulting from repairs or alterations made by any person or firm not duly authorized by Manufacturer in writing. Purchaser shall convey with each Product distributed to end users the MANUFACTURERS WARRANTY included by Manufacturer with such Product, and, if Manufacturer determines that the appropriate remedy for a defective product is refund of Purchaser's purchase price, Purchaser shall refund to the end user (or arrange for the refund to the end user of) the full purchase price paid by the end user for such defective Product. The Products Return Policy is posted on Manufacturer's Internet web site at <http://www.edcon-components.com>. The foregoing notwithstanding, Manufacturer will not be responsible for damage to any Product resulting from misuse, negligence, acts of God or accident or resulting from repairs or alterations made by any person or firm not duly authorized by Manufacturer in writing. Purchaser shall convey with each Product distributed to end users the MANUFACTURERS WARRANTY included by Manufacturer with such Product, and, if Manufacturer determines that the appropriate remedy for a defective product is refund of Purchaser's purchase price, Purchaser shall refund to the end user (or arrange for the refund to the end user of) the full purchase price paid by the end user for such defective Product.

THIRD PARTY WARRANTIES

With respect to products sold to the Purchaser by Manufacturer but not manufactured by Manufacturer, MANUFACTURER MAKES NO WARRANTY OF ANY KIND, EXPRESS OR IMPLIED, INCLUDING, WITHOUT LIMITATION; ANY WARRANTY OF MERCHANTABILITY OR FITNESS FOR A PARTICULAR PURPOSE, but will make available to the Purchaser, to the extent permitted by law and relevant contracts, the warranties of manufacturer of the relevant product upon the Purchaser's timely written request. NON-IMPLIED WARRANTIES

NON-IMPLIED WARRANTIES

THE WARRANTIES GIVEN IN THESE ARE THE ONLY WARRANTIES GIVEN BY THE MANUFACTURER WITH RESPECT TO THE PRODUCTS AND ARE GIVEN IN LIEU OF ALL OTHER WARRANTIES OR IMPLIED, INCLUDING, BUT NOT LIMITED TO, WARRANTIES OF MERCHANTABILITY, OF NON-INFRINGEMENT AND OF FITNESS FOR A PARTICULAR PURPOSE. PURCHASER'S EXCLUSIVE REMEDIES, AND MANUFACTURER'S SOLE LIABILITY, FOR ANY NONCONFORMITY OR DEFECT IN ANY PRODUCT SHALL BE THOSE EXPRESSED HEREIN. LIMITATION OF LIABILITY

LIMITATION OF LIABILITY

An essential purpose of the limited exclusive liabilities and remedies in this Agreement is allocation of risks between Manufacturer and Purchaser, which allocation of risks is reflected in the purchase price for the Products. UNDER NO CIRCUMSTANCES SHALL MANUFACTURER'S LIABILITY ARISING OUT OF OR IN CONNECTION WITH THIS AGREEMENT OR MANUFACTURER'S PERFORMANCE OR ASSERTED FAILURE TO PERFORM HEREUNDER, IN CONTRACT, TORT (INCLUDING NEGLIGENCE) OR OTHERWISE, EXCEED THE PURCHASE PRICE OF THE PRODUCT TO WHICH SUCH LIABILITY RELATES. IN NO EVENT SHALL MANUFACTURER BE LIABLE FOR SPECIAL, INCIDENTAL OR CONSEQUENTIAL DAMAGES, INCLUDING, WITHOUT LIMITATION, DAMAGES RESULTING FROM LOSS OF USE, PROFITS, BUSINESS OR GOODWILL, WHETHER OR NOT MANUFACTURER HAS BEEN ADVISED OF THE POSSIBILITY THEREOF.

STAR ALLIANCE TECHNOLOGIES
Home & Building Applications

CHKD	Ford					MATL:	McNell	24.09.2008
						FINISH	Wilson	
DRW:	Carter		TOLERANCE	Peterson	DATE			
APPD:	Jackson			Sheet No. 8 from 8	Part No.:			1210050

