



STAR ALLIANCE TECHNOLOGIES Home and Building Applications



FEATURES:

- **POWER LED** 3.0 Watt
- **Base / Socket:** E27
- **More than 40,000 hours**
- **Low heat, no UV or IR light radiation**
- **Homogeneous flood illumination, no halo-ring effect**
- **3 Watt version can achieve directional light output equal to 25 Watt halogen lamp**
- **Consume 80% less power than halogen lamp**
 - **Reverse polarity protection**
 - **Safety Standard CE and ROHS**
- **1 Year limited warranty look at page no. 7**
- **Works with 110~240V AC lighting systems**

Applications:

- **Landscape Accent / Spot lighting**
- **Architectural Lighting**
- **Display Case Accent**
- **Mood Lighting / General lighting**
- **Amusement Park Accent**

STAR ALLIANCE TECHNOLOGIES
 Home & Building Applications

CHKD	Petersson					MATL:	Wilson	25.04.2008			
						FINISH	Scooty				
DRW:	Jason		TOLERANCE	Mason	DATE						
APPD:	Müller			Sheet No.	1 from 7	Part No.:		1210080			



STAR ALLIANCE TECHNOLOGIES Home and Building Applications

Product Specifications

Light Source:	3 x 1 Watt
Optics:	3 x optical grade PC collimator
Lens Diameter:	17.8 mm each
Beam Angle:	30° (Wide Spot)
Rendering Index:	> 70 (for warm white color)
Total Length:	74 mm (including base)
Weight:	75 g
Housing:	Molded aluminum with silver paint finish, 5 cm (2") diameter
Base:	E27
Dimmability:	not dimmable

Environmental Specifications

Temperature Range:	Ambient: -20°C to 40°C, Surface of Lamp 60°C to 70°C
Humidity Range:	0 to 95% non-condensing humidity

Electrical Specifications

Voltage Requirement:	12 V AC or DC
Power Consumption:	≤ 7 W
Power Factor:	≥ 0.9

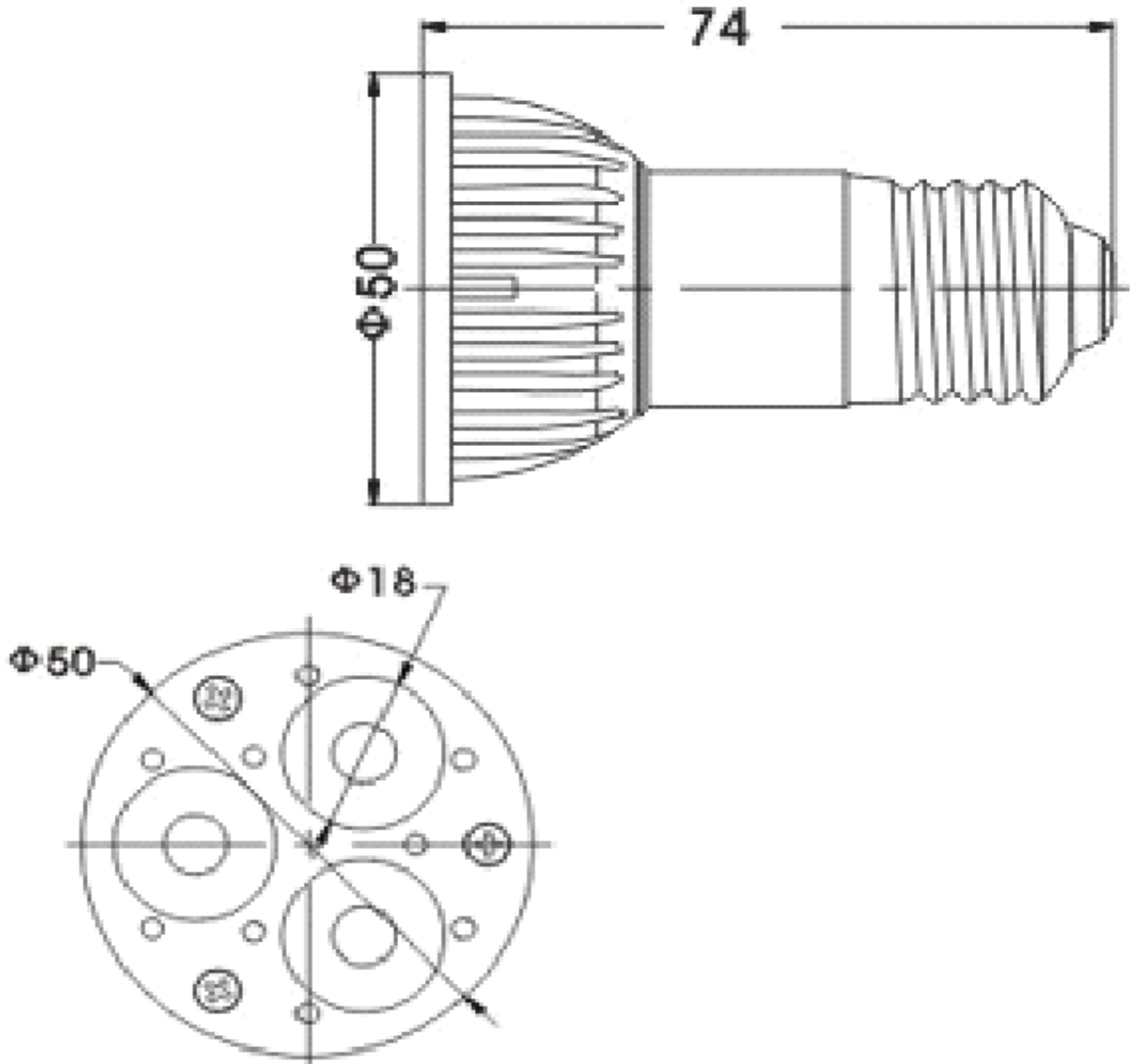
STAR ALLIANCE TECHNOLOGIES
 Home & Building Applications

CHKD	Petersson					MATL:	Wilson	25.04.2008			
						FINISH	Scoty				
DRW:	Jason	TOLERANCE	Mason	DATE							
APPD:	Müller			Sheet No. 2 from 7	Part No.:						1210080



STAR ALLIANCE TECHNOLOGIES Home and Building Applications

Technical Drawing (mm)



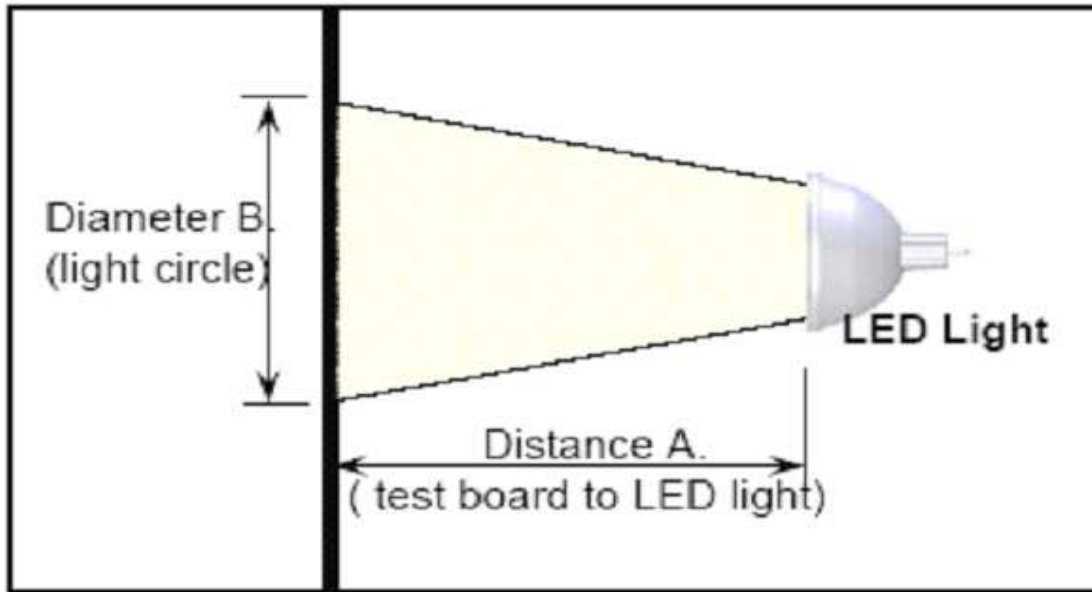
STAR ALLIANCE TECHNOLOGIES
 Home & Building Applications

CHKD	Petersson					MATL:	Wilson	25.04.2008			
						FINISH	Scooty				
DRW:	Jason		TOLERANCE	Mason	DATE						
APPD:	Müller				Sheet No. 3 from 7	Part No.:				1210080	



STAR ALLIANCE TECHNOLOGIES Home and Building Applications

Illumination Characteristics (T = 25°C)



Distance		3W Typical Illuminanced Measured at Center of Beam (Lux)					
Dist A (cm)	Dia. B (cm)	W	C	R	Y	B	G
30	28	4,700	5,200	---	---	---	---
50	45	1,750	1,900	---	---	---	---
100	86	450	500	---	---	---	---
150	128	200	200	---	---	---	---
200	160	125	125	---	---	---	---

- W** = Warm White
- C** = Cool White
- R** = Red
- Y** = Yellow
- B** = Blue
- G** = Green

The center beam lux is measured with digital Lux Meter (Model TES-1334-A)

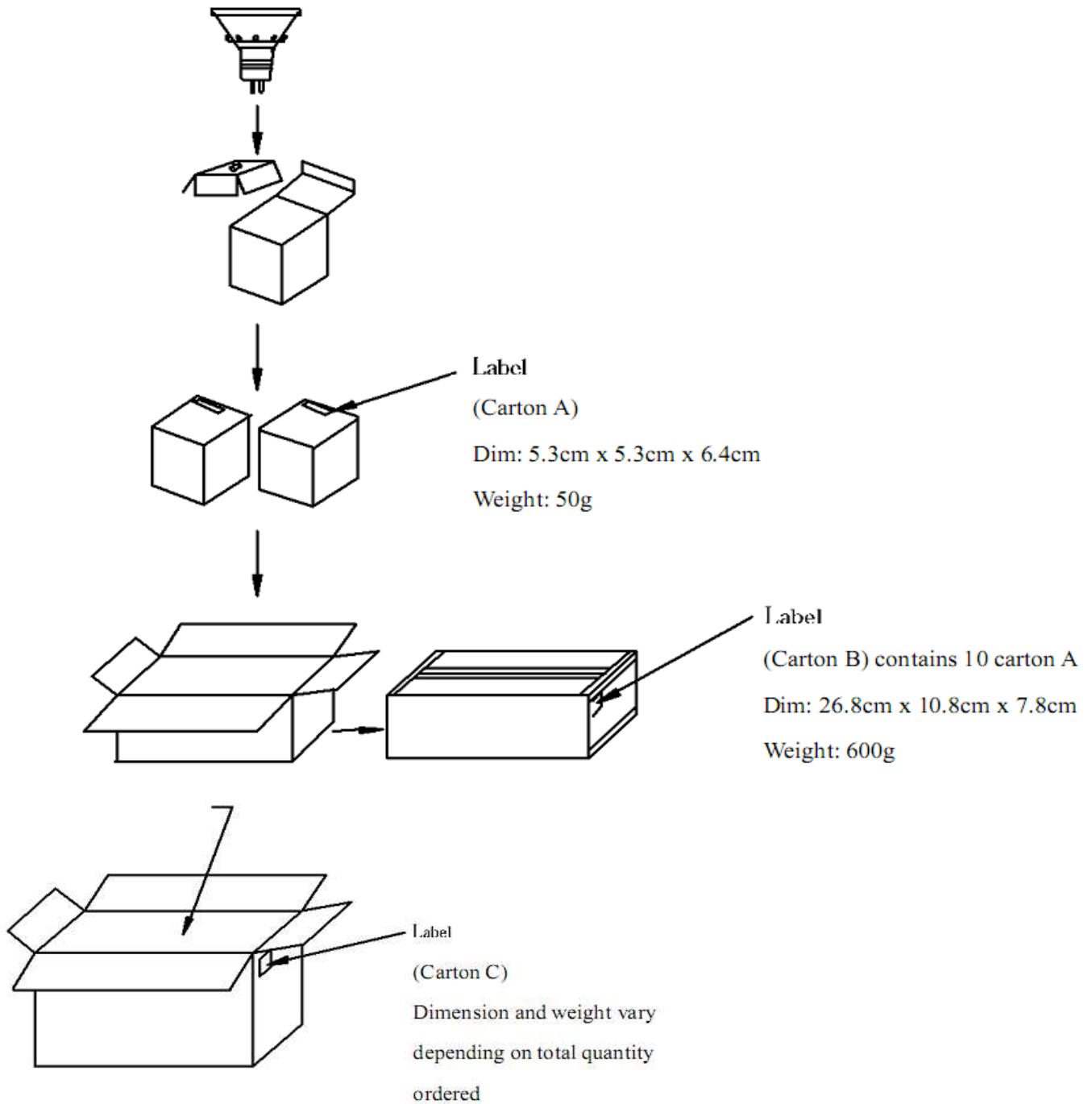
STAR ALLIANCE TECHNOLOGIES
 Home & Building Applications

CHKD	Petersson					MATL:	Wilson	25.04.2008
						FINISH	Scooty	
DRW:	Jason		TOLERANCE	Mason	DATE			
APPD:	Müller			Sheet No. 4 from 7	Part No.:			1210080



STAR ALLIANCE TECHNOLOGIES Home and Building Applications

Packing Specifications



STAR ALLIANCE TECHNOLOGIES
 Home & Building Applications

CHKD	Petersson					MATL:	Wilson	25.04.2008			
						FINISH	Scooty				
DRW:	Jason		TOLERANCE	Mason	DATE						
APPD:	Müller			Sheet No.	5 from 7	Part No.:					1210080



STAR ALLIANCE TECHNOLOGIES Home and Building Applications

Ordering Informations

Serie	Power	Color Code	Beam Shape	Voltage	Base	Housing
1210035	3	W	S	B	27	P
	3 = 3 Watt	W = Warm C = Cool R = Red Y = Yellow B = Blue G = Green	S = Wide Spot (30°)	B = 110 ~ 220 V AC	E27	P = Silver Paint

Product Informations

Color	CCT (K / nm)	Operating Voltage (V AC)	LED Power (W)	Typical Luminous Flux (LM)	Beam Angle (°)
Warm White	2,800 ~ 3,800	110 ~ 240	3 x 1	105	30 ±2
Cool White	5,000 ~ 7,000			150	
Red	625			135	
Yellow	595			110	
Blue	470			40	
Green	525			150	

Typical Electrical Characteristics at T=25°C (for 4Watt Model)

Parameter	Symbol	Min.	Typ.	Max.	Unit
Input Voltage (110VAC)	V _{AC}	100	----	120	V
Input Voltage (240VAC)	V _{AC}	200	----	240	V
LED Forward Current	I _f	----	300	---	mA
Estimated Life Time		----	40,000	----	Hours
Optimized Body Temperature 3,6	T	----	55	60	°C

STAR ALLIANCE TECHNOLOGIES
 Home & Building Applications

CHKD:	Petersson				MATL:	Wilson	25.04.2008
					FINISH	Scooty	
DRW:	Jason	TOLERANCE	Mason	DATE			
APPD:	Müller		Sheet No. 6 from 7	Part No.:			1210080



STAR ALLIANCE TECHNOLOGIES Home and Building Applications

Warranty Discription

EDCON WARRANTY

Manufacturer warrants to the Purchaser that each Product manufactured and sold by it will be free from defects in material and workmanship in its intended use (normal wear and tear excepted) for the period of one year from date of Purchaser's purchase (the invoice date) from Manufacturer. Manufacturer's warranty flows only to Purchaser. If any Product covered by this warranty is returned by Purchaser in accordance with Manufacturer's Products Return Policy, including without limitation its return authorization provisions, within the applicable warranty period set forth above, and upon examination Manufacturer determines to its satisfaction that such Product was defective in material or workmanship at the time of delivery to the Purchaser, Manufacturer will, at its option, repair or replace the Product or the defective part thereof, or reimburse Purchaser for the purchase price. For purposes of clarity, "repair or replace the Product or the defective part thereof" does not include any reinstallation costs or expenses. If Manufacturer chooses to replace the Product and is not able to do so because it has been discontinued or is not available, Manufacturer may replace it with a comparable product. The Products Return Policy is posted on Manufacturer's Internet web site at <http://www.edcon-components.com>. The foregoing notwithstanding, Manufacturer will not be responsible for damage to any Product resulting from misuse, negligence, acts of God or accident or resulting from repairs or alterations made by any person or firm not duly authorized by Manufacturer in writing. Purchaser shall convey with each Product distributed to end users the MANUFACTURERS WARRANTY included by Manufacturer with such Product, and, if Manufacturer determines that the appropriate remedy for a defective product is refund of Purchaser's purchase price, Purchaser shall refund to the end user (or arrange for the refund to the end user of) the full purchase price paid by the end user for such defective Product. The Products Return Policy is posted on Manufacturer's Internet web site at <http://www.edcon-components.com>. The foregoing notwithstanding, Manufacturer will not be responsible for damage to any Product resulting from misuse, negligence, acts of God or accident or resulting from repairs or alterations made by any person or firm not duly authorized by Manufacturer in writing. Purchaser shall convey with each Product distributed to end users the MANUFACTURERS WARRANTY included by Manufacturer with such Product, and, if Manufacturer determines that the appropriate remedy for a defective product is refund of Purchaser's purchase price, Purchaser shall refund to the end user (or arrange for the refund to the end user of) the full purchase price paid by the end user for such defective Product.

THIRD PARTY WARRANTIES

With respect to products sold to the Purchaser by Manufacturer but not manufactured by Manufacturer, MANUFACTURER MAKES NO WARRANTY OF ANY KIND, EXPRESS OR IMPLIED, INCLUDING, WITHOUT LIMITATION; ANY WARRANTY OF MERCHANTABILITY OR FITNESS FOR A PARTICULAR PURPOSE, but will make available to the Purchaser, to the extent permitted by law and relevant contracts, the warranties of manufacturer of the relevant product upon the Purchaser's timely written request. NON-IMPLIED WARRANTIES

NON-IMPLIED WARRANTIES

THE WARRANTIES GIVEN IN THESE ARE THE ONLY WARRANTIES GIVEN BY THE MANUFACTURER WITH RESPECT TO THE PRODUCTS AND ARE GIVEN IN LIEU OF ALL OTHER WARRANTIES OR IMPLIED, INCLUDING, BUT NOT LIMITED TO, WARRANTIES OF MERCHANTABILITY, OF NON-INFRINGEMENT AND OF FITNESS FOR A PARTICULAR PURPOSE. PURCHASER'S EXCLUSIVE REMEDIES, AND MANUFACTURER'S SOLE LIABILITY, FOR ANY NONCONFORMITY OR DEFECT IN ANY PRODUCT SHALL BE THOSE EXPRESSED HEREIN. LIMITATION OF LIABILITY

LIMITATION OF LIABILITY

An essential purpose of the limited exclusive liabilities and remedies in this Agreement is allocation of risks between Manufacturer and Purchaser, which allocation of risks is reflected in the purchase price for the Products. UNDER NO CIRCUMSTANCES SHALL MANUFACTURER'S LIABILITY ARISING OUT OF OR IN CONNECTION WITH THIS AGREEMENT OR MANUFACTURER'S PERFORMANCE OR ASSERTED FAILURE TO PERFORM HEREUNDER, IN CONTRACT, TORT (INCLUDING NEGLIGENCE) OR OTHERWISE, EXCEED THE PURCHASE PRICE OF THE PRODUCT TO WHICH SUCH LIABILITY RELATES. IN NO EVENT SHALL MANUFACTURER BE LIABLE FOR SPECIAL, INCIDENTAL OR CONSEQUENTIAL DAMAGES, INCLUDING, WITHOUT LIMITATION, DAMAGES RESULTING FROM LOSS OF USE, PROFITS, BUSINESS OR GOODWILL, WHETHER OR NOT MANUFACTURER HAS BEEN ADVISED OF THE POSSIBILITY THEREOF.

STAR ALLIANCE TECHNOLOGIES
Home & Building Applications

CHKD	Pettersson					MATL:	Wilson	25.04.2008
						FINISH	Scooty	
DRW:	Jason		TOLERANCE	Mason	DATE			
APPD:	Müller			Sheet No. 7 from 7	Part No.:			1210080

