



**STAR ALLIANCE TECHNOLOGIES Home and Building Applications**



**FEATURES:**

- POWER LED                    3.0 Watt
- Base / Socket:                GU10
- More than 40,000 hours
- Low heat, no UV or IR light radiation
- Homogeneous flood illumination, no halo-ring effect
- 3 Watt version can achieve directional light output equal to 15 Watt halogen lamp
- Consume 80% less power than halogen lamp
  - Reverse polarity protection
  - Safety Standard CE and ROHS
- 1 Year limited warranty look at page no. 7
- Works with 110~240V AC lighting systems

**Applications:**

- Landscape Accent / Spot lighting
- Architectural Lighting
- Display Case Accent
- Art work Lighting
- Mood Lighting
- Amusement Park Accent

STAR ALLIANCE TECHNOLOGIES  
 Home & Building Applications

CHKD	Schmitz					MATL:	Harry	26.04.2008			
						FINISH	Willy				
DRW:	Jason		TOLERANCE	Becker	DATE						
APPD:	Schumi			Sheet No. 1 from 7		Part No.:	1210007				



**STAR ALLIANCE TECHNOLOGIES Home and Building Applications**

**Product Specifications**

<b>Light Source:</b>	1 x 3 Watt LED
<b>Optics:</b>	Optical grade PC collimstor
<b>Lens diameter:</b>	33 mm
<b>Beam Angle:</b>	35° (Wide Spot)
<b>Rendering Index:</b>	> 70 (for cool white color)
<b>Total Length:</b>	59.0 mm (including pins)
<b>Weight:</b>	50 g
<b>Heatsink</b>	Machined pure aluminum with anodized silver finish, 50 mm diameter
<b>Base:</b>	GU10 pins
<b>Dimmability:</b>	not dimmable

**Environmental Specifications**

<b>Temperature Range:</b>	Ambient: -20°C to 40°C, Surface of Lamp 60°C to 70°C
<b>Humidity Range:</b>	0 to 95% non-condensing humidity

**Electrical Specifications**

<b>Voltage Requirement:</b>	110~220V AC
<b>Power Consumption:</b>	≤ 2 W
<b>Power Factor:</b>	≥ 0.6

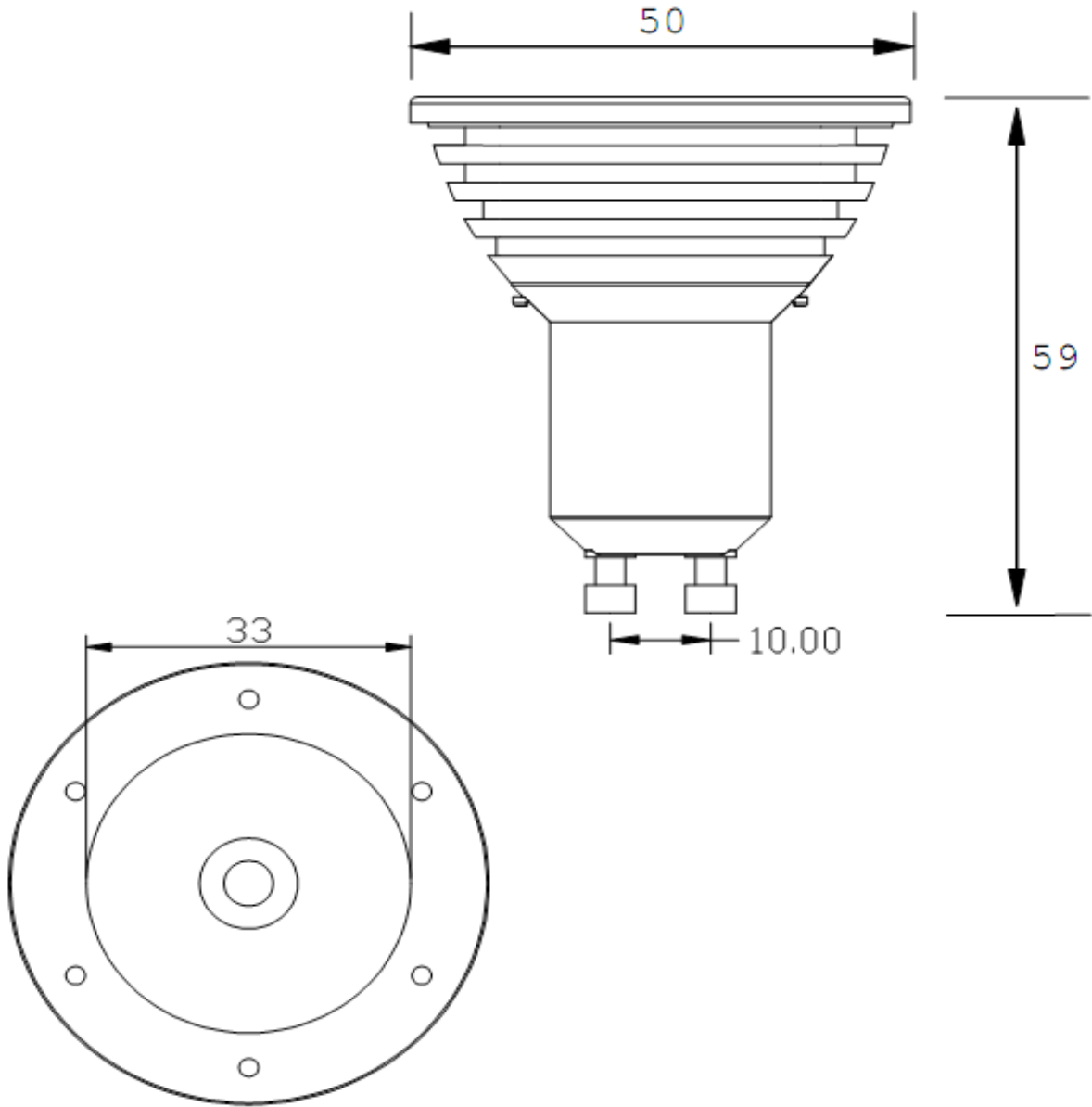
STAR ALLIANCE TECHNOLOGIES  
 Home & Building Applications

CHKD	Schmitz					MATL:	Harry	26.04.2008
						FINISH	Willy	
DRW:	Jason	TOLERANCE	Becker	DATE				
APPD:	Schumi			Sheet No. 2 from 7	Part No.:			1210007



**STAR ALLIANCE TECHNOLOGIES Home and Building Applications**

*Technical Drawing ( mm )*



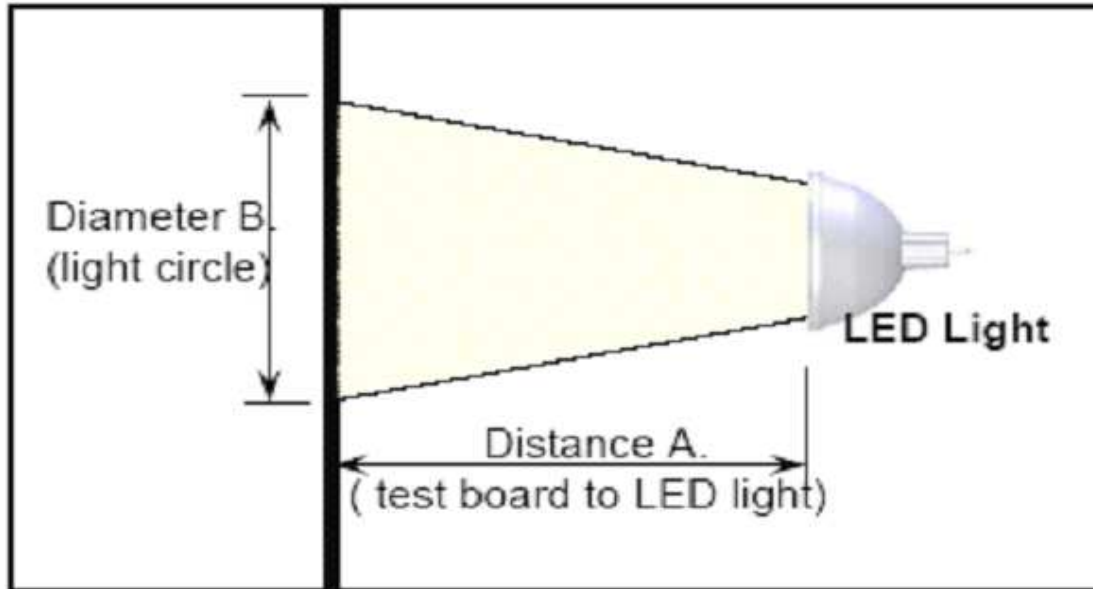
STAR ALLIANCE TECHNOLOGIES  
 Home & Building Applications

CHKD	Schmitz					MATL:	Harry	26.04.2008
						FINISH	Willy	
DRW:	Jason		TOLERANCE	Becker	DATE			
APPD:	Schumi			Sheet No. 3 from 7	Part No.:			1210007



**STAR ALLIANCE TECHNOLOGIES Home and Building Applications**

**Illumination Characteristics ( T = 25°C )**



Distance		3W Typical Illuminanced Measured at Center of Beam (Lux)					
Dist A (cm)	Dia. B (cm)	W	C	R	Y	B	G
30	25	2,600	3,500	6,000	6,000	2,000	5,000
50	40	1,000	1,400	2,500	2,500	820	2,050
100	90	260	360	650	650	200	500
150	140	120	170	350	350	100	250
200	190	80	110	200	200	90	180

- W** = Warm White
- C** = Cool White
- R** = Red
- Y** = Yellow
- B** = Blue
- G** = Green

The center beam lux is measured with digital Lux Meter ( Model TES-1334-A)

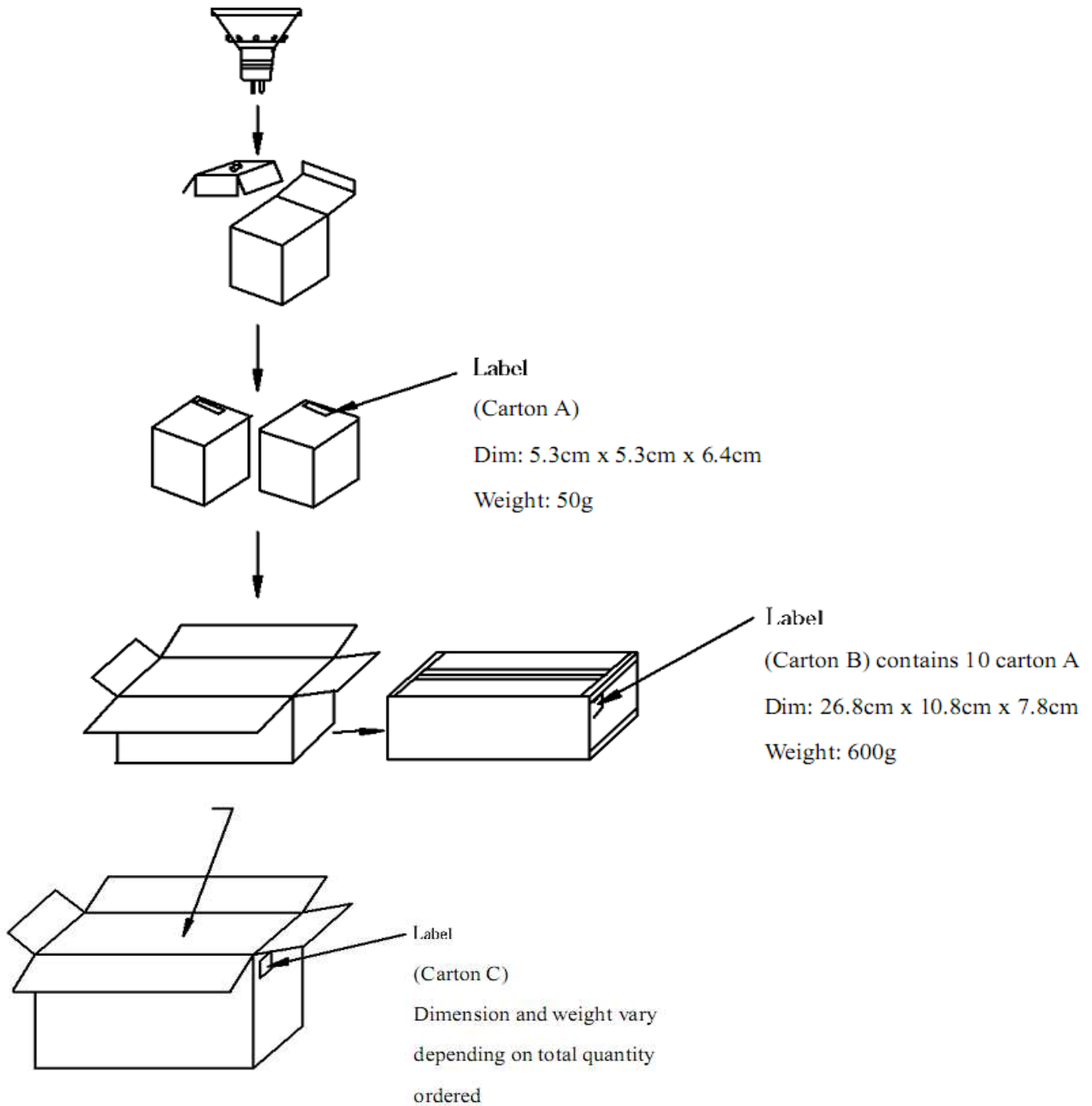
STAR ALLIANCE TECHNOLOGIES  
 Home & Building Applications

CHKD	Schmitz				MATL:	Harry	26.04.2008
					FINISH	Willy	
DRW:	Jason	TOLERANCE	Becker	DATE			
APPD:	Schumi		Sheet No. 4 from 7	Part No.:	1210007		



**STAR ALLIANCE TECHNOLOGIES Home and Building Applications**

**Packing Specifications**



STAR ALLIANCE TECHNOLOGIES  
 Home & Building Applications

CHKD	Schmitz					MATL:	Harry	26.04.2008			
						FINISH	Willy				
DRW:	Jason		TOLERANCE	Becker	DATE						
APPD:	Schumi			Sheet No. 5 from 7	Part No.:						1210007



**STAR ALLIANCE TECHNOLOGIES Home and Building Applications**

**Ordering Informations**

Serie	Power	Color Code	Beam Shape	Voltage	Base	Housing
1210007	3	W	S	B	10	F
	3 = 3 Watt	W = Warm C = Cool R = Red Y = Yellow B = Blue G = Green	S = Wide Spot ( 35° )	B = 110 ~ 220 V AC	GU10	F = Frosted Silver

**Product Informations**

Color	CCT (K / nm)	Operating Voltage ( V AC )	LED Power ( W )	Typical Luminous Flux ( lm )	Beam Angle ( ° )
Warm White	2,800 ~ 3,800	110~240	1 x 3	45	35 ±2
Cool White	5,000 ~ 7,000			75	
Red	625			55	
Yellow	595			60	
Blue	470			25	
Green	530			55	

**Typical Electrical Characteristics at T=25°C**

Parameter	Symbol	Min.	Typ.	Max.	Unit
Input Voltage (110VAC)	V <sub>AC</sub>	100	---	120	V
Input Voltage (240VAC)	V <sub>AC</sub>	200	---	240	V
LED Forward Current	I <sub>f</sub>	---	550	---	mA
Estimated Life Time		---	40,000	---	Hours
Optimized Body Temperature	T	---	45	55	°C

STAR ALLIANCE TECHNOLOGIES  
 Home & Building Applications

CHKD	Schmitz				MATL:	Harry	26.04.2008
					FINISH	Willy	
DRW:	Jason	TOLERANCE	Becker	DATE			
APPD:	Schumi		Sheet No. 6 from 7	Part No.:			1210007



**STAR ALLIANCE TECHNOLOGIES Home and Building Applications**

**Warranty Discription**

**EDCON WARRANTY**

Manufacturer warrants to the Purchaser that each Product manufactured and sold by it will be free from defects in material and workmanship in its intended use (normal wear and tear excepted) for the period of one year from date of Purchasers purchase (the invoice date) from Manufacturer. Manufacturers warranty flows only to Purchaser. If any Product covered by this warranty is returned by Purchaser in accordance with Manufacturers Products Return Policy, including without limitation its return authorization provisions, within the applicable warranty period set forth above, and upon examination Manufacturer determines to its satisfaction that such Product was defective in material or workmanship at the time of delivery to the Purchaser. Manufacturer will, at its option, repair or replace the Product or the defective part thereof, or reimburse Purchaser for the purchase price. For purposes of clarity, "repair or replace the Product or the defective part thereof" does not include any reinstallation costs or expenses. If Manufacturer chooses to replace the Product and is not able to do so because it has been discontinued or is not available, Manufacturer may replace it with a comparable product. The Products Return Policy is posted on Manufacturers Internet web site at <http://www.edcon-components.com>. The foregoing notwithstanding, Manufacturer will not be responsible for damage to any Product resulting from misuse, negligence, acts of God or accident or resulting from repairs or alterations made by any person or firm not duly authorized by Manufacturer in writing. Purchaser shall convey with each Product distributed to end users the MANUFACTURERS WARRANTY included by Manufacturer with such Product, and, if Manufacturer determines that the appropriate remedy for a defective product is refund of Purchasers purchase price, Purchaser shall refund to the end user (or arrange for the refund to the end user of) the full purchase price paid by the end user for such defective Product. The Products Return Policy is posted on Manufacturers Internet web site at <http://www.edcon-components.com>. The foregoing notwithstanding, Manufacturer will not be responsible for damage to any Product resulting from misuse, negligence, acts of God or accident or resulting from repairs or alterations made by any person or firm not duly authorized by Manufacturer in writing. Purchaser shall convey with each Product distributed to end users the MANUFACTURERS WARRANTY included by Manufacturer with such Product, and, if Manufacturer determines that the appropriate remedy for a defective product is refund of Purchasers purchase price, Purchaser shall refund to the end user (or arrange for the refund to the end user of) the full purchase price paid by the end user for such defective Product.

**THIRD PARTY WARRENTIES**

With respect to products sold to the Purchaser by Manufacturer but not manufactured by Manufacturer, MANUFACTURER MAKES NO WARRANTY OF ANY KIND, EXPRESS OR IMPLIED, INCLUDING, WITHOUT LIMITATION; ANY WARRANTY OF MERCHANTABILITY OR FITNESS FOR A PARTICULAR PURPOSE, but will make available to the Purchaser, to the extent permitted by law and relevant contracts, the warranties of manufacturer of the relevant product upon the Purchasers timely written request. NON-IMPLIED WARRANTIES

**NON-IMPLIED WARRENTIES**

THE WARRANTIES GIVEN IN THESE ARE THE ONLY WARRANTIES GIVEN BY THE MANUFACTURER WITH RESPECT TO THE PRODUCTS AND ARE GIVEN IN LIEU OF ALL OTHER WARRANTIES OR IMPLIED, INCLUDING, BUT NOT LIMITED TO, WARRANTIES OF MERCHANTABILITY, OF NON INFRINGEMENT AND OF FITNESS FOR A PARTICULAR PURPOSE. PURCHASERS EXCLUSIVE REMEDIES, AND MANUFACTURERS SOLE LIABILITY, FOR ANY NONCONFORMITY OR DEFECT IN ANY PRODUCT SHALL BE THOSE EXPRESSED HEREIN. LIMITATION OF LIABILITY

**LIMITATION OF LIABILITY**

An essential purpose of the limited exclusive liabilities and remedies in this Agreement is allocation of risks between Manufacturer and Purchaser, which allocation of risks is reflected in the purchase price for the Products. UNDER NO CIRCUMSTANCES SHALL MANUFACTURERS LIABILITY ARISING OUT OF OR IN CONNECTION WITH THIS AGREEMENT OR MANUFACTURERS PERFORMANCE OR ASSERTED FAILURE TO PERFORM HEREUNDER, IN CONTRACT, TORT (INCLUDING NEGLIGENCE) OR OTHERWISE, EXCEED THE PURCHASE PRICE OF THE PRODUCT TO WHICH SUCH LIABILITY RELATES. IN NO EVENT SHALL MANUFACTURER BE LIABLE FOR SPECIAL, INCIDENTAL OR CONSEQUENTIAL DAMAGES, INCLUDING, WITHOUT LIMITATION, DAMAGES RESULTING FROM LOSS OF USE, PROFITS, BUSINESS OR GOODWILL, WHETHER OR NOT MANUFACTURER HAS BEEN ADVISED OF THE POSSIBILITY THEREOF.

STAR ALLIANCE TECHNOLOGIES  
Home & Building Applications

CHKD	Schmitz				MATL:	Harry	26.04.2008		
					FINISH	Willy			
DRW:	Jason		TOLERANCE	Becker	DATE				
APPD:	Schumi			Sheet No. 7 from 7	Part No.:		1210007		







