



Flat Cable Pitch 2,54mm

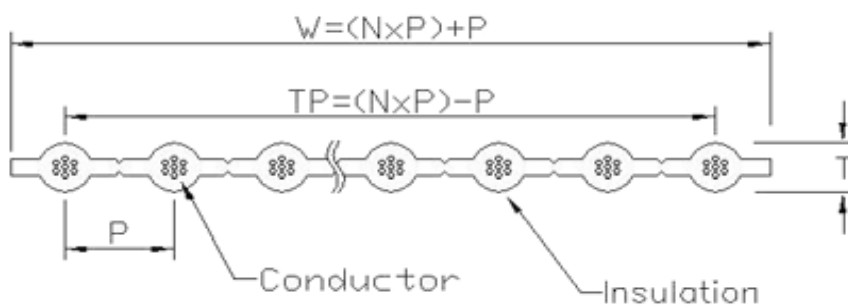
No of Conductor: 2~60Pos.

Conductor	Material	TOP COATED
	Size (AWG)	AWG24 (7x0,2046)
		AWG26 (7x0,16)
		AWG26 (7x0,127)

Insulation	Material	polyvinyl chloride (PVC) LF
	Thickness (T)	AWG24 1,2mm
		AWG26 1,04mm
		AWG28 0,92mm
Color	Grey	

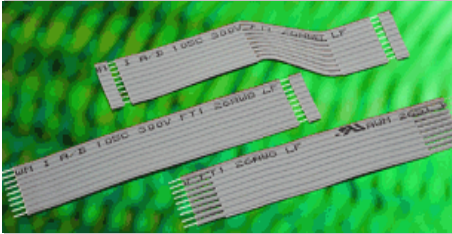
UL & CSA Grade

UL Style: 2651	CDA standard: C22.2 No>210.2-M90
Rated Temperature:	-.20°C to +105°C
Rated Voltage:	300V
Rated Current:	1A
Flame test: VW-1	Flame test: FT1, FT2



Flat Cable Pitch 2,54mm specification	
Part No.:	T29023
Customer:	

DRW:	Jason	CHKD	Jules	MATL:	Wu	DATE	12.12.2018
APPD:	Join			FINISH	Shieh	Sheet	1 from 4

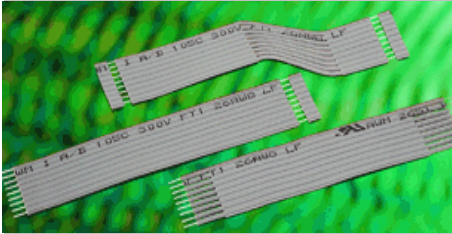


Construction Type

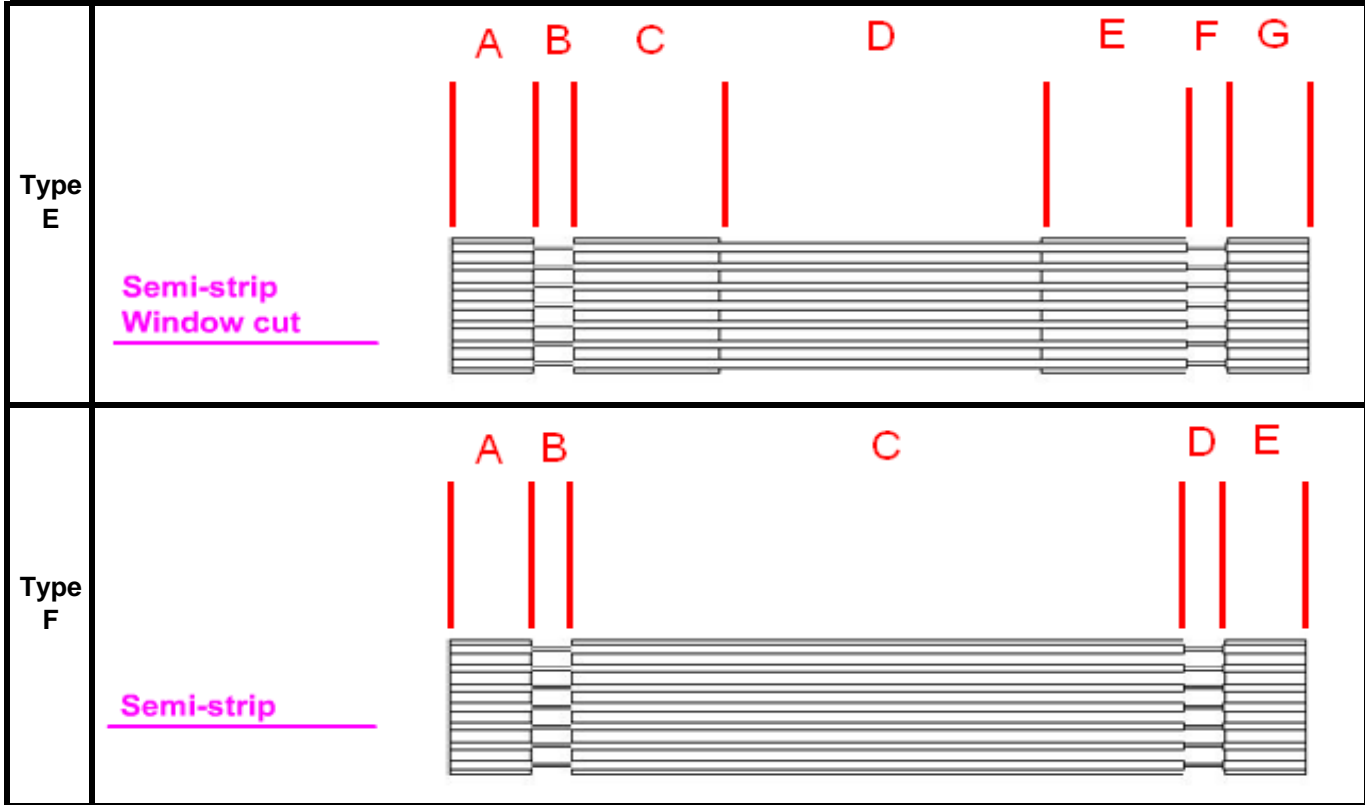
<p>Type A</p>	<p><u>Both ends strip</u></p>
<p>Type B</p>	<p><u>Window cut Both ends strip</u></p>
<p>Type C</p>	<p><u>Both ends U-cut Both ends strip</u></p>
<p>Type D</p>	<p><u>Semi-strip One ends U-cut</u></p>

Flat Cable Pitch 2,54mm specification	
Part No.:	T29023
Customer:	

DRW:	Jason	CHKD	Jules	MATL:	Wu	DATE	12.12.2018
APPD:	Join			FINISH	Shieh	Sheet	2 from 4



Construction Type



Flat Cable Pitch 2,54mm specification	
Part No.:	T29023
Customer:	

DRW:	Jason	CHKD	Jules	MATL:	Wu	DATE	12.12.2018
APPD:	Join			FINISH	Shieh	Sheet	2 from 4



Odering Code

Ordering Information

Serie	No of Conductor	Construction Type	Wire Size	Customer Number	Customer Cable No.	ROHS	Packing
-------	-----------------	-------------------	-----------	-----------------	--------------------	------	---------

T29023	xx	A	24	xxxxxx	001	R	BU
---------------	-----------	----------	-----------	---------------	------------	----------	-----------

xx Number of Conductor	A= Type A	24= AWG24
	B= Type B	26= AWG26
	C= Type C	28= AWG28
	D= Type D	
	E= Type E	
	F= Type F	

R= ROHS conform	BU= Bulk-Ware into Carton
N= NON ROHS conform	
	IV= Individual Package

Dimensions Informations	
Number of Position	
A	
B	
C	
D	
E	
F	
G	

Flat Cable Pitch 2,54mm specification	
Part No.:	T29023
Customer:	

DRW:	Jason	CHKD	Jules	MATL:	Wu	DATE	12.12.2018
APPD:	Join			FINISH	Shieh	Sheet	4 from 4

