



Flat Cable Pitch 1,0mm

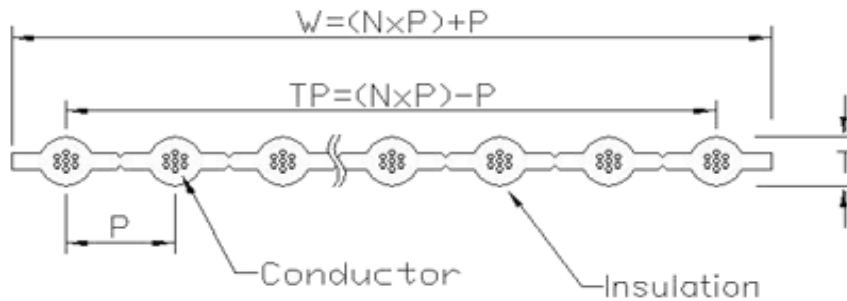
No of Conductor: 2~60Pos.

Conductor	Material	TOP COATED
	Size (AWG)	AWG24 (7/0,2046) / AWG26 (7/0,16)
		AWG28 (7/0,127)

Insulation	Material	polyvinyl chloride (PVC) LF
	Thickness (T)	AWG24 1,3mm / AWG 1,04mm / AWG28 0,92
	Color	Grey

UL & CSA Grade

UL Style: 2651	CDA standard: C22.2 No>210.2-M90
Rate Temperature: 105°C	Rated Temperature: 105°C
Rate voltage: 300V	Rated voltage: 300V
Flame test: VW-1	Flame test: FT1, FT2



P=1,00mm

Flat Cable Pitch 1,00mm specification	
Part No.:	T29018
Customer:	

DRW:	Jason	CHKD	Jules	MATL:	Wu	DATE	02.07.2009
APPD:	Join			FINISH	Shieh	Sheet	1 from 4

Copyright by EDCON-COMPONENTS H.Schmitt



Construction Type

<p>Type A</p>	<p><u>Both ends strip</u></p>
<p>Type B</p>	<p><u>Window cut Both ends strip</u></p>
<p>Type C</p>	<p><u>Both ends U-cut Both ends strip</u></p>
<p>Type D</p>	<p><u>Semi-strip One ends U-cut</u></p>

Flat Cable Pitch 1,00mm specification

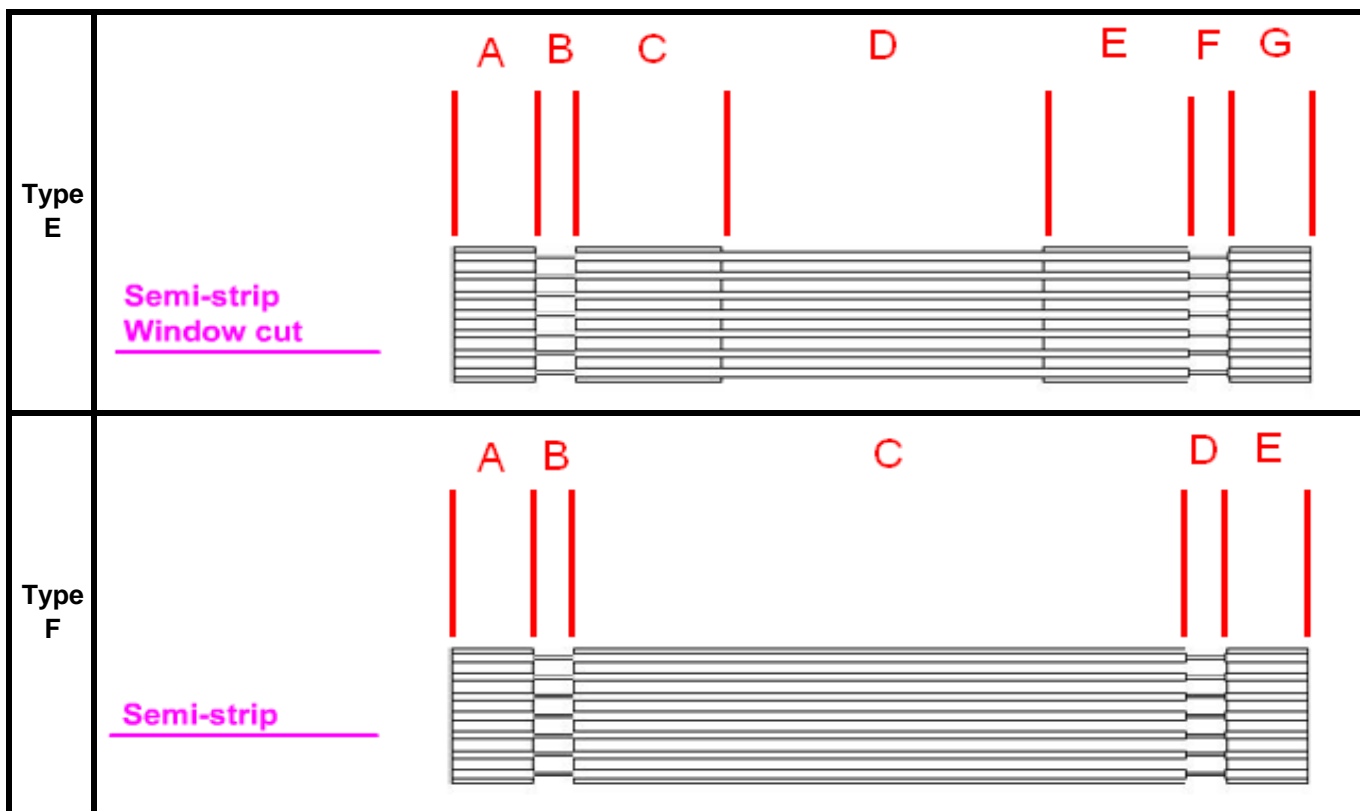
Part No.: **T29018**

Customer:

DRW:	Jason	CHKD	Jules	MATL:	Wu	DATE	02.07.2009
APPD:	Join			FINISH	Shieh	Sheet	2 from 4



Construction Type



Flat Cable Pitch 1,00mm specification	
Part No.:	T29018
Customer:	

DRW:	Jason	CHKD	Jules	MATL:	Wu	DATE	02.07.2009
APPD:	Join			FINISH	Shieh	Sheet	2 from 4



Ordering Code

Ordering Information

Serie	Construction Type	Construction Type	Customer Number	Customer Cable No.	ROHS	Packing
T29018	A	28	xxxxxx	001	R	BG101

A= Type A	28= AWG28
B= Type B	
C= Type C	
D= Type D	
E= Type E	
F= Type F	

R= ROHS conform	BG101= Polybag w. 100PCS
N= NON ROHS conform	BGxxx= Polybag w. xxxPCS

Dimensions Informations	
A	
B	
C	
D	
E	
F	
G	

Flat Cable Pitch 1,00mm specification	
Part No.:	T29018
Customer:	

DRW:	Jason	CHKD	Jules	MATL:	Wu	DATE	02.07.2009
APPD:	Join			FINISH	Shieh	Sheet	4 from 4