

EDCON-COMPONENTS



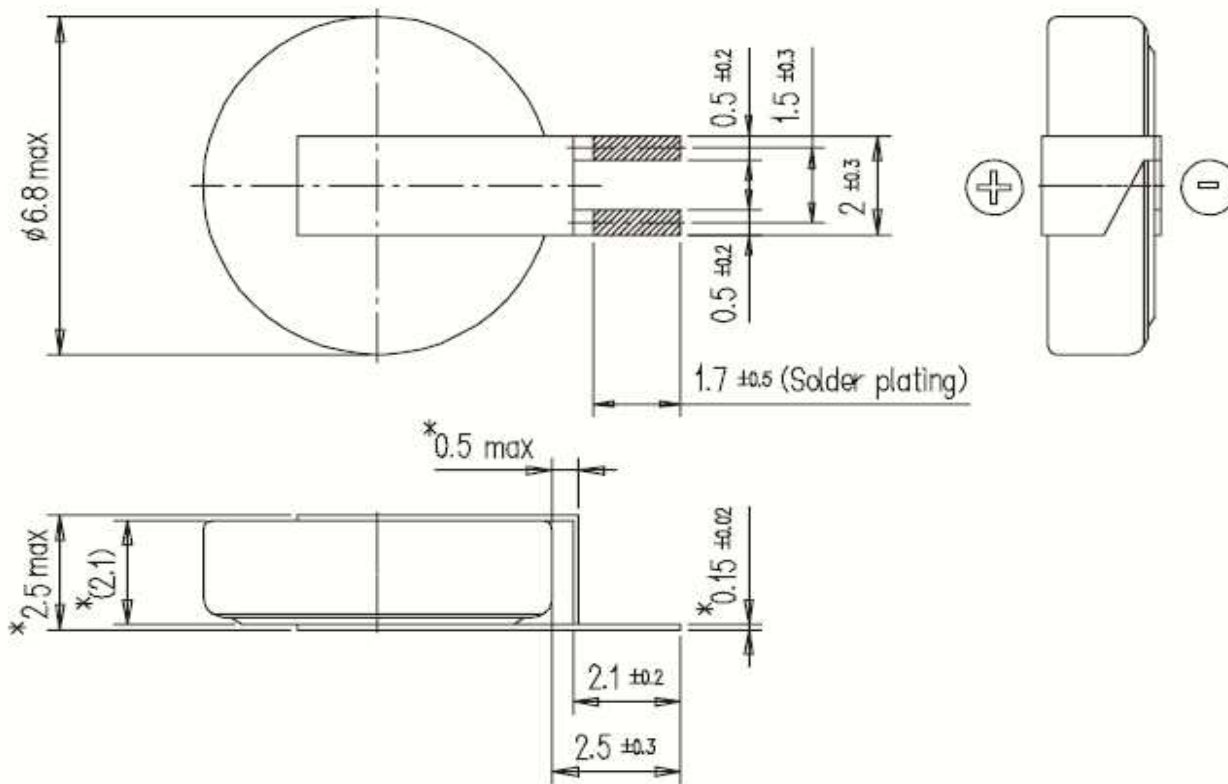
Features

- Small-Sized, but large capacity
- Unlike battery, unlimited charge / discharge cycle
- Reflow soldering method available

Features

- Ideal for solar watches, solar calculators, MP3, PMP
- Memory back-up for cellular phone, digital Camera; PDA

Drawing



SMT Goldcap

Part No.: **I33004**

Customer:

DRW:	Jason	CHKD	Wilson	MATL:	Wilson	TOLERANCE	Mason	DATE	17.05.2011
APPD:	Schumi			FINISH	Jamy		Sheet No.	1 from 4	

www.edcon-components.com

email: info@edcon-components.com

EDCON-COMPONENTS



Specifications

Items	Characteristics		
Rated working voltage	2,5VDC	2,8VDC	3,3VDC
Operating Temperature	-25 to + 70°C		-10 to + 60°C
Normal Cap. Range	0,33F (ESR 100Ω @1kHz)	0,33F (ESR 200Ω @1kHz)	0,22F (ESR 200Ω @1kHz)
		0,47F (ESR 200Ω @1kHz)	
Capacitance Tolerance	. -20% to +80% (at 25°C)		
Low Temperature (-25/-10°C) characteristics	Capacitance change: ≤ 30% of initial measured value at +25°C Internal resistance: Less than five time of the initial value + 25°C		
Endurance	Capacitance change: ≤ 30% of initial measured value Internal resistance: Less than five time of the initial value. (After 1000hours application of rated DC working voltage at +60°C, 70°C, the capacitor shall meet the following limits.)		
Shell Life	After 1000hours storage at +60°C, 70°C without load, the capacitor shall meet the specified limit for "Endurance"		

NOTE: Do not use reflow soldering when cell voltage is above 0,3V

SMT Goldcap

Part No.: **I33004**

DRW:	Jason	CHKD	Wilson	MATL:	Wilson	TOLERANCE	Mason	DATE	17.05.2011	Customer:
APPD:	Schumi			FINISH	Jamy		Sheet No.	2 from 4		

www.edcon-components.com

email: info@edcon-components.com

EDCON-COMPONENTS



Ordering Informations

Serie	Voltage	Range	Cap-Tol.	Special function	ROHS	Packing				
I33004	033	224	Z	N	R	TY				
033= 3,3 Volt	224= 0,22F	Z= -20% ~ +80°	N= special function	R= ROHS Conform	TY= Tray Packing					
				N= NON ROHS Conform	IV= Individual Packing					

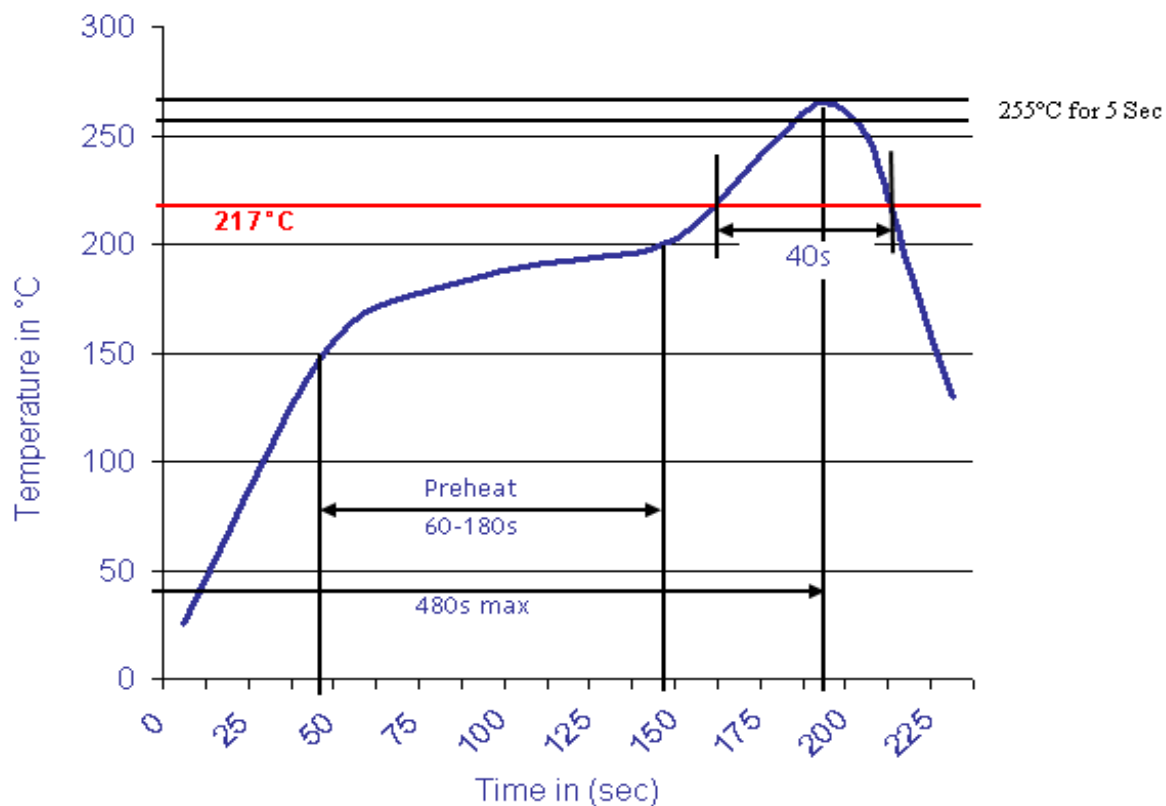
SMT Goldcap	
Part No.:	I33004
Customer:	

DRW:	Jason	CHKD	Wilson	MATL:	Wilson	TOLERANCE	Mason	DATE	17.05.2011
APPD:	Schumi			FINISH	Jamy		Sheet No.		3 from 4



Soldering Profile Curve

Classification Reflow Profile (JEDEC J-STD-020C)



SMT Goldcap	
Part No.:	I33004
Customer:	

DRW:	Jason	CHKD	Wilson	MATL:	Wilson	TOLERANCE	Mason	DATE	17.05.2011
APPD:	Schumi			FINISH	Jamy		Sheet No.	4 from 4	