

# EDCON-COMPONENTS



## SPECIFICATION:

Current Rating:	3 Ampere
Insulator Resistance:	5000 Megaohm min.
Dielectric Withstanding:	AC 1000V
Operating Temperature:	.-40°C to +105°C
Contact Material:	Copper, Alloy
Insulator Material:	Polyester, UL 94V-0
Standard:	P.B.T.
Contact Plating:	Tin, Gold or Selective Plated
Standard:	Gold Flash Overall

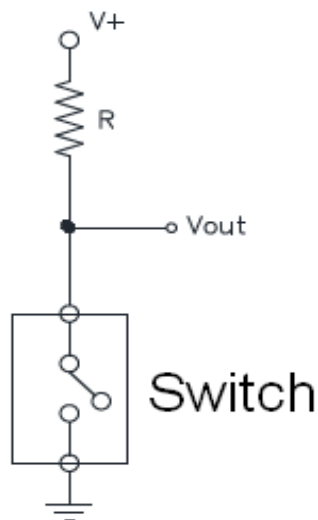
## Application

- Screen Rotation
- Web Camera
- Alarm System
- Iron Position Detecting
- Bicycle light s flashing
- Step counter

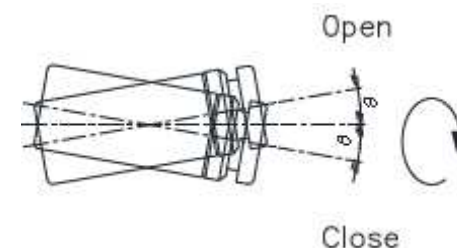
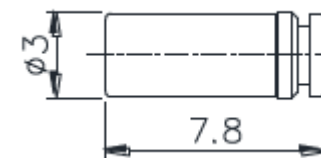
## Application

- Horizontal Tilt Detecting
- Vertical Rotation Detecting
- Shock Detecting

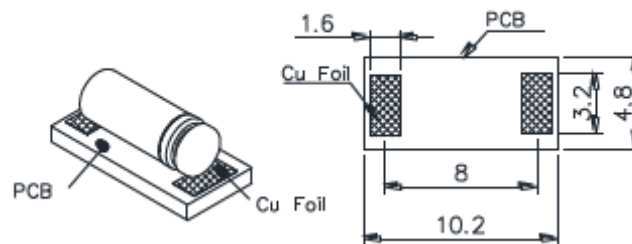
## Drawing (mm)



Switch



## P.C.B Layout



## TILT-Switch

Part No.: **Q30015**

Customer:

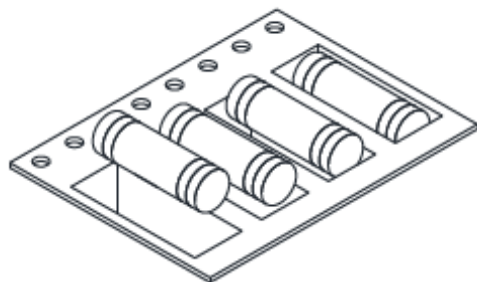
DRW:	Jason	CHKD	Wilson	MATL:	Wilson	TOLERANCE	Mason	DATE	23.07.2014
APPD:	Schumi			FINISH	Jamy		Sheet No.		1 from 4

# EDCON-COMPONENTS



## Electrical Characteristics

Contact Rating:	10mA, 5 VDC
Contact Resistance:	10 Ω max.
Angle Tolerance	
Insulation Resistance:	50M Ω min. at 100VDC
Dielectric Strength:	50 VDC min for 1 minute
Capacitance:	5pf max.
Conductive Rate:	90% min.
Operating Temperature	.-25°C + 85°C
Storage Temperature	.-40°C + 85°C
Humidity	40°C / 95% RH
Mechanical Life	2Hz, horizontal 1.000.000 cycles
Electrical Life	100.000 cycles
IR Reflow	Peak Temp. =255~260°C *3 times



## Features

Suitable for horizontal PCB  
 Tiny Size , suitable for small space  
 Gold plated ball and terminals, low possibility of oxidation  
 Simple ON and OFF signals, easy for design  
 All plastic materials subject to industrial purpose, resist high temperature and meet fireproof function  
 ROHS Compliance, an ideal substitute for mercury switch.  
 A more economical tilt and rotation detection option than IC design solution  
 Tilt detection and Rotation normal Open.

## PRECAUTION FOR USE

If the products is intended to be used for other endurance equipment requiring higher safety and reliability such as life support system, space and aviation devices, disaster and safety systems. It's necessary to make verification of conformity or contacts us for the detail before using.  
 Do not try to clean the switch with a solvent or similar substance after the soldering process.  
 Use water-soluble flux may damage the switch.  
 If soldering temperature exceeds our specification, sensor witch could get apart.  
 Do not use switch in the environment of high humidity, because such an environment may cause the leakage current between the terminals .  
 More than rated load may cause fire, so do not use more than the load.  
 In the circuit, switch should not be near or directly connected with the magnetic components solder joints / example Relay, Transformers, etc.

## TILT-Switch

Part No.: **Q30015**

Customer:

DRW:	Jason	CHKD	Wilson	MATL:	Wilson	TOLERANCE	Mason	DATE	23.07.2014
APPD:	Schumi			FINISH	Jamy		Sheet No.		2 from 4



### Ordering Informations

Serie	Electrical life	special function	special function	ROHS	Packing					
<b>Q30015</b>	<b>104</b>	<b>X</b>	<b>0</b>	<b>R</b>	<b>TR</b>					

<b>104</b> = 10000 cycles	<b>N</b> = no special function	<b>0</b> = no special function	<b>N</b> = non ROHS	<b>BU</b> = Bulk Ware
			<b>R</b> = ROHS conform	<b>TR</b> = Tape/Reel Packing

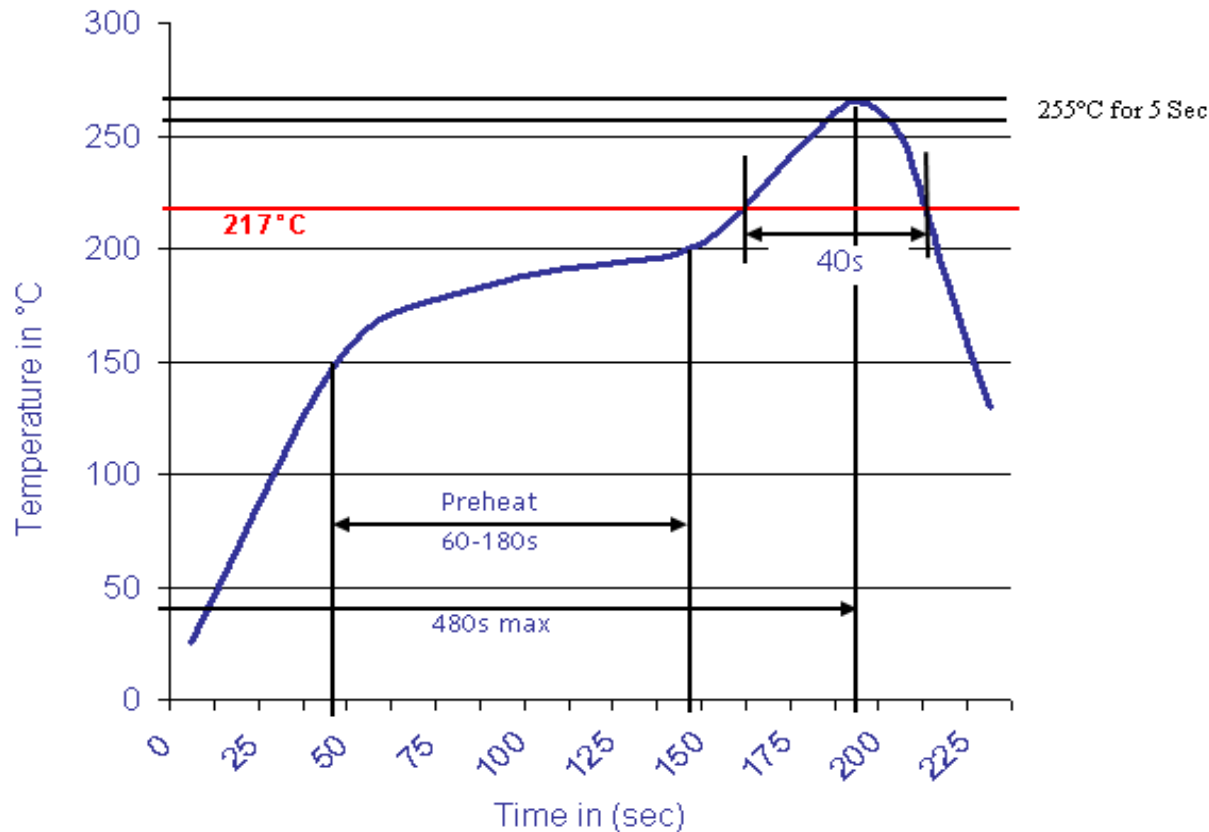
<b>TILT-Switch</b>	
Part No.:	<b>Q30015</b>
Customer:	

DRW:	Jason	CHKD	Wilson	MATL:	Wilson	TOLERANCE	Mason	DATE	23.07.2014
APPD:	Schumi			FINISH	Jamy		Sheet No.		3 from 4



**Soldering Profile Curve**

**Classification Reflow Profile (JEDEC J-STD-020C)**



<b>TILT-Switch</b>	
Part No.:	<b>Q30015</b>
Customer:	

DRW:	Jason	CHKD	Wilson	MATL:	Wilson	TOLERANCE	Mason	DATE	23.07.2014
APPD:	Schumi			FINISH	Jamy		Sheet No.	4 from 4	