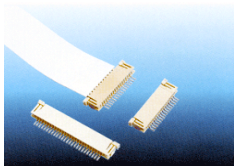


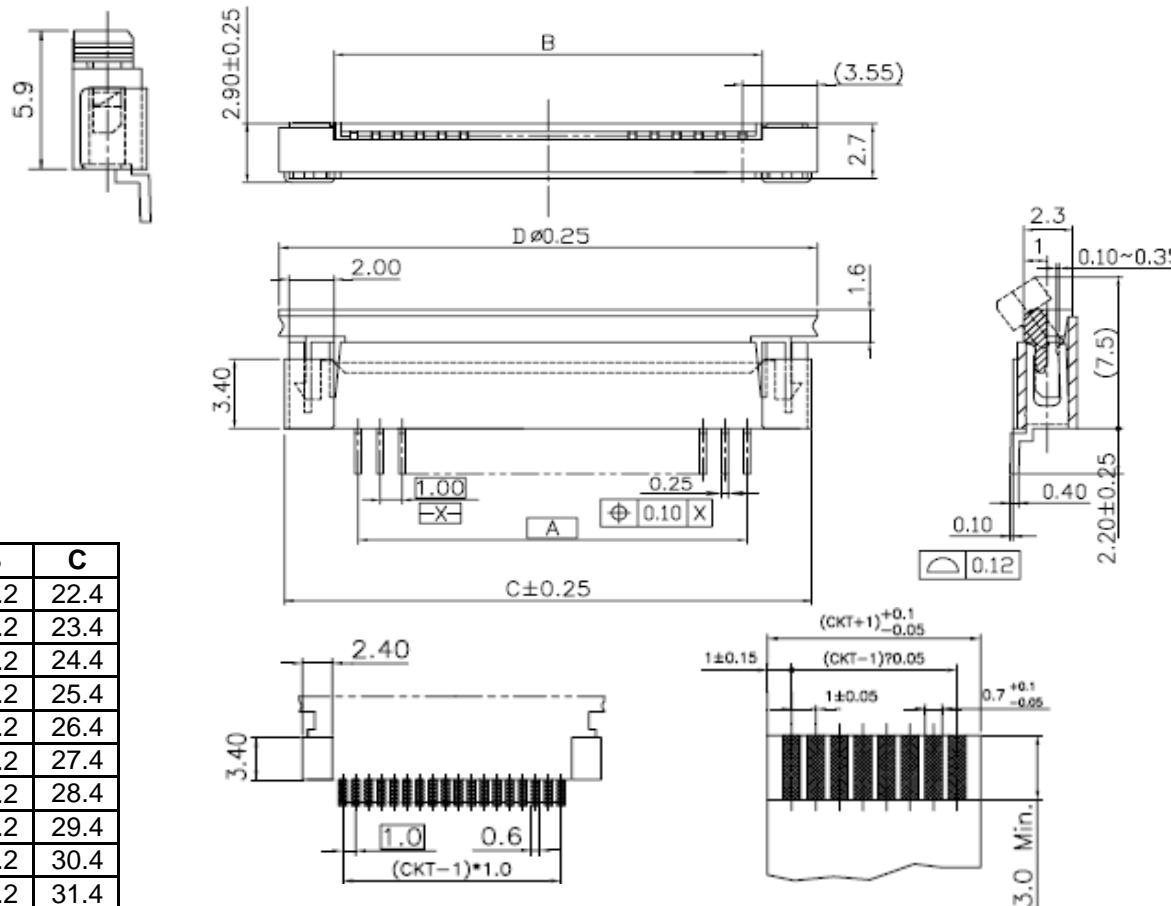
# EDCON-COMPONENTS



## Material

Housing: LCP UL94V-0  
 Cover: LCP  
 Latch: Phosphor Bronze  
 Terminal: Phosphor Bronze

Camber: 0.05 mm / cm  
 Deformation: NA  
 Wasp: 0.05 mm / cm  
 Twist: NA

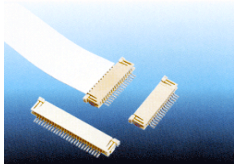


CKT	A	B	C	CKT	A	B	C
3	2	4.2	8.4	17	16	18.2	22.4
4	3	5.2	9.4	18	17	19.2	23.4
5	4	6.2	10.4	19	18	20.2	24.4
6	5	7.2	11.4	20	19	21.2	25.4
7	6	8.2	12.4	21	20	22.2	26.4
8	7	9.2	13.4	22	21	23.2	27.4
9	8	10.2	14.4	23	22	24.2	28.4
10	9	11.2	15.4	24	23	25.2	29.4
11	10	12.2	16.4	25	24	26.2	30.4
12	11	13.2	17.4	26	25	27.2	31.4
13	12	14.2	18.4	27	26	28.2	32.4
14	13	15.2	19.4	28	27	29.2	33.4
15	14	16.2	20.4	29	28	30.2	34.4
16	15	17.2	21.4	30	29	31.2	35.4

**Non-Zif FPC / FFC Connector**  
**Pitch: 1.00mm**

Part No.: **T28F014**

DRW:	Jason	CHKD	Wilson	MATL:	Wilson	TOLERANCE	Mason	DATE	12.07.2010	Customer:
APPD:	Schumi			FINISH	Jamy		Sheet No.	1 from 3		

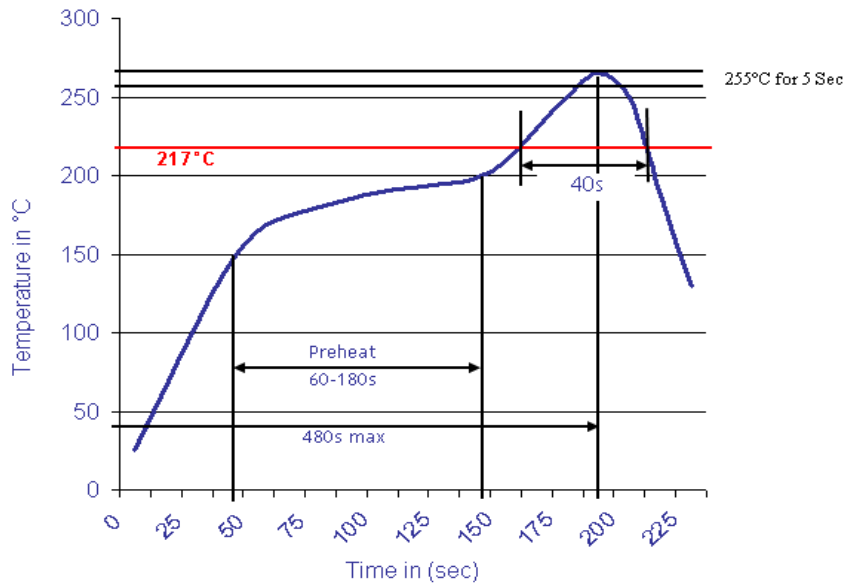


## Odering Information

Serie	-	Number of Contact	Contact Plating	Insulator Color	Packing Style					
T28F014	-	03	T	2	TU					
EDCON-Serie	-	03 = 3 Con. ... 30 = 30 Con.	T = Tin Plated G = Flash Gold	2 = Ivory (Standard) 1 = Black	TU = Tube (Standard) TR = Tape Reel (on Request)					

## Soldering Profile Curve

Classification Reflow Profile (JEDEC J-STD-020C)



<b>Non-Zif FPC / FFC Connector</b> <b>Pitch: 1.00mm</b>	
Part No.:	<b>T28F014</b>

DRW:	Jason	CHKD	Wilson	MATL:	Wilson	TOLERANCE	Mason	DATE	12.07.2010	Customer:
APPD:	Schumi			FINISH	Jamy		Sheet No.	2 from 3		