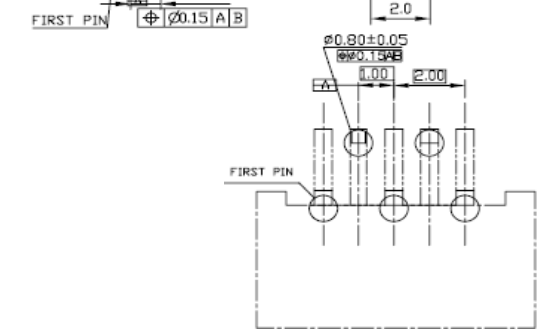
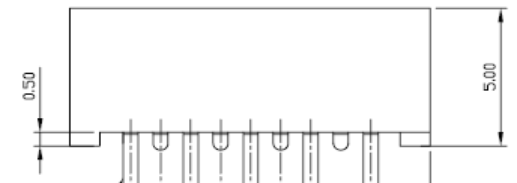
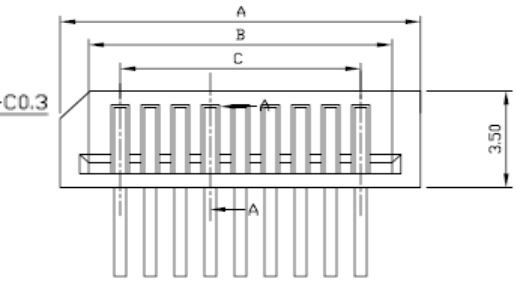
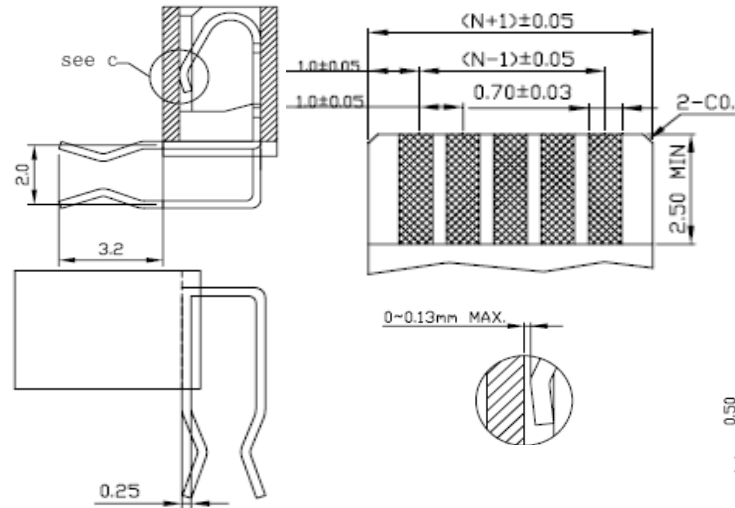


EDCON-COMPONENTS



Material

Housing: Nylon UL94V-0
Terminal: Phosphor Bronze



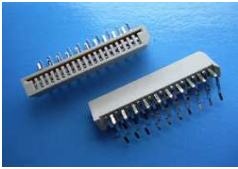
CKT	A	B	C	CKT	A	B	C
3	6	4.1	2	18	21	19.1	17
4	7	5.1	3	19	22	20.1	18
5	8	6.1	4	20	23	21.1	19
6	9	7.1	5	21	24	22.1	20
7	10	8.1	6	22	25	23.1	21
8	11	9.1	7	23	26	24.1	22
9	12	10.1	8	24	27	25.1	23
10	13	11.1	9	25	28	26.1	24
11	14	12.1	10	26	29	27.1	25
12	15	13.1	11	27	30	28.1	26
13	16	14.1	12	28	31	29.1	27
14	17	15.1	13	29	32	30.1	28
15	18	16.1	14	30	33	31.1	29
16	19	17.1	15	31	34	32.1	30
17	20	18.1	16	32	35	33.1	31

Non-Zif FPC / FFC Connector
Pitch: 1.00mm

Part No.: **T28F002**

DRW:	Jason	CHKD	Wilson	MATL:	Wilson	TOLERANCE	Mason	DATE	12.07.2010	Customer:
APPD:	Schumi			FINISH	Jamy			Sheet No.	1 from 3	

EDCON-COMPONENTS

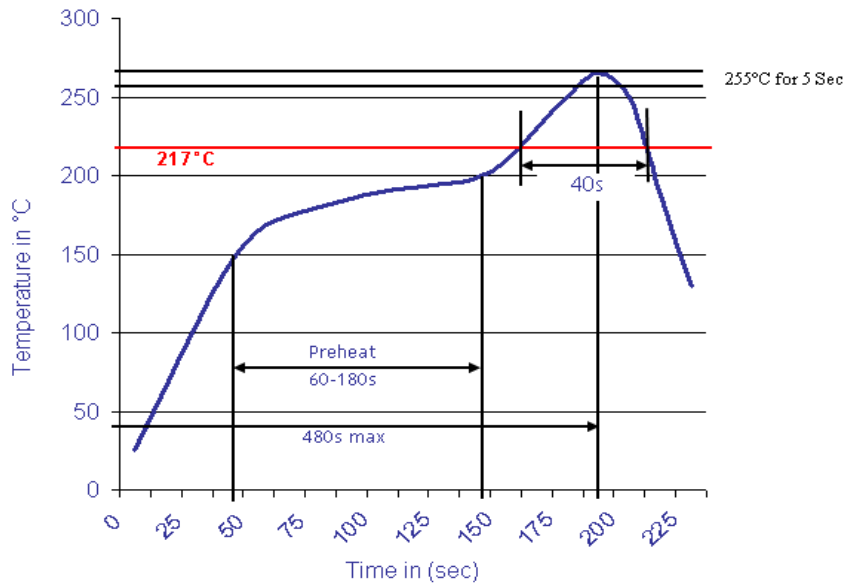


Ordering Information

Serie	-	Number of Contact	Contact Plating	Insulator Color	Packing Style					
T28F002	-	03	T	1	TU					
EDCON-Serie	-	03 = 3 Con. ... 32 = 32 Con.	T = Tin Plated G = Flash Gold	1 = Black (Standard) 2 = Ivory	TU = Tube (Standard) TR = Tape Reel (on Request)					

Soldering Profile Curve

Classification Reflow Profile (JEDEC J-STD-020C)



Non-Zif FPC / FFC Connector	
Pitch: 1.00mm	
Part No.:	T28F002

DRW:	Jason	CHKD	Wilson	MATL:	Wilson	TOLERANCE	Mason	DATE	12.07.2010	Customer:
APPD:	Schumi			FINISH	Jamy		Sheet No.	2 from 3		