



Technical Specification

Insulator Material:	
Contact Resistance:	30m Ohm max.
Insulator Resistance:	1000M Ohm max.
Temperature Rating:	-.55°C ~ 85°C
Contact Material:	Phosphor Bronze
Contact:	Nickel Plate
Dielectric Voltage:	750VAC
Durability:	50 Cycles min.
Application for:	Coin Type 1 Cells of
Battery Type:	2025, 2032
Height:	7,4mm
Length:	15,5mm
Width:	21,1mm

Ordering Information

Serie	Contact Material	Contact Plating	ROHS	Packing		
-------	------------------	-----------------	------	---------	--	--

B23131	-	PB	NI	R	BU	
---------------	---	-----------	-----------	----------	-----------	--

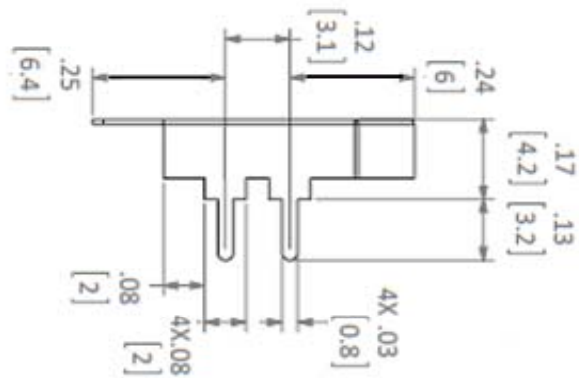
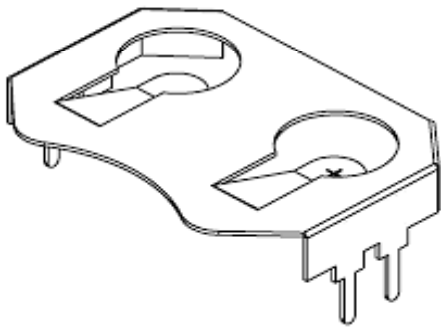
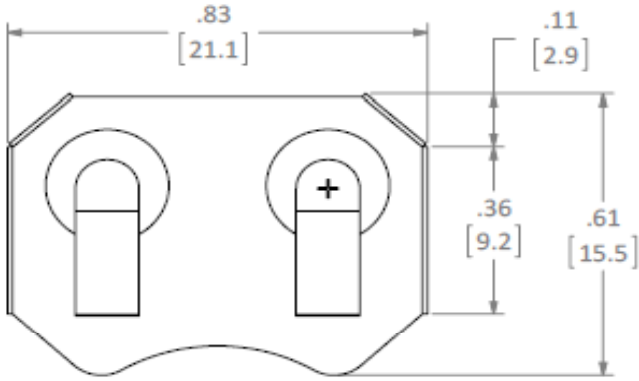
PB= Phosphor Bronze		N= Non ROHS	BU= Bulk- Ware
		R= ROHS Conform	TR= Tape / Reel
	NI= Nickel plated		

Battery Coin Cell Holder for CR 20xx Battery	
Part No.:	B23131
Customer:	

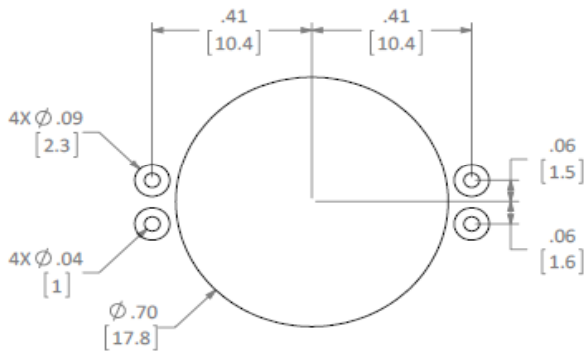
DRW:	Jason	CHKD	Jules	MATL:	Wu	DATE	26.03.2021
APPD:	Join			FINISH	Shieh	Sheet	1 from 3



Technical Dimensions (inch / mm)



PCB Layout (inch / mm)



**Battery Coin Cell Holder
 for CR 20xx Battery**

Part No.: **B23131**

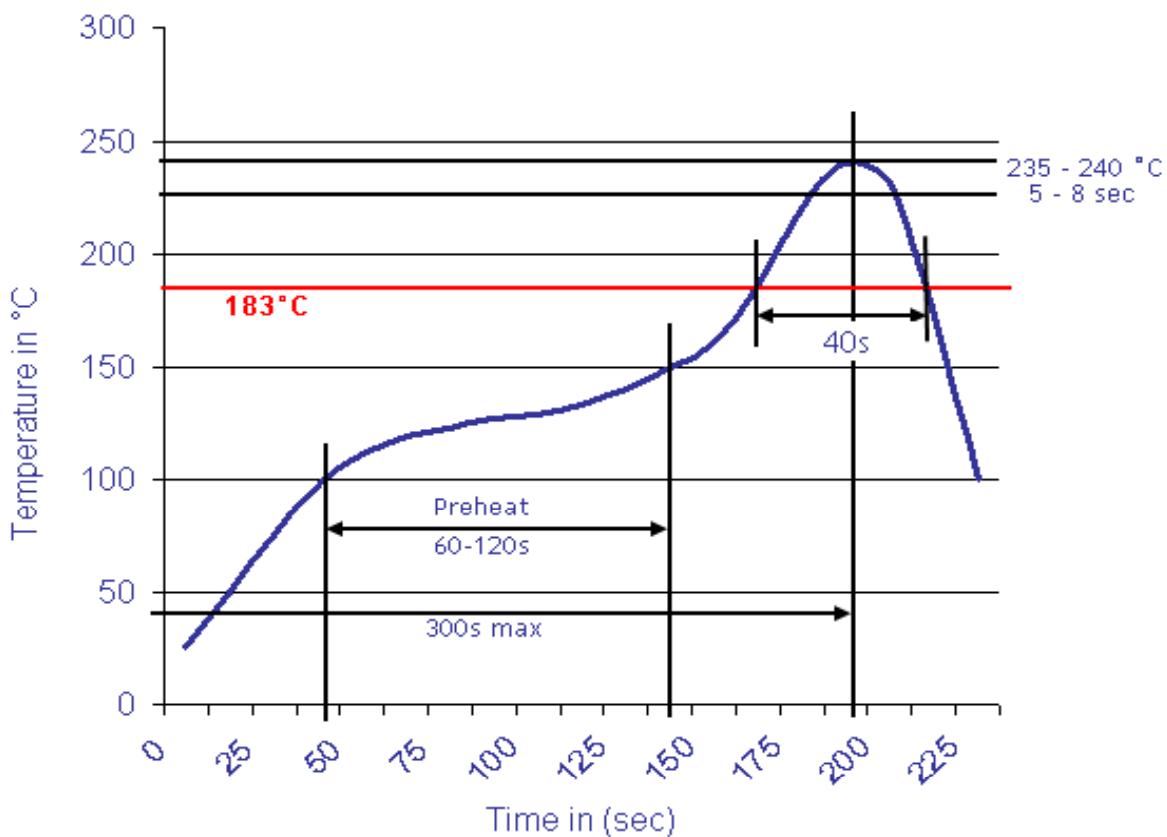
Customer:

DRW:	Jason	CHKD	Jules	MATL:	Wu	DATE	26.03.2021
APPD:	Join			FINISH	Shieh	Sheet	2 from 3



Soldering Profile Curve

Classification Reflow Profile (JEDEC J-STD-020C)



Battery Coin Cell Holder for CR 20xx Battery	
Part No.:	B23131
Customer:	

DRW:	Jason	CHKD	Jules	MATL:	Wu	DATE	26.03.2021
APPD:	Join			FINISH	Shieh	Sheet	3 from 3