



Technical Specification

Insulator Material:
 Contact Resistance: 30m Ohm max.
 Insulator Resistance: 1000M Ohm max.
 Temperature Rating: -55°C ~ 85°C
 Contact Material: Phosphor Bronze
 Contact: Nickel Plate
 Dielectric Voltage: 750VAC
 Durability: 50 Cycles min.
 Application for: Coin Type 1 Cells of
 Battery Type: 2430

Dimension of Holder

Inch					
A	B	E	H	L	W
1,000	0,506	0,265	0,156	0,918	1,055

mm					
A	B	E	H	L	W
25,4	12,9	6,7	4,0	23,3	26,8

Ordering Information

Serie	Contact Material	Contact Plating	ROHS	Packing		
-------	------------------	-----------------	------	---------	--	--

B23107	-	PB	NI	R	BU	
---------------	---	-----------	-----------	----------	-----------	--

PB= Phosphor Bronze		N= Non ROHS	BU= Bulk- Ware
		R= ROHS Conform	TR= Tape / Reel
	NI= Nickel plated		

Battery Coin Cell Holder

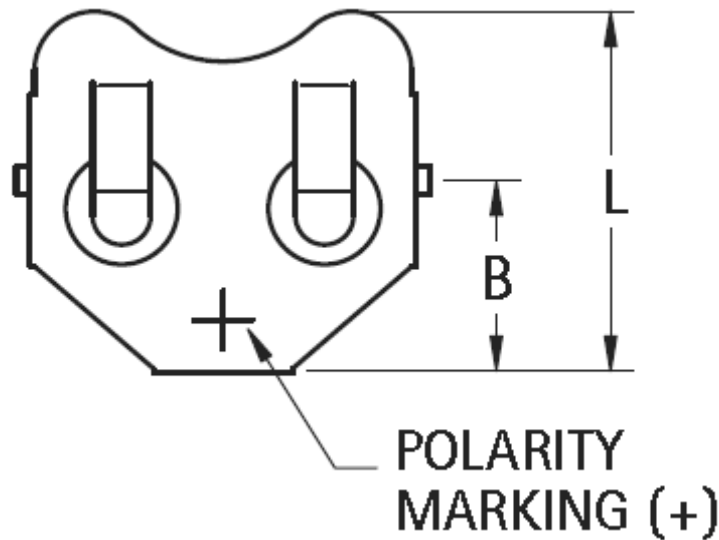
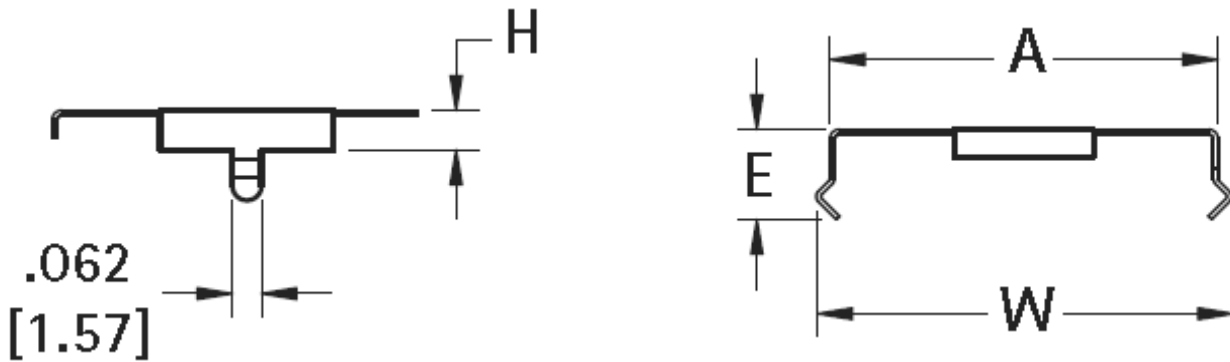
Part No.: **B23107**

Customer:

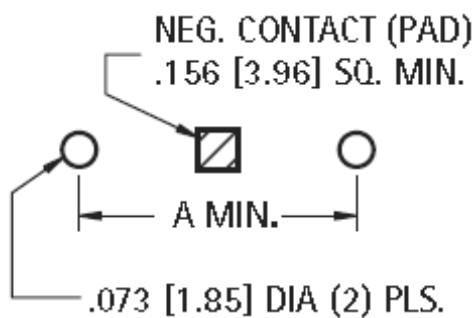
DRW:	Jason	CHKD	Jules	MATL:	Wu	DATE	02.11.2018
APPD:	Join			FINISH	Shieh	Sheet	1 from 3



Technical Dimensions (inch / mm)



PCB Layout (inch / mm)



Battery Coin Cell Holder

Part No.: **B23107**

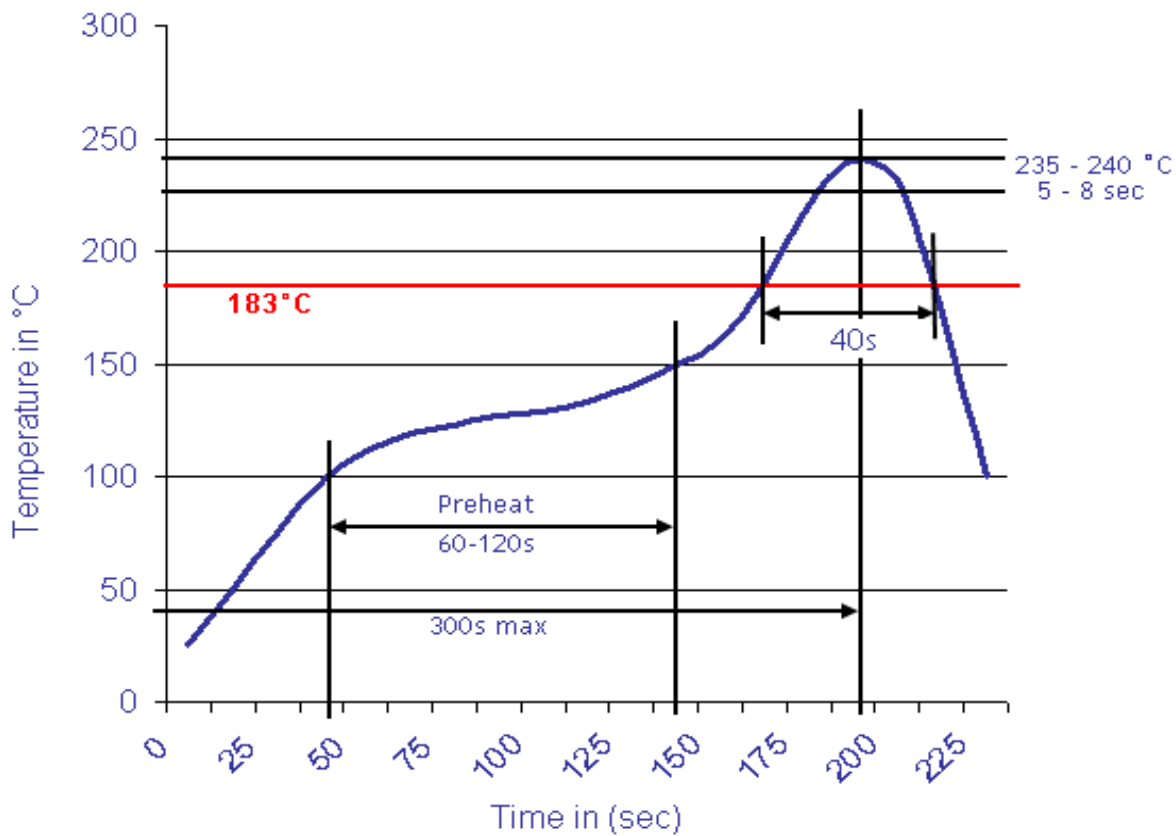
Customer:

DRW:	Jason	CHKD	Jules	MATL:	Wu	DATE	02.11.2018
APPD:	Join			FINISH	Shieh	Sheet	2 from 3



Soldering Profile Curve

Classification Reflow Profile (JEDEC J-STD-020C)



Battery Coin Cell Holder	
Part No.:	B23107
Customer:	

DRW:	Jason	CHKD	Jules	MATL:	Wu	DATE	02.11.2018
APPD:	Join			FINISH	Shieh	Sheet	3 from 3