



### Technical Specification

Insulator Material:	
Contact Resistance:	30m Ohm max.
Insulator Resistance:	1000M Ohm max.
Temperature Rating:	.-55°C ~ 85°C
Contact Material:	Phosphor Bronze
Contact:	Nickel Plate
Dielectric Voltage:	750VAC
Durability:	50 Cycles min.
Application for:	Coin Type 1 Cells of
Battery Type:	2477

### Dimension of Holder

Inch					
A	B	E	H	L	W
1,000	0,506	0,450	0,336	0,890	1,059

mm					
A	B	E	H	L	W
25,4	12,9	11,4	8,5	22,5	26,9

### Ordering Information

Serie	Contact Material	Contact Plating	ROHS	Packing		
-------	------------------	-----------------	------	---------	--	--

<b>B23105</b>	-	<b>PB</b>	<b>NI</b>	<b>R</b>	<b>BU</b>	
---------------	---	-----------	-----------	----------	-----------	--

<b>PB=</b> Phosphor Bronze		<b>N=</b> Non ROHS	<b>BU=</b> Bulk- Ware
		<b>R=</b> ROHS Conform	<b>TR=</b> Tape / Reel
	<b>NI=</b> Nickel plated		

### Battery Coin Cell Holder

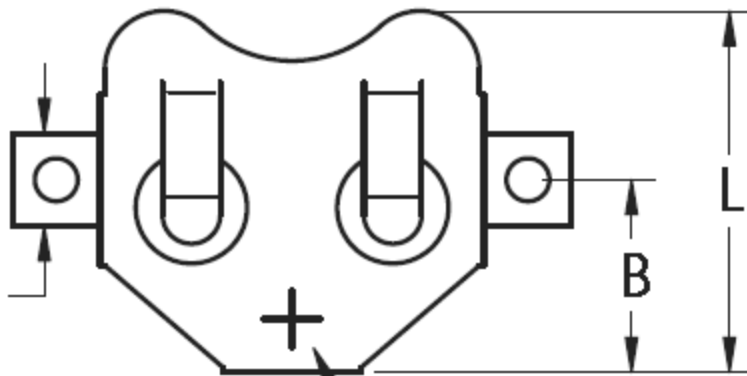
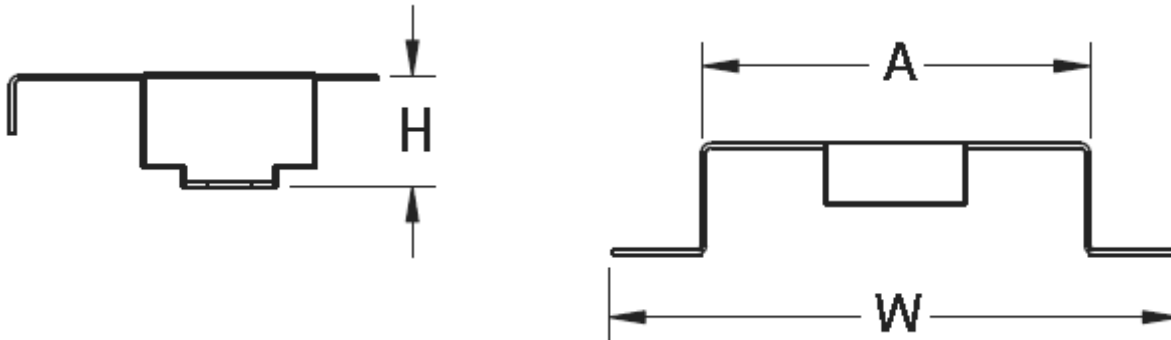
Part No.: **B23105**

Customer:

DRW:	Jason	CHKD	Jules	MATL:	Wu	DATE	02.11.2018
APPD:	Join			FINISH	Shieh	Sheet	1 from 3

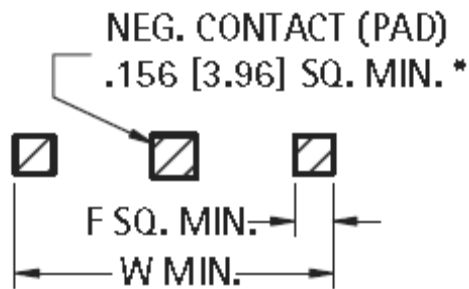


**Technical Dimensions (inch / mm)**



**POLARITY MARKING (+)**

**PCB Layout (inch / mm)**



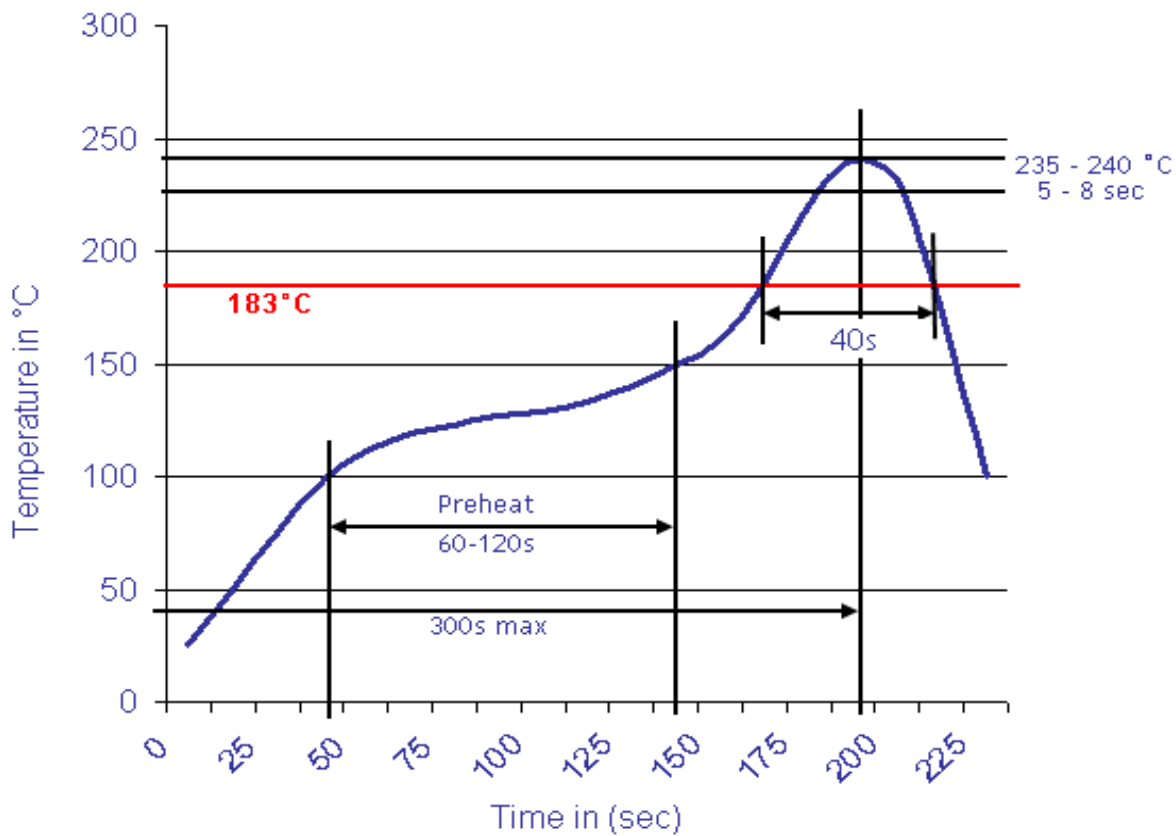
<b>Battery Coin Cell Holder</b>	
Part No.:	<b>B23105</b>
Customer:	

DRW:	Jason	CHKD	Jules	MATL:	Wu	DATE	02.11.2018
APPD:	Join			FINISH	Shieh	Sheet	2 from 3



**Soldering Profile Curve**

**Classification Reflow Profile (JEDEC J-STD-020C)**



**Battery Coin Cell Holder**

Part No.: **B23105**

Customer:

DRW:	Jason	CHKD	Jules	MATL:	Wu	DATE	02.11.2018
APPD:	Join			FINISH	Shieh	Sheet	3 from 3