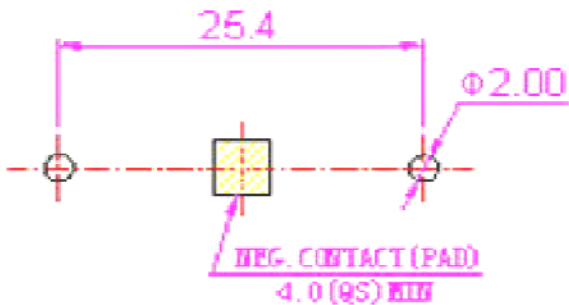
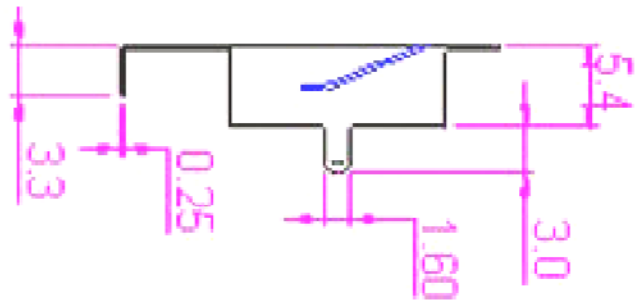
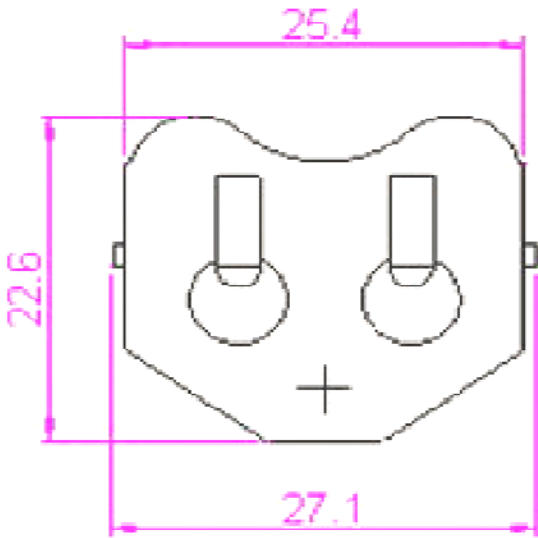




Technical Specification

Insulator Material:	Not available
Contact Resistance:	30m Ohm max.
Insulator Resistance:	100M Ohm max.
Temperature Rating:	-.55°C ~ 85°C
Contact Material:	Phosphor Bronze
Contact:	Nickel Plate
Dielectric Voltage:	500V/AC minute
Durability:	50 Cycles min.
Application for:	Coin Type 1 Cells of
Battery Type:	2450

Dimension of Holder



PCB Layout

Battery Coin Cell Holder	
Part No.:	B23104
Customer:	
DATE	18.04.2019
Sheet	1 from 2

DRW:	Jason	CHKD	Jules	MATL:	Wu	DATE	18.04.2019
APPD:	Join			FINISH	Shieh	Sheet	1 from 2



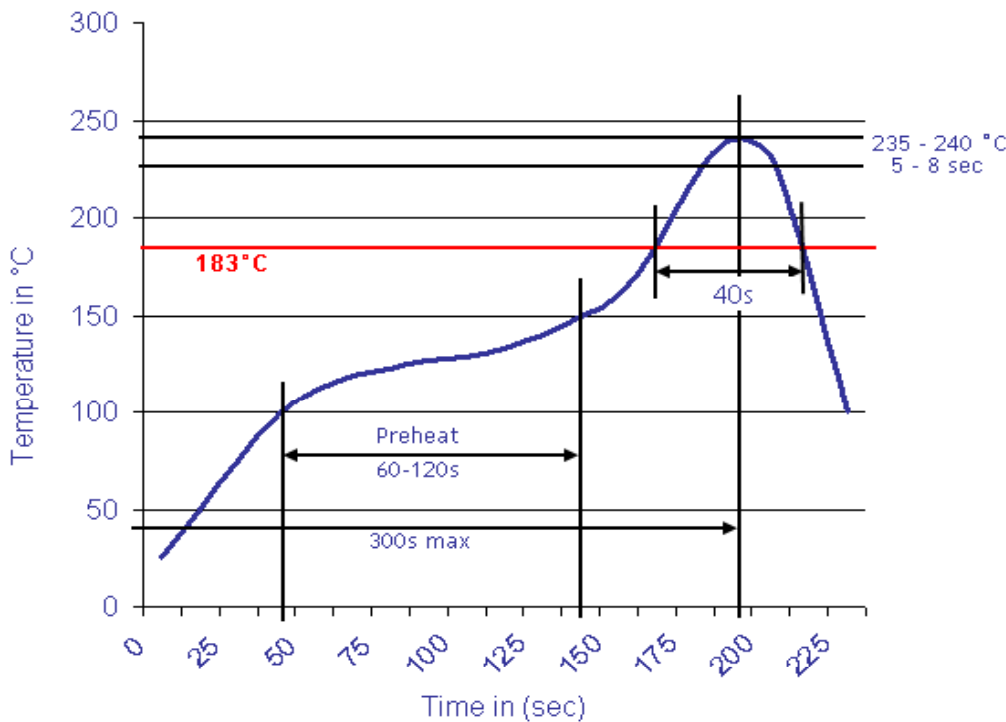
Ordering Information

Serie	Contact Material	Contact Plating	ROHS	Packing		
B23104	PB	NI	R	BU		

PB= Phosphor Bronze		N= Non ROHS	BU= Bulk- Ware
		R= ROHS Conform	TY= TRAY / Packing
	NI= Nickel plated		

Soldering Profile Curve

Classification Reflow Profile (JEDEC J-STD-020C)



Battery Coin Cell Holder	
Part No.:	B23104
Customer:	

DRW:	Jason	CHKD	Jules	MATL:	Wu	DATE	18.04.2019
APPD:	Join			FINISH	Shieh	Sheet	2 from 2