



Technical Specification

Insulator Material:	
Contact Resistance:	30m Ohm max.
Insulator Resistance:	1000M Ohm max.
Temperature Rating:	-.55°C ~ 85°C
Contact Material:	Phosphor Bronze
Contact:	Nickel Plate
Dielectric Voltage:	750VAC
Durability:	50 Cycles min.
Application for:	Coin Type 1 Cells of
Battery Type:	2016, 2020, 2025, 2032

Dimension of Holder look Drawing

Inch					

mm					

Ordering Information

Serie	Contact Material	Contact Plating	ROHS	Packing		
-------	------------------	-----------------	------	---------	--	--

B23101	-	PB	NI	R	BU	
---------------	---	-----------	-----------	----------	-----------	--

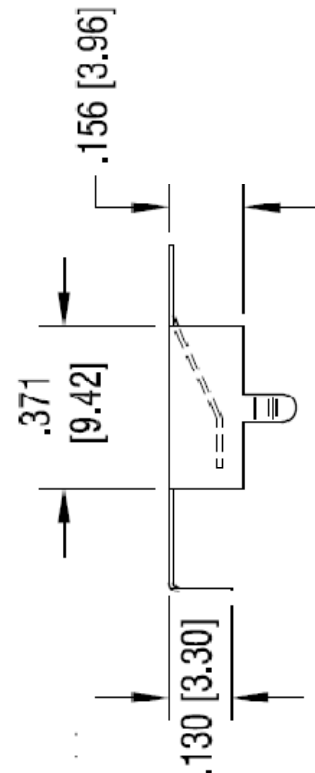
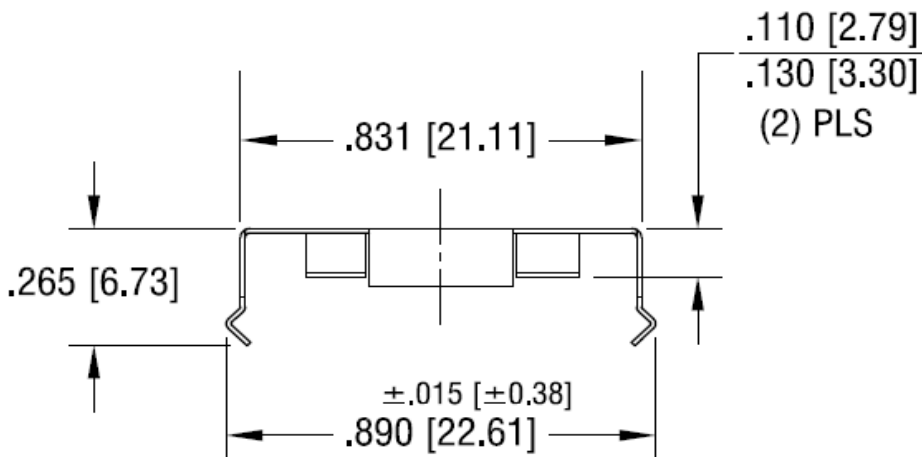
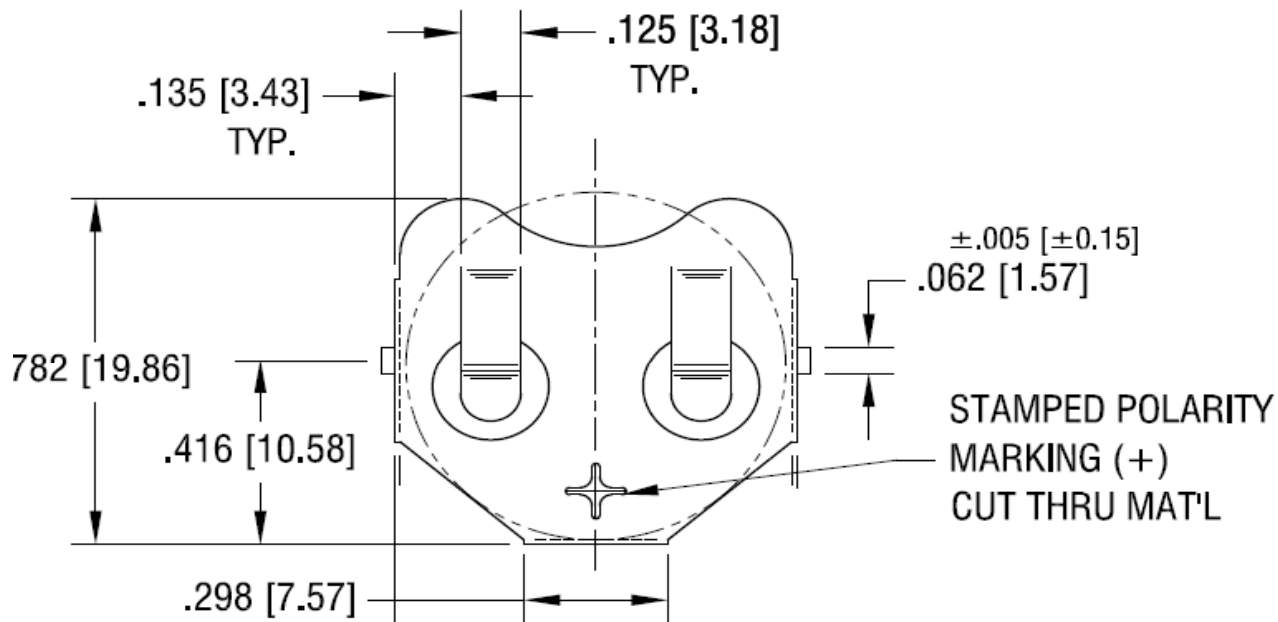
PB= Phosphor Bronze		N= Non ROHS	BU= Bulk- Ware
		R= ROHS Conform	
	NI= Nickel plated		

THT Battery Coin Cell Holder 2032	
Part No.:	B23101
Customer:	

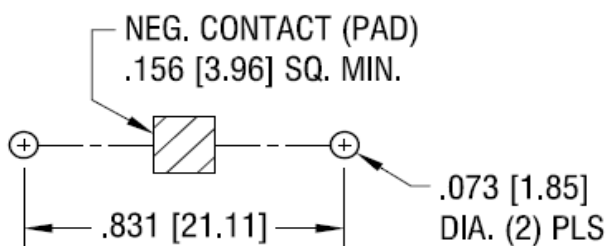
DRW:	Jason	CHKD	Jules	MATL:	Wu	DATE	12.08.2021
APPD:	Join			FINISH	Shieh	Sheet	1 from 3



Technical Dimensions (inch / mm)



PCB Layout (inch / mm)

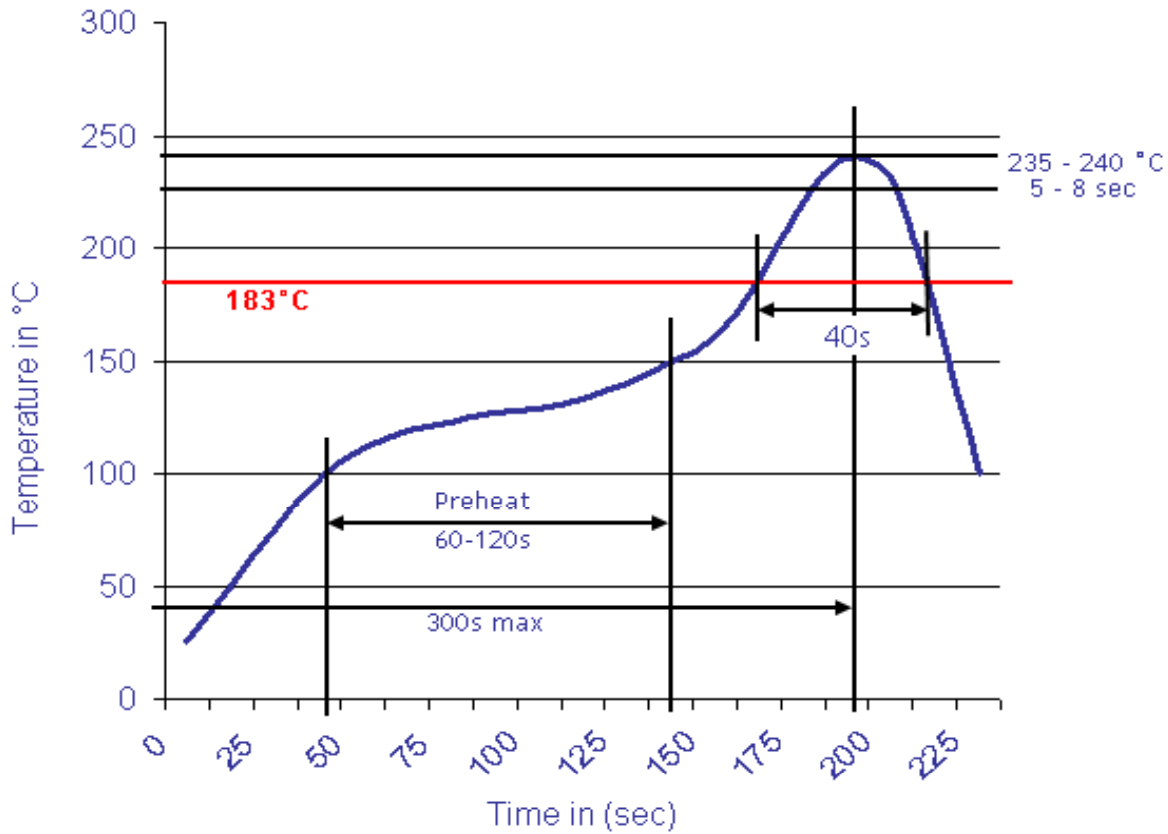


THT Battery Coin Cell Holder 2032	
Part No.:	B23101
Customer:	
DRW:	Jason
CHKD:	Jules
MATL:	Wu
APPD:	Join
FINISH:	Shieh
DATE:	12.08.2021
Sheet:	2 from 3



Soldering Profile Curve

Classification Reflow Profile (JEDEC J-STD-020C)



THT Battery Coin Cell Holder 2032	
Part No.:	B23101
Customer:	

DRW:	Jason	CHKD	Jules	MATL:	Wu	DATE	12.08.2021
APPD:	Join			FINISH	Shieh	Sheet	3 from 3