



Technical Specification

Insulator Material:	
Contact Resistance:	30m Ohm max.
Insulator Resistance:	1000M Ohm max.
Temperature Rating:	.-55°C ~ 85°C
Contact Material:	Phosphor Bronze
Contact:	Nickel Plate
Dielectric Voltage:	750VAC
Durability:	50 Cycles min.
Application for:	Coin Type 1 Cells of
Battery Type:	1616, 1612, 1620, 1632

Dimension of Holder

Inch					
A	B	E	H	L	W
0,664	0,344	0,265	0,156	0,594	0,723

mm					
A	B	E	H	L	W
16,9	8,7	6,7	4,0	15,1	18,4

Ordering Information

Serie	Contact Material	Contact Plating	ROHS	Packing		
-------	------------------	-----------------	------	---------	--	--

B23100	-	PB	NI	R	BU	
---------------	---	-----------	-----------	----------	-----------	--

PB= Phosphor Bronze		N= Non ROHS	BU= Bulk- Ware
		R= ROHS Conform	TR= Tape / Reel
	NI= Nickel plated		

Battery Coin Cell Holder

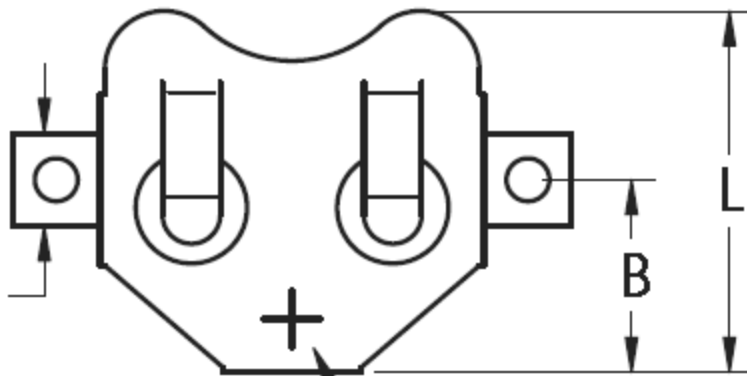
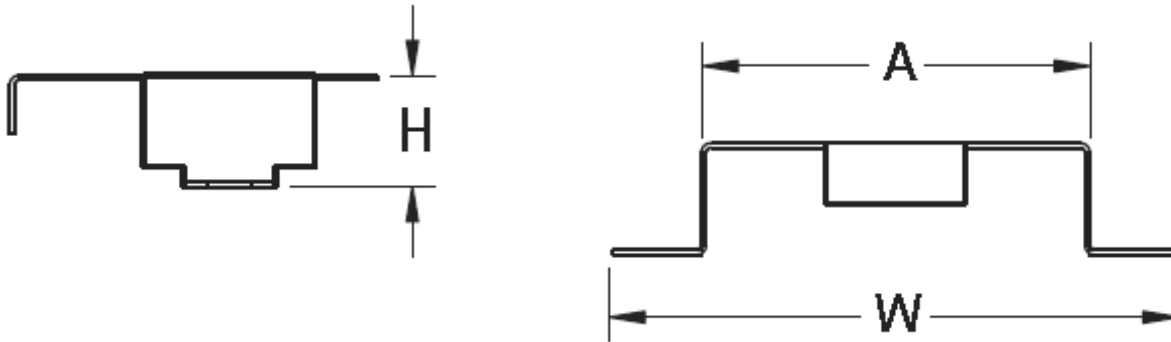
Part No.: **B23100**

Customer:

DRW:	Jason	CHKD	Jules	MATL:	Wu	DATE	02.11.2018
APPD:	Join			FINISH	Shieh	Sheet	1 from 3

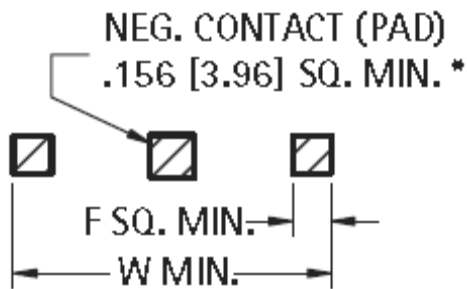


Technical Dimensions (inch / mm)



POLARITY MARKING (+)

PCB Layout (inch / mm)



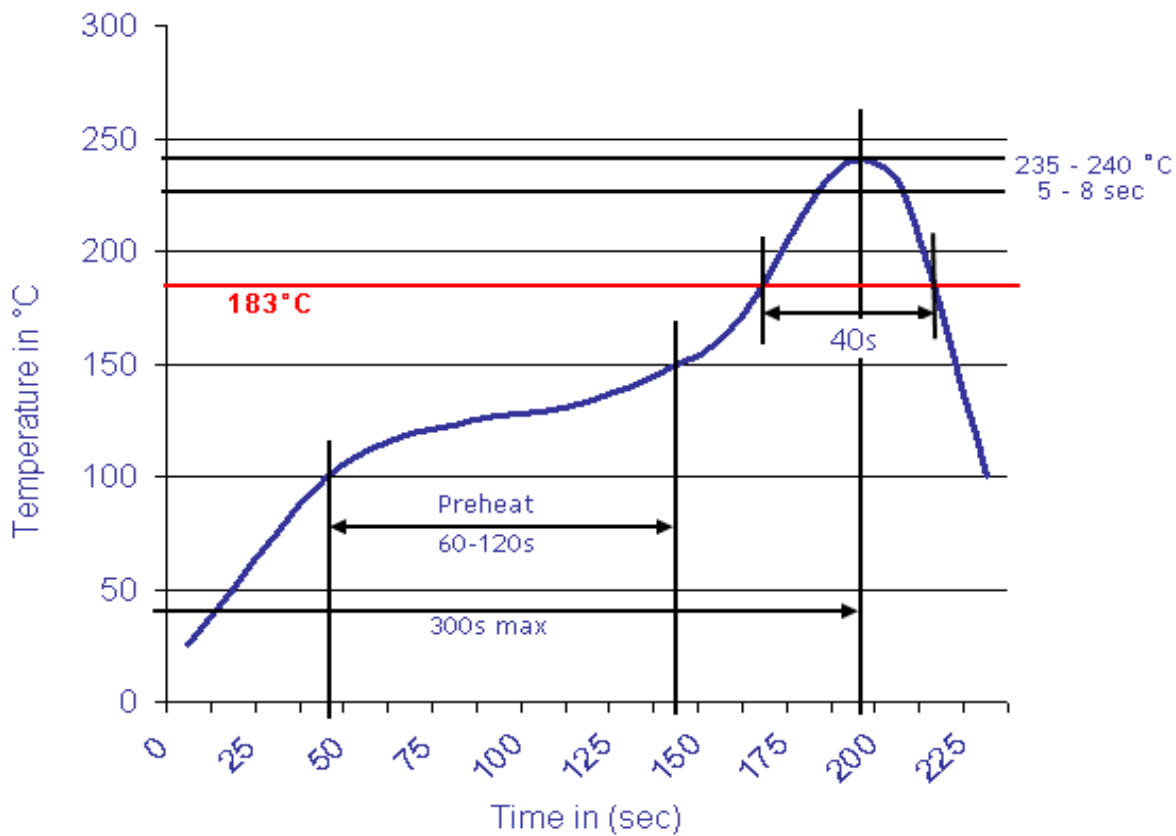
Battery Coin Cell Holder	
Part No.:	B23100
Customer:	

DRW:	Jason	CHKD	Jules	MATL:	Wu	DATE	02.11.2018
APPD:	Join			FINISH	Shieh	Sheet	2 from 3



Soldering Profile Curve

Classification Reflow Profile (JEDEC J-STD-020C)



Battery Coin Cell Holder	
Part No.:	B23100
Customer:	

DRW:	Jason	CHKD	Jules	MATL:	Wu	DATE	02.11.2018
APPD:	Join			FINISH	Shieh	Sheet	3 from 3