



**Technical Specification**

Insulator Material:	
Contact Resistance:	30m Ohm max.
Insulator Resistance:	1000M Ohm max.
Temperature Rating:	-.55°C ~ 85°C
Contact Material:	Phosphor Bronze
Contact:	Nickel Plate
Dielectric Voltage:	750VAC
Durability:	50 Cycles min.
Application for:	Coin Type 1 Cells of
Battery Type:	2016, 2020, 2025, 2032

**Dimension of Holder**

Inch					

mm					

**Ordering Information**

Serie	Contact Material	Contact Plating	ROHS	Packing		
-------	------------------	-----------------	------	---------	--	--

<b>B23097</b>	-	<b>PB</b>	<b>NI</b>	<b>R</b>	<b>BU</b>	
---------------	---	-----------	-----------	----------	-----------	--

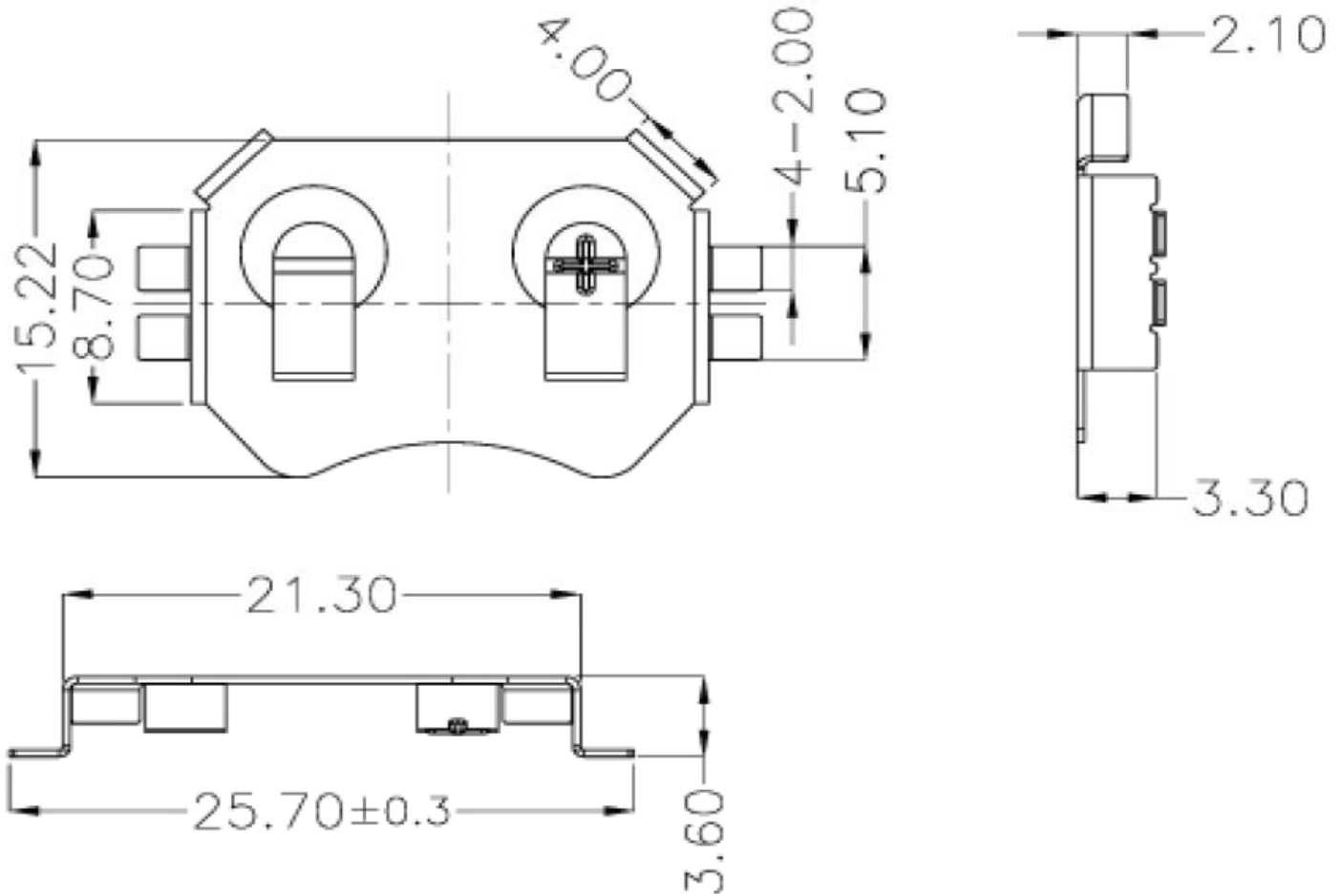
<b>PB=</b> Phosphor Bronze	<b>TN=</b> Tin plated	<b>N=</b> Non ROHS	<b>BU=</b> Bulk- Ware
		<b>R=</b> ROHS Conform	<b>TR=</b> Tape / Reel
	<b>NI=</b> Nickel plated		

<b>SMD Battery Coin Cell Holder 2032</b>	
Part No.:	<b>B23097</b>
Customer:	

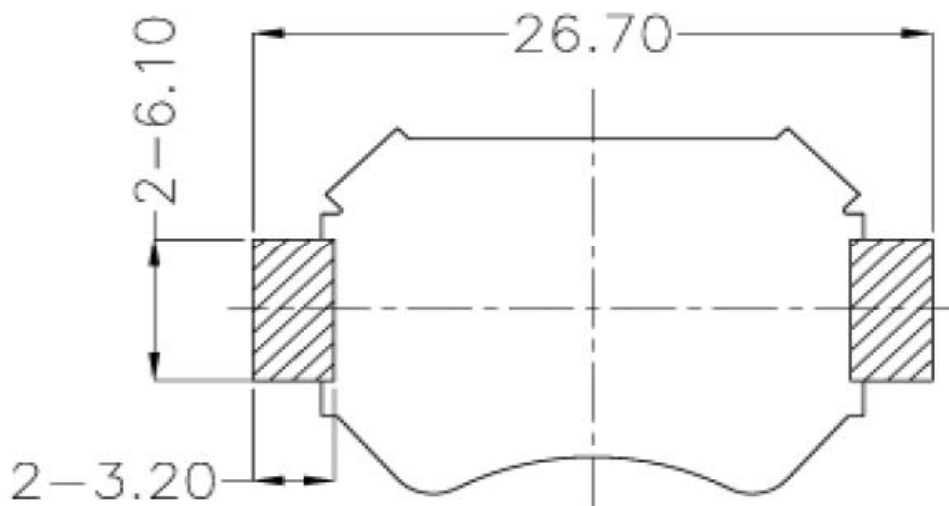
DRW:	Jason	CHKD	Jules	MATL:	Wu	DATE	12.05.2021
APPD:	Join			FINISH	Shieh	Sheet	1 from 3



**Technical Dimensions (inch / mm)**



**PCB Layout (inch / mm)**



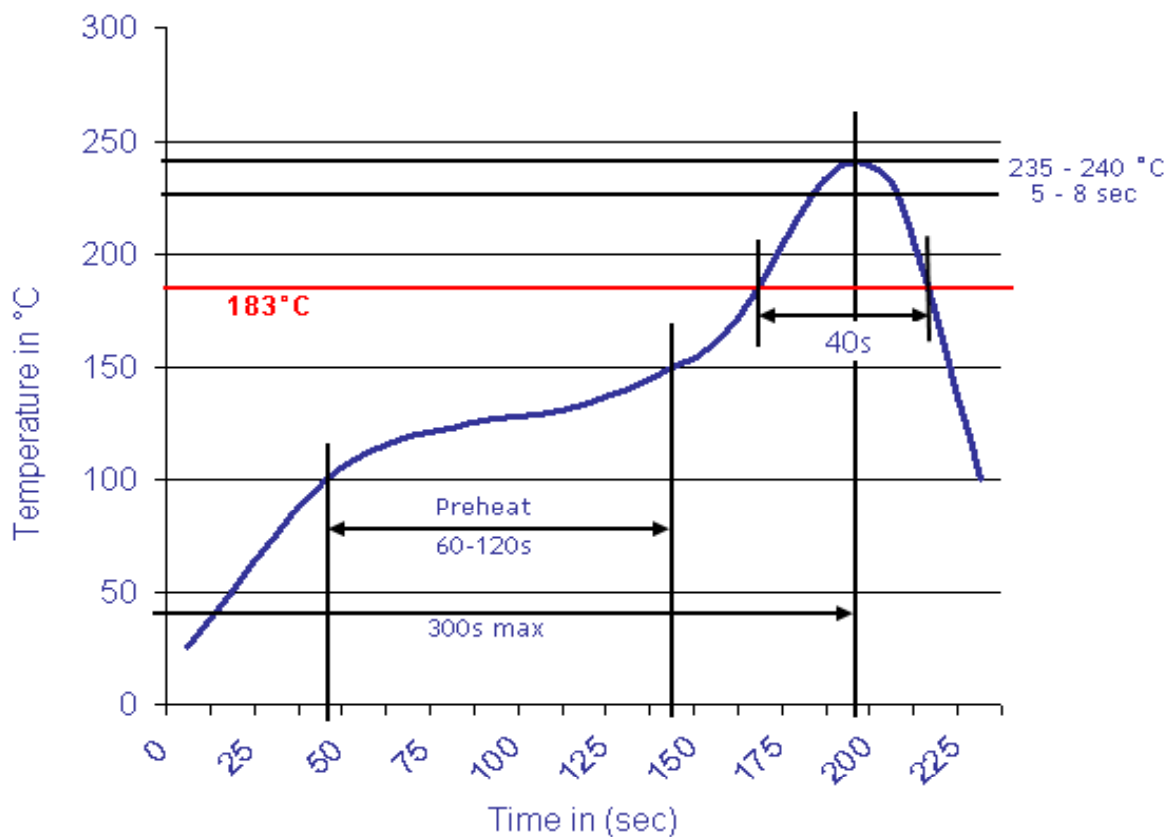
<b>SMD Battery Coin Cell Holder 2032</b>	
Part No.:	<b>B23097</b>
Customer:	
DRW:	Jason
CHKD:	CHKD
Jules	
MATL:	Wu
FINISH:	Shieh
DATE:	12.05.2021
Sheet:	2 from 3

DRW:	Jason	CHKD	Jules	MATL:	Wu	DATE:	12.05.2021
APPD:	Join			FINISH:	Shieh	Sheet:	2 from 3



**Soldering Profile Curve**

**Classification Reflow Profile (JEDEC J-STD-020C)**



<b>SMD Battery Coin Cell Holder 2032</b>	
Part No.:	<b>B23097</b>
Customer:	

DRW:	Jason	CHKD	Jules	MATL:	Wu	DATE	12.05.2021
APPD:	Join			FINISH	Shieh	Sheet	3 from 3