



Technical Specification

Insulator Material:	PBT
Contact Resistance:	30m Ohm max.
Insulator Resistance:	1000M Ohm max.
Temperature Rating:	-.55°C ~ 85°C
Contact Material:	Brass
Contact:	Tin Plated
Dielectric Voltage:	750VAC
Durability:	50 Cycles min.
Application for:	Coin Type
Battery Type:	2032

Ordering Information

Serie	Contact Material	Contact Plating	ROHS	Packing		
B23069	BR	NI	R	BU		

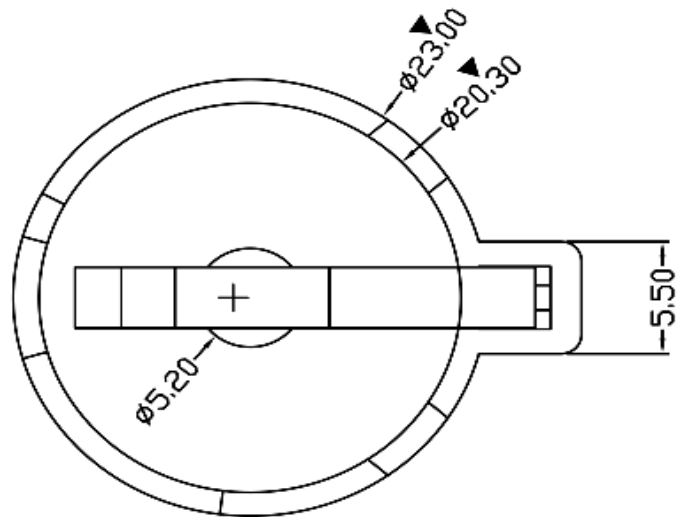
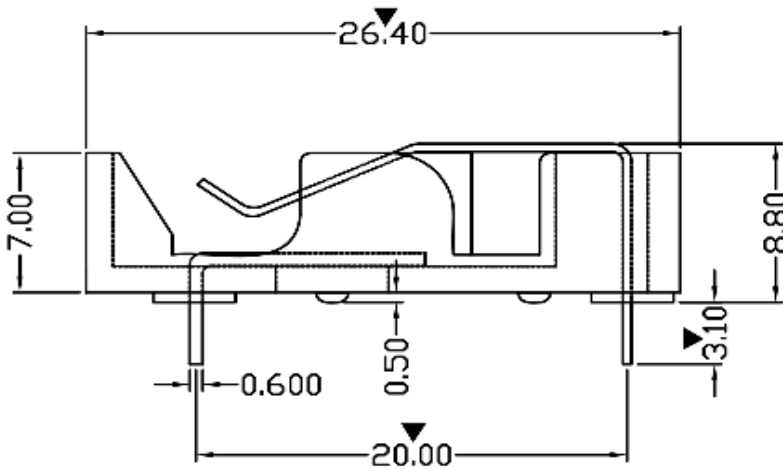
	TN= Tin plated	N= Non ROHS	BU= Bulk-Ware
		R= ROHS Conform	TY= Tray
BR= Brass			

Battery Coin Cell Holder	
Part No.:	B23069
Customer:	

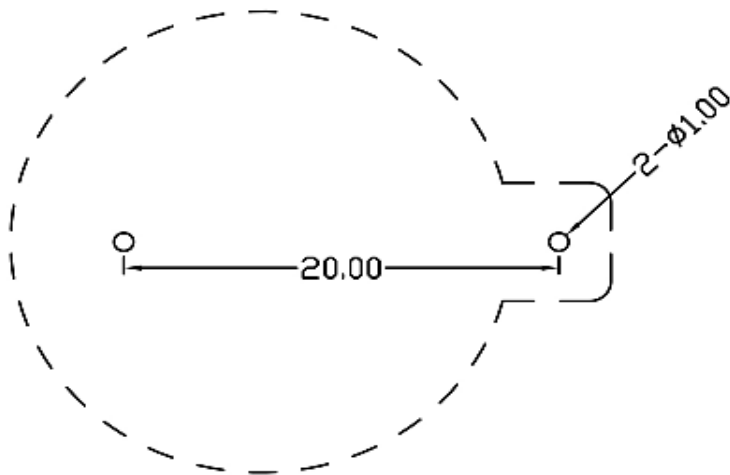
DRW:	Jason	CHKD	Jules	MATL:	Wu	DATE	01.11.2018
APPD:	Join			FINISH	Shieh	Sheet	1 from 3



Technical Dimensions



PCB Layout (mm)



Battery Coin Cell Holder

Part No.: **B23069**

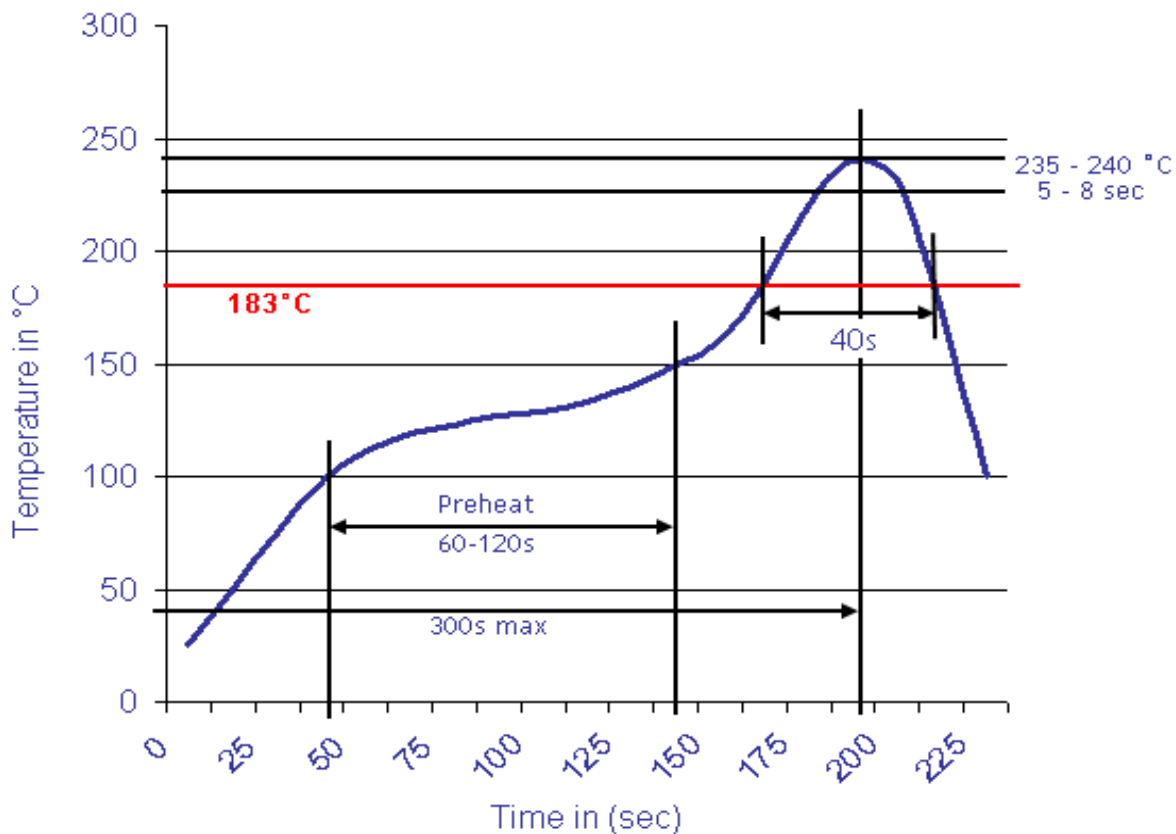
Customer:

DRW:	Jason	CHKD	Jules	MATL:	Wu	DATE	01.11.2018
APPD:	Join			FINISH	Shieh	Sheet	2 from 3



Soldering Profile Curve

Classification Reflow Profile (JEDEC J-STD-020C)



Battery Coin Cell Holder

Part No.: **B23069**

Customer:

DRW:	Jason	CHKD	Jules	MATL:	Wu	DATE	01.11.2018
APPD:	Join			FINISH	Shieh	Sheet	3 from 3