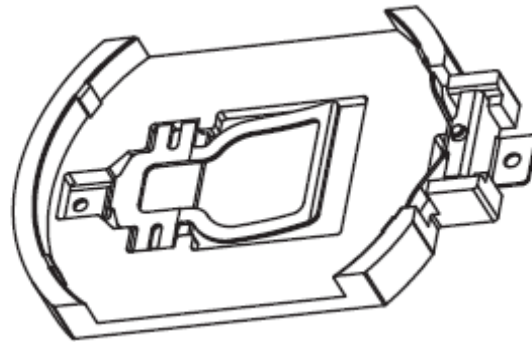




**Technical Specification**

Insulator Material: PPA  
 Contact Resistance: 30m Ohm max.  
 Insulator Resistance: 1000 M Ohm max.  
 Temperature Rating: -25°C ~ 85°C  
 Contact Material: Phosphor Bronze;  
 Contact: Gold Plated  
 Dielectric Voltage: 500VAC  
 Durability: 50 Cycles min.  
 Application for: Coin Type  
 Battery Type: 2016



**Ordering Information**

Serie	Contact Material	Contact Plating	ROHS	Packing		
-------	------------------	-----------------	------	---------	--	--

<b>B23059</b>	-	<b>PB</b>	<b>TN</b>	<b>R</b>	<b>BU</b>	
---------------	---	-----------	-----------	----------	-----------	--

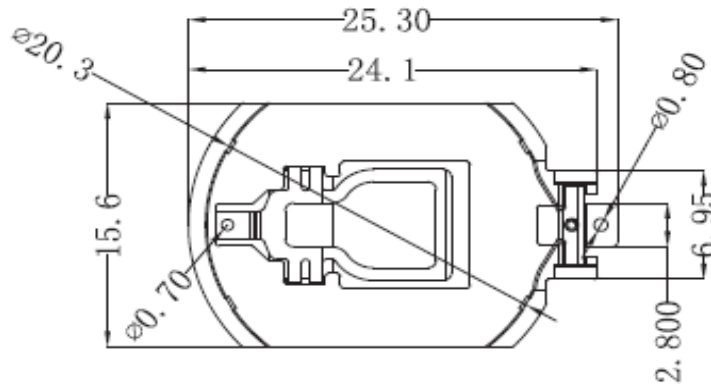
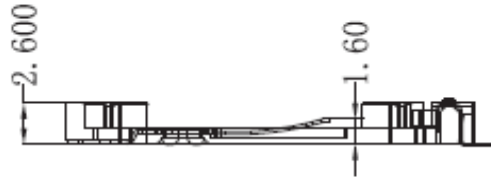
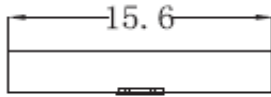
<b>PB=</b> Phosphor Bronze	<b>TN=</b> Tin plated	<b>N=</b> Non ROHS	<b>BU=</b> Bulk- Ware
	<b>GF=</b> Gold Flash	<b>R=</b> ROHS Conform	<b>TY=</b> Tray

<b>Battery Coin Cell Holder</b>	
Part No.:	<b>B23059</b>
Customer:	

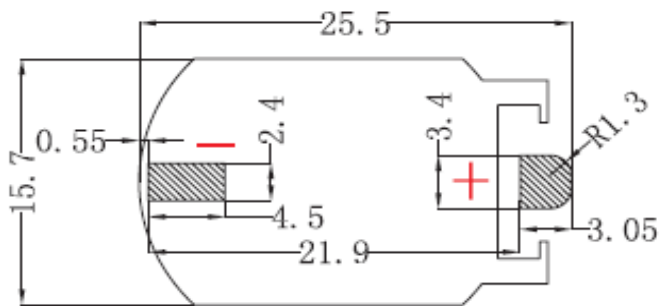
DRW:	Jason	CHKD	Jules	MATL:	Wu	DATE	01.11.2018
APPD:	Join			FINISH	Shieh	Sheet	1 from 3



**Technical Dimensions**



**PCB Layout (mm)**



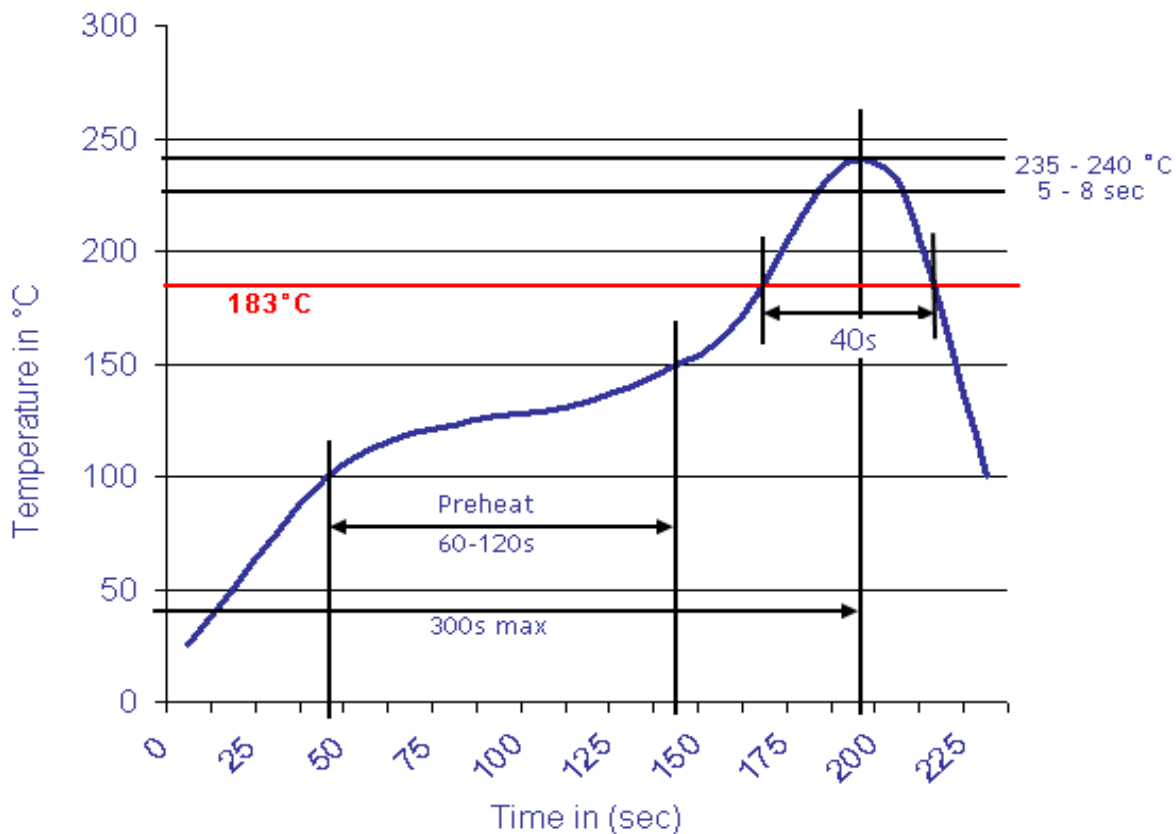
<b>Battery Coin Cell Holder</b>	
Part No.:	<b>B23059</b>
Customer:	

DRW:	Jason	CHKD	Jules	MATL:	Wu	DATE	01.11.2018
APPD:	Join			FINISH	Shieh	Sheet	2 from 3



**Soldering Profile Curve**

**Classification Reflow Profile (JEDEC J-STD-020C)**



<b>Battery Coin Cell Holder</b>	
Part No.:	<b>B23059</b>
Customer:	

DRW:	Jason	CHKD	Jules	MATL:	Wu	DATE	01.11.2018
APPD:	Join			FINISH	Shieh	Sheet	3 from 3