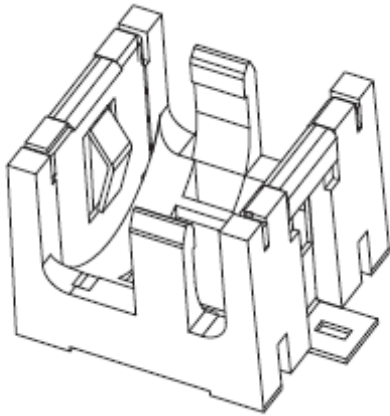




### Technical Specification

Insulator Material:	PPA
Contact Resistance:	30m Ohm max.
Insulator Resistance:	1000 M Ohm max.
Temperature Rating:	-.25°C ~ 85°C
Contact Material:	Phosphor Bronze;
Contact:	Gold Plated 1μ"
Dielectric Voltage:	500VAC
Durability:	50 Cycles min.
Application for:	Coin Type
Battery Type:	AG13



### Ordering Information

Serie	Contact Material	Contact Plating	ROHS	Packing		
-------	------------------	-----------------	------	---------	--	--

<b>B23058</b>	-	<b>PB</b>	<b>TN</b>	<b>R</b>	<b>BU</b>	
---------------	---	-----------	-----------	----------	-----------	--

<b>PB=</b> Phosphor Bronze	<b>TN=</b> Tin plated	<b>N=</b> Non ROHS	<b>BU=</b> Bulk- Ware
	<b>GF=</b> Gold Flash	<b>R=</b> ROHS Conform	<b>TY=</b> Tray

### Battery Coin Cell Holder

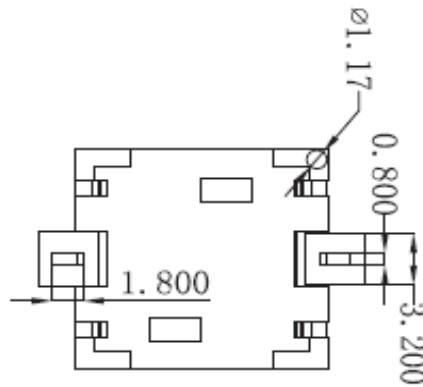
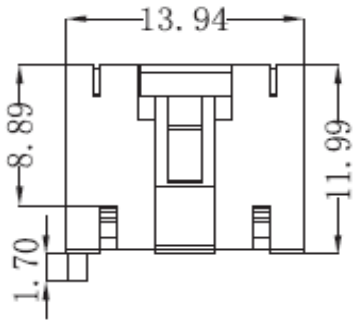
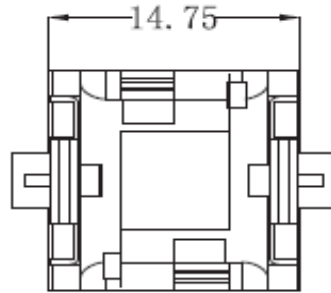
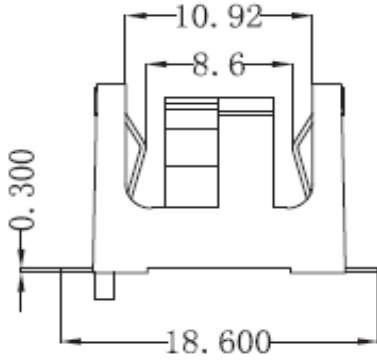
Part No.: **B23058**

Customer:

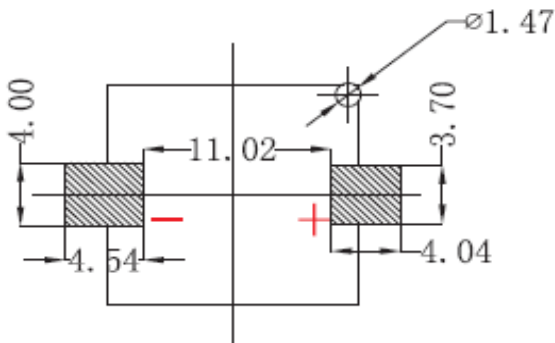
DRW:	Jason	CHKD	Jules	MATL:	Wu	DATE	01.11.2018
APPD:	Join			FINISH	Shieh	Sheet	1 from 3



**Technical Dimensions**



**PCB Layout (mm)**



**Battery Coin Cell Holder**

Part No.: **B23058**

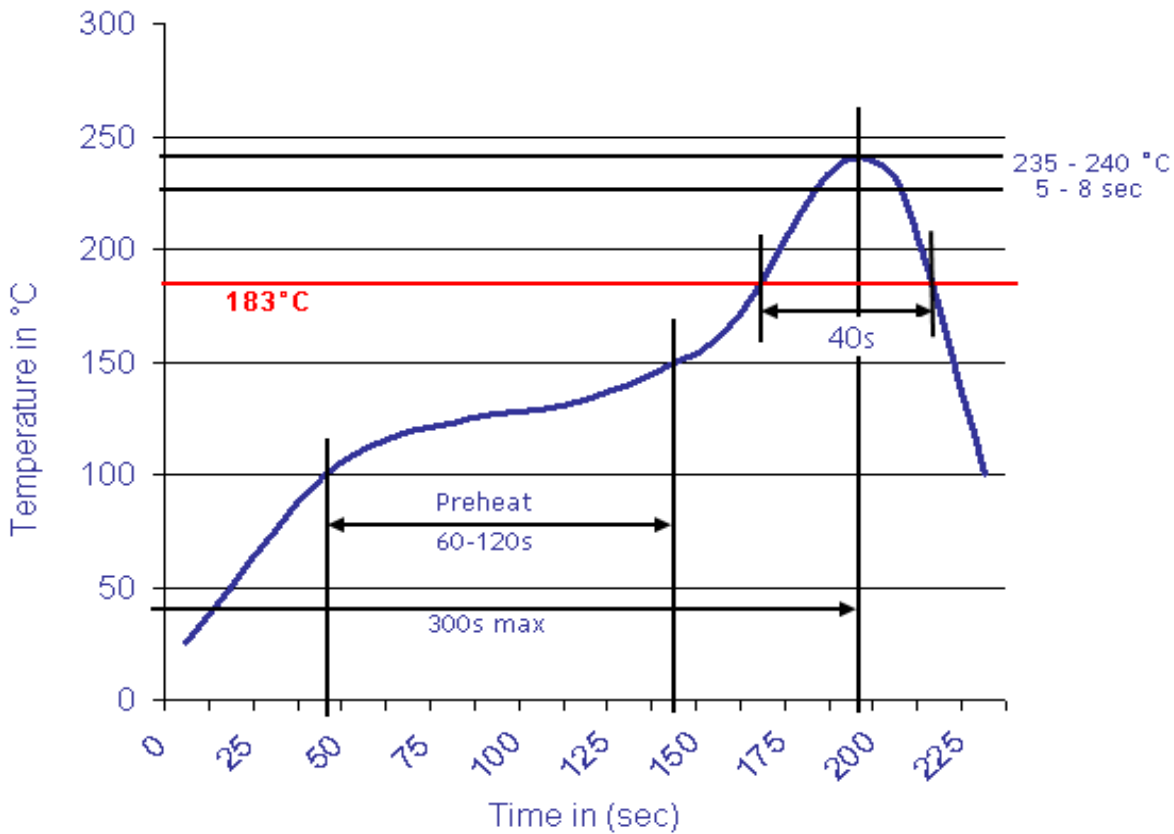
Customer:

DRW:	Jason	CHKD	Jules	MATL:	Wu	DATE	01.11.2018
APPD:	Join			FINISH	Shieh	Sheet	2 from 3



**Soldering Profile Curve**

**Classification Reflow Profile (JEDEC J-STD-020C)**



**Battery Coin Cell Holder**

Part No.: **B23058**

Customer:

DRW:	Jason	CHKD	Jules	MATL:	Wu	DATE	01.11.2018
APPD:	Join			FINISH	Shieh	Sheet	3 from 3