



Technical Specification

Insulator Material:	LCP
Contact Resistance:	30m Ohm max.
Insulator Resistance:	100 M Ohm max.
Temperature Rating:	.-25°C ~ 85°C
Contact Material:	Phosphor Bronze;
Contact:	Tin Plated over Nickel
Dielectric Voltage:	500VAC
Durability:	50 Cycles min.
Application for:	Lithium Coin Type
Battery Type:	1632

Ordering Information

Serie	Contact Material	Contact Plating	ROHS	Packing		
-------	------------------	-----------------	------	---------	--	--

B23056	-	PB	TN	R	BU	
---------------	---	-----------	-----------	----------	-----------	--

PB= Phosphor Bronze	TN= Tin plated	N= Non ROHS	BU= Bulk- Ware
	GF= Gold Flash	R= ROHS Conform	TY= Tray

Battery Coin Cell Holder

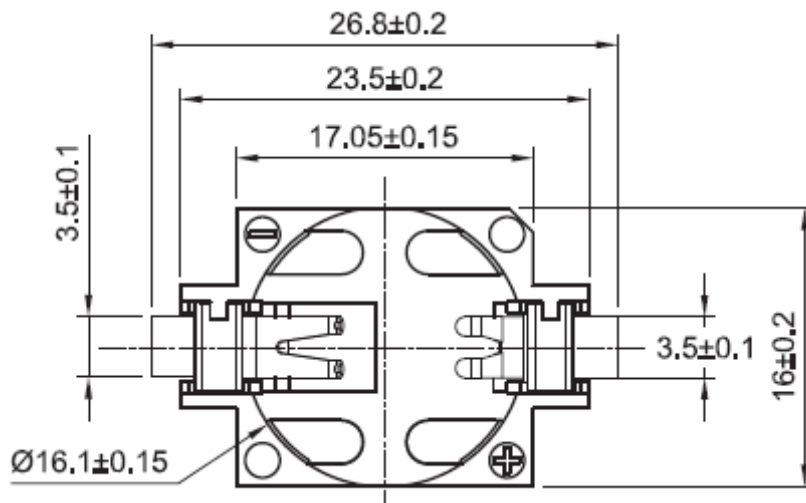
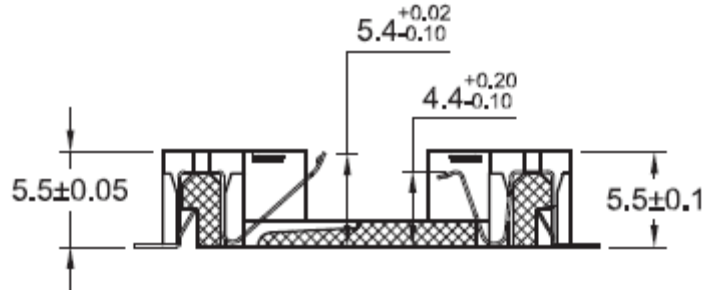
Part No.: **B23056**

Customer:

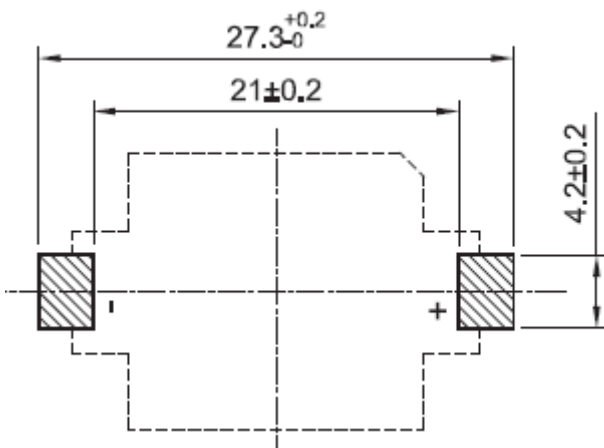
DRW:	Jason	CHKD	Jules	MATL:	Wu	DATE	01.11.2018
APPD:	Join			FINISH	Shieh	Sheet	1 from 3



Technical Dimensions



PCB Layout (mm)



Battery Coin Cell Holder

Part No.: **B23056**

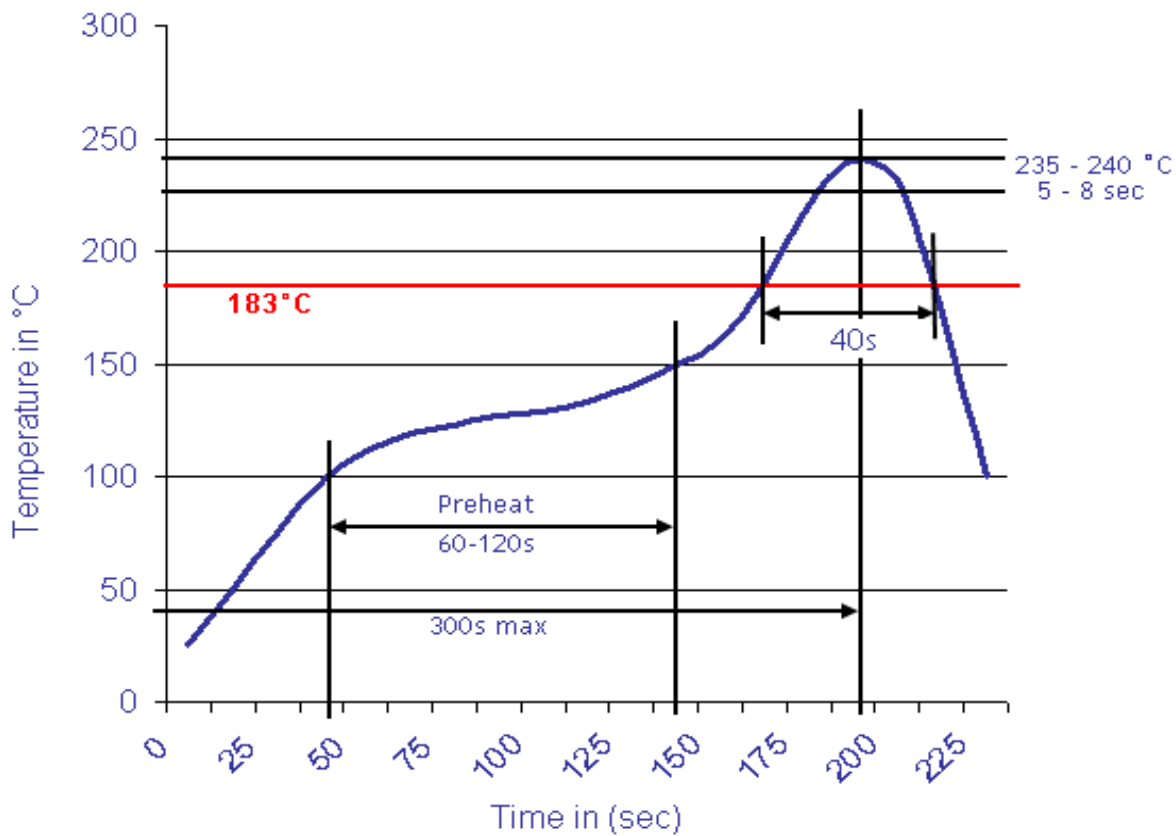
Customer:

DRW:	Jason	CHKD	Jules	MATL:	Wu	DATE	01.11.2018
APPD:	Join			FINISH	Shieh	Sheet	2 from 3



Soldering Profile Curve

Classification Reflow Profile (JEDEC J-STD-020C)



Battery Coin Cell Holder	
Part No.:	B23056
Customer:	

DRW:	Jason	CHKD	Jules	MATL:	Wu	DATE	01.11.2018
APPD:	Join			FINISH	Shieh	Sheet	3 from 3