



Technical Specification

Insulator Material: Nylon 66 + GF UL94V-0
 Contact Resistance: 30m Ohm max.
 Insulator Resistance: 1000 M Ohm max.
 Temperature Rating: -55°C ~ 105°C
 Contact Material: Phosphor Bronze
 Contact: Tin Plated over Nickel
 Durability: 50 Cycles min.
 Application for: Lithium Coin Type
 Battery Dimension: D= 19,80mm / T=3,2mm

Ordering Information

Serie	Contact Material	Contact Plating	ROHS	Packing		
-------	------------------	-----------------	------	---------	--	--

B23044	PB	TN	R	BU		
---------------	-----------	-----------	----------	-----------	--	--

PB= Phosphor Bronze	TN= Tin plated GF= Gold Flash	N= Non ROHS R= ROHS Conform	BU= Bulk- Ware TY= Tray
----------------------------------	--	---	---

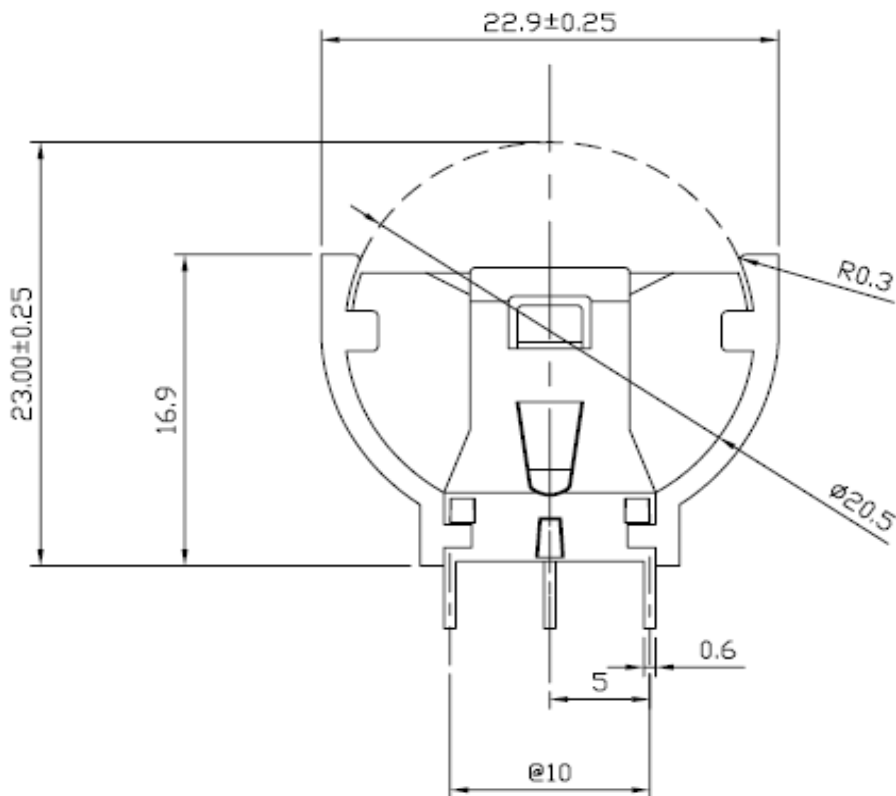
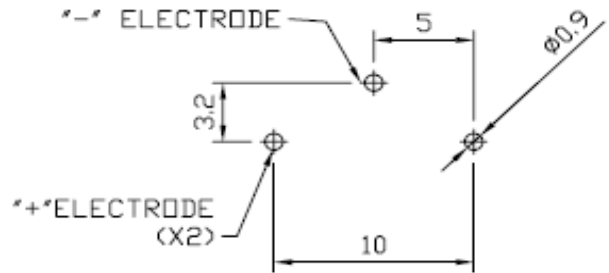
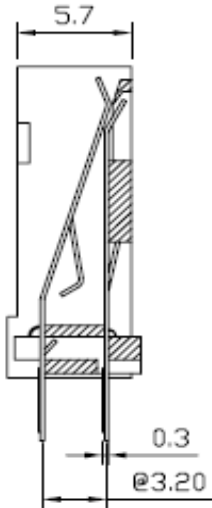
Battery Coin Cell Holder	
Part No.:	B23044
Customer:	

DRW:	Jason	CHKD	Jules	MATL:	Wu	DATE	12.03.2011
APPD:	Join			FINISH	Shieh	Sheet	1 from 3



Technical Dimensions

PCB Layout



Battery Coin Cell Holder	
Part No.:	B23044
Customer:	

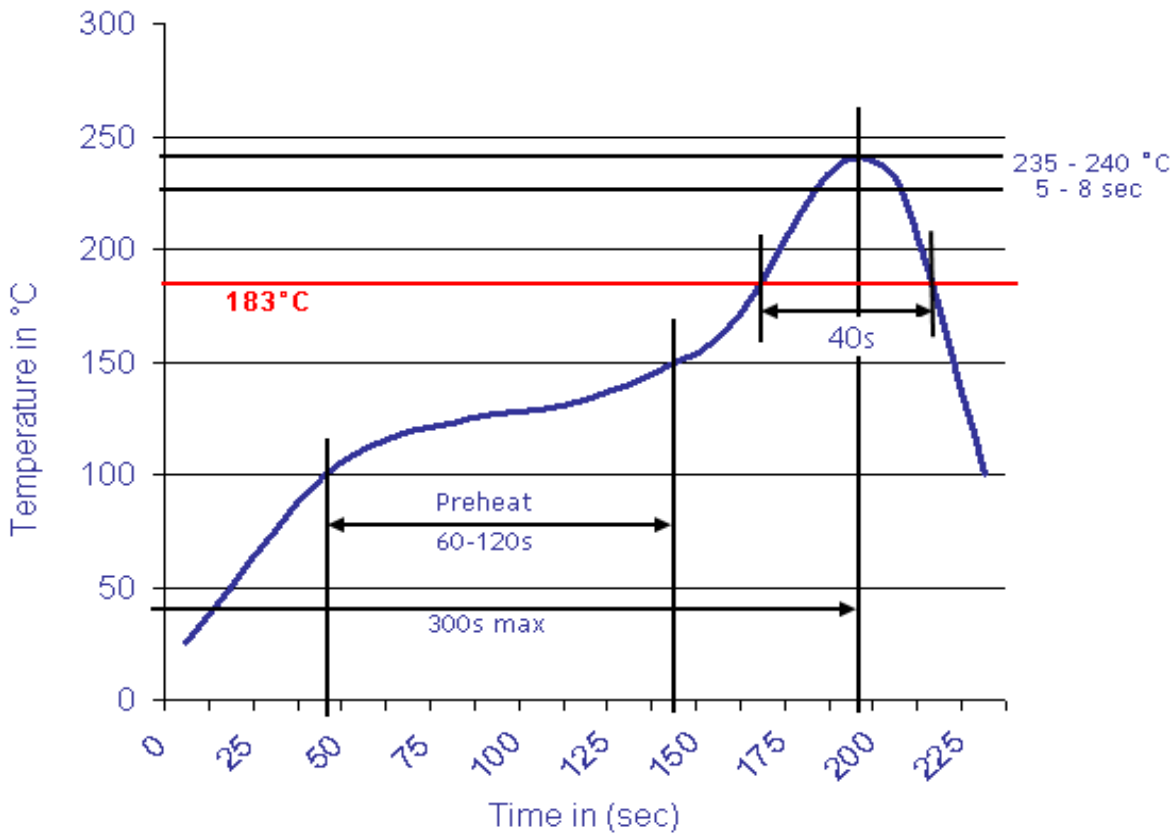
DRW:	Jason	CHKD	Jules	MATL:	Wu	DATE	12.03.2011
APPD:	Join			FINISH	Shieh	Sheet	2 from 3



Technical Dimensions

Soldering Profile Curve

Classification Reflow Profile (JEDEC J-STD-020C)



Battery Coin Cell Holder

Part No.: **B23044**

Customer:

DRW:	Jason	CHKD	Jules	MATL:	Wu	DATE	12.03.2011
APPD:	Join			FINISH	Shieh	Sheet	3 from 3