



Technical Specification

Insulator Material: Nylon 66 + GF UL94V-0
 Contact Resistance: 30m Ohm max.
 Insulator Resistance: 1000 M Ohm max.
 Temperature Rating: -55°C ~ 105°C
 Contact Material: Phosphor Bronze
 Contact: Tin Plated over Nickel
 Durability: 50 Cycles min.
 Application for: Lithium Coin Type
 Battery Type: 2032

Ordering Information

Serie	Contact Material	Contact Plating	ROHS	Packing		
-------	------------------	-----------------	------	---------	--	--

B23043	-	PB	TN	R	BU	
---------------	---	-----------	-----------	----------	-----------	--

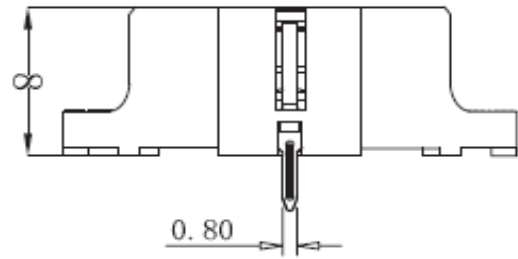
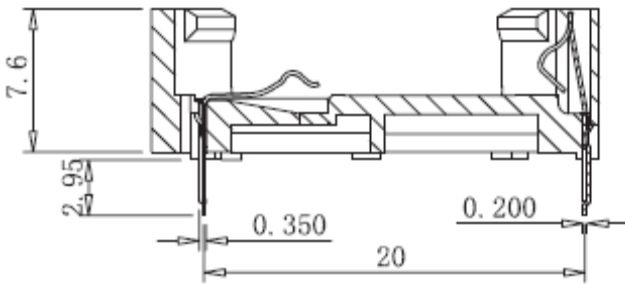
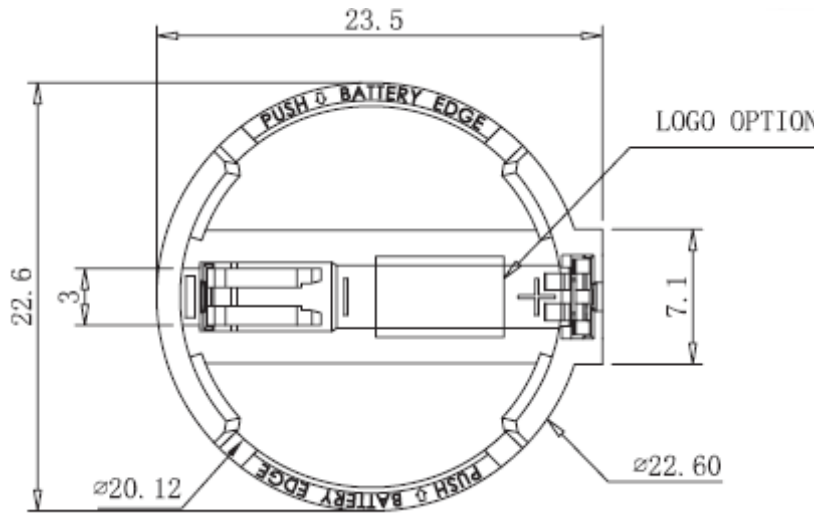
PB= Phosphor Bronze	TN= Tin plated	N= Non ROHS	BU= Bulk- Ware
	GF= Gold Flash	R= ROHS Conform	TY= Tray

Battery Coin Cell Holder	
Part No.:	B23043
Customer:	
DRW:	Jason
APPD:	Join
CHKD:	CHKD
Jules	
MATL:	Wu
FINISH:	Shieh
DATE:	01.11.2018
Sheet:	1 from 3

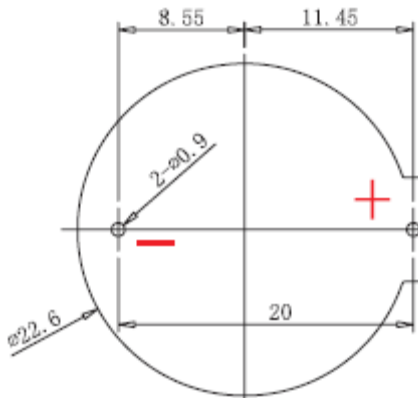
DRW:	Jason	CHKD:	CHKD	Jules	MATL:	Wu	DATE:	01.11.2018
APPD:	Join				FINISH:	Shieh	Sheet:	1 from 3



Technical Dimensions



PCB Layout (mm)



Battery Coin Cell Holder

Part No.: **B23043**

Customer:

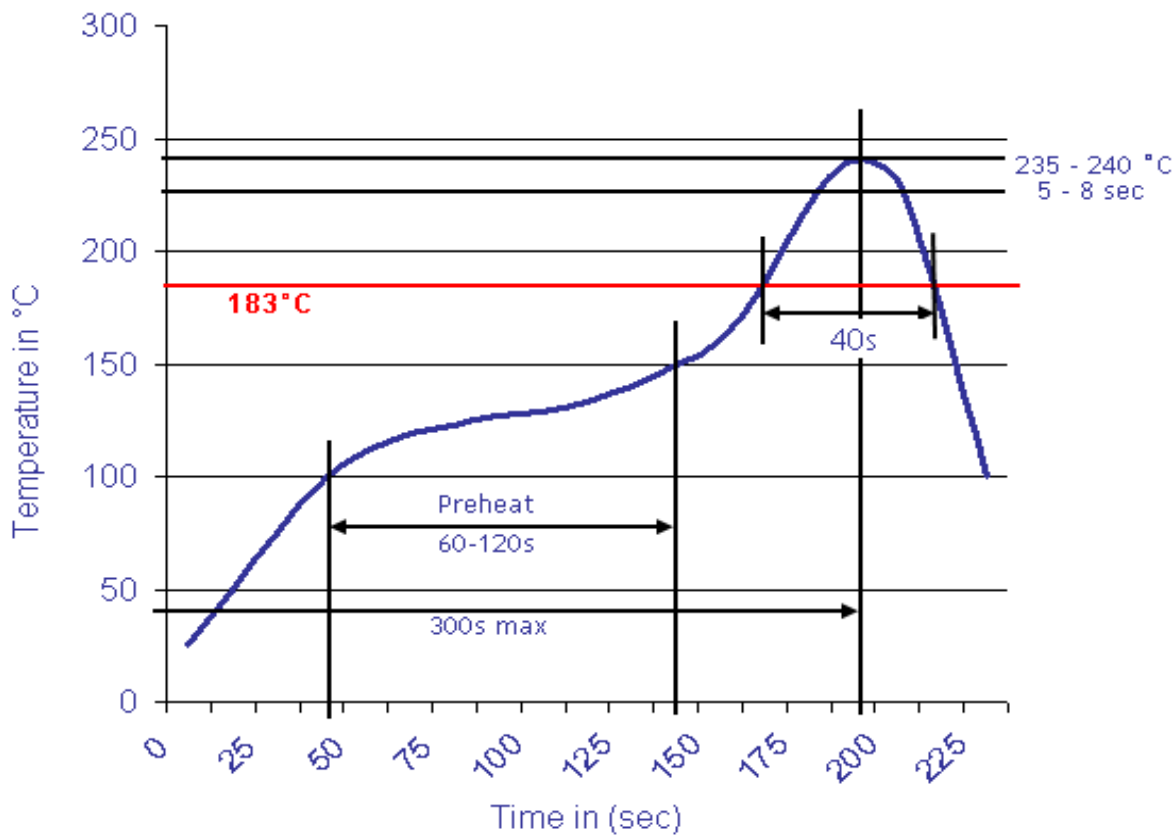
DRW:	Jason	CHKD	Jules	MATL:	Wu	DATE	01.11.2018
APPD:	Join			FINISH	Shieh	Sheet	2 from 3



Technical Dimensions

Soldering Profile Curve

Classification Reflow Profile (JEDEC J-STD-020C)



Battery Coin Cell Holder

Part No.: **B23043**

Customer:

DRW:	Jason	CHKD	Jules	MATL:	Wu	DATE	01.11.2018
APPD:	Join			FINISH	Shieh	Sheet	3 from 3