

Technical Specification

Insulator Material:	PBT + 30% GF UL94V-0
Contact Resistance:	30m Ohm max.
Insulator Resistance:	5000 M Ohm max.
Temperature Rating:	.-55°C ~ 105°C
Contact Material:	Phosphor Bronze
Contact:	Tin Plated / Nickel Plated
Durability:	50 Cycles min.
Application for:	Lithium Coin Type
Battery Dimension:	D= 19,80mm / T=3,2mm

Ordering Information

Serie	Contact Material	Contact Plating	ROHS	Packing		
-------	------------------	-----------------	------	---------	--	--

B23036	PB	TN	R	BU		
---------------	-----------	-----------	----------	-----------	--	--

PB= Phosphor Bronze	TN= Tin plated	N= Non ROHS	BU= Bulk- Ware
	NI= Nickel plated	R= ROHS Conform	TY= Tray

Battery Coin Cell Holder

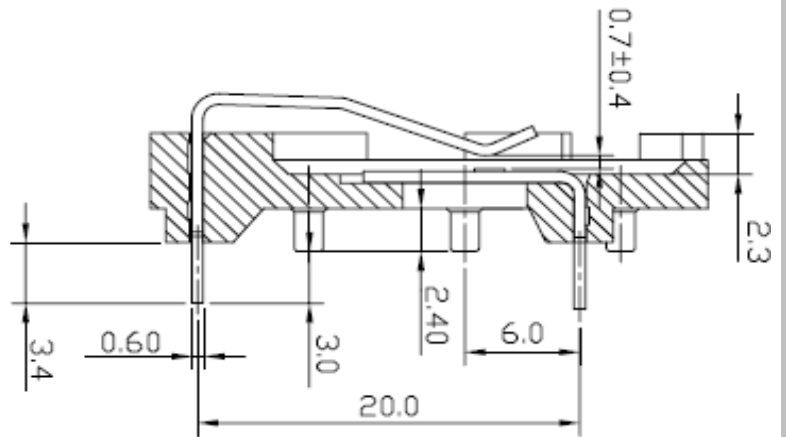
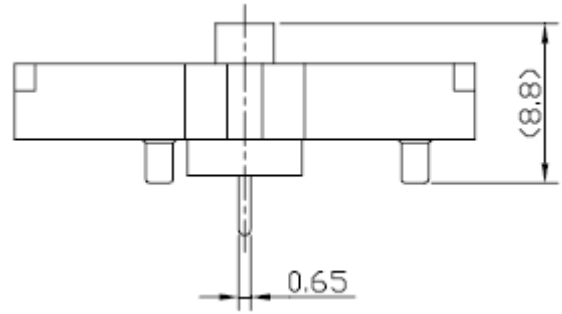
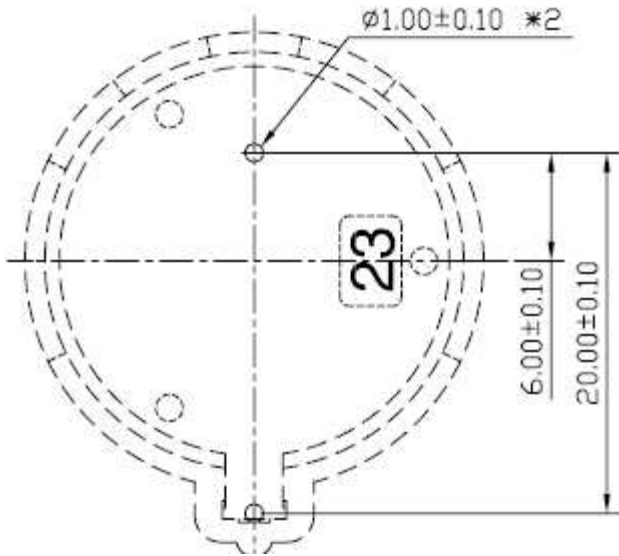
Part No.: **B23036**

Customer:

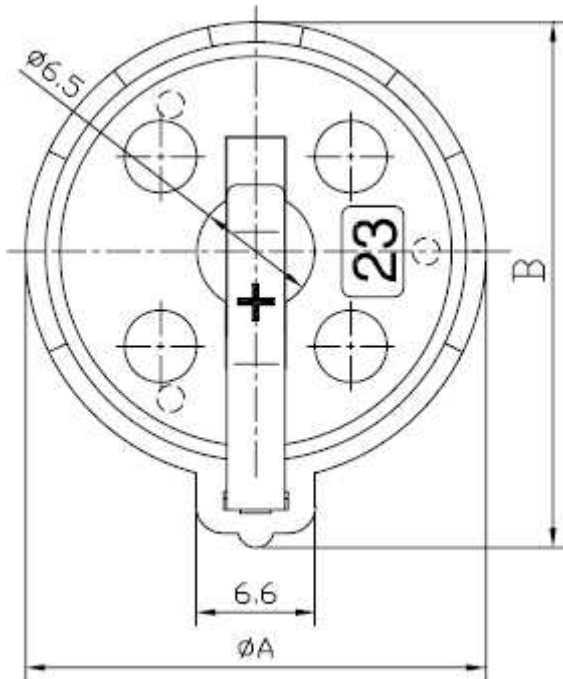
DRW:	Jason	CHKD	Jules	MATL:	Wu	DATE	03.04.2009
APPD:	Join			FINISH	Shieh	Sheet	1 from 3



Technical Dimensions



A= 25,4mm
 B= 29,0mm



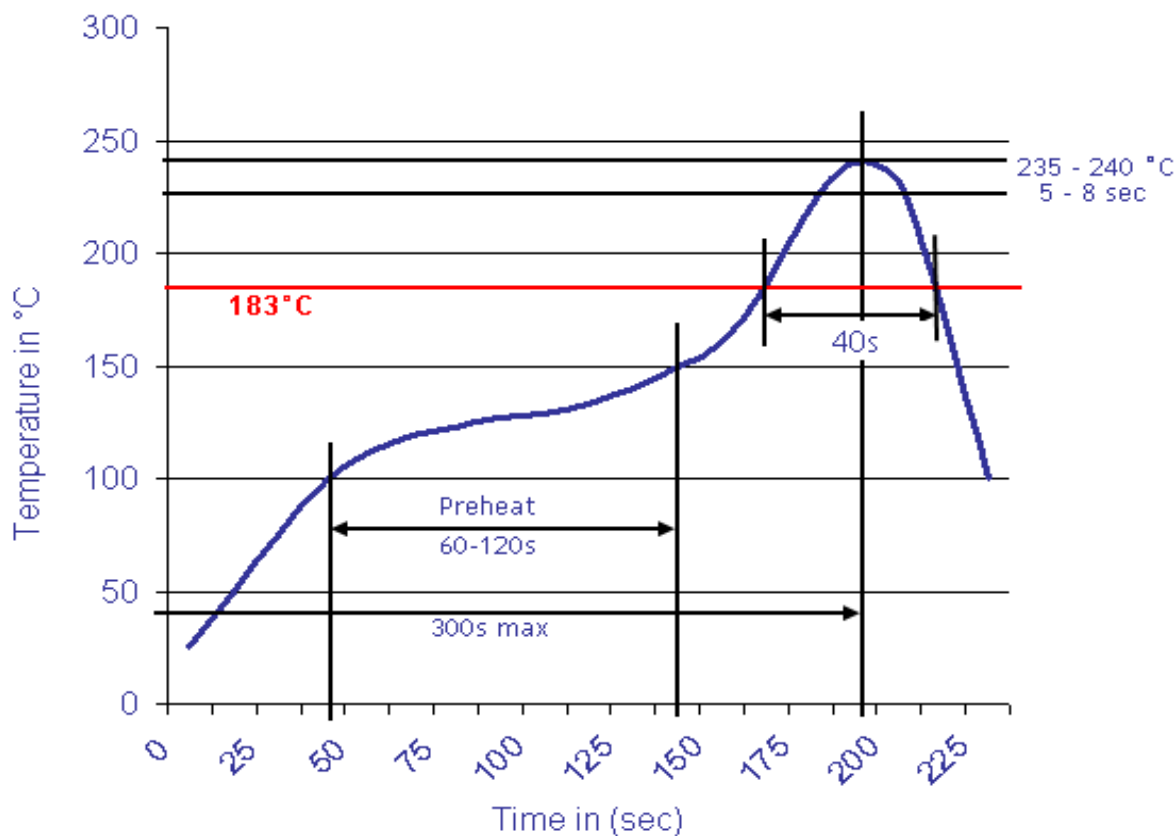
Battery Coin Cell Holder	
Part No.:	B23036
Customer:	

DRW:	Jason	CHKD	Jules	MATL:	Wu	DATE	03.04.2009
APPD:	Join			FINISH	Shieh	Sheet	2 from 3



Soldering Profile Curve

Classification Reflow Profile (JEDEC J-STD-020C)



Battery Coin Cell Holder	
Part No.:	B23036
Customer:	

DRW:	Jason	CHKD	Jules	MATL:	Wu	DATE	03.04.2009
APPD:	Join			FINISH	Shieh	Sheet	3 from 3