



Technical Specification

Insulator Material: PBT + 30% GF UL94V-0
 Contact Resistance: 30m Ohm max.
 Insulator Resistance: 1000 M Ohm max.
 Temperature Rating: -25°C ~ 85°C
 Contact Material: Phosphor Bronze
 Contact: Tin Plated
 Dielectric Voltage: 500VAC
 Durability: 50 Cycles min.
 Application for: Coin Type
 Battery Dimension: 1220

Ordering Information

Serie	Contact Material	Contact Plating	ROHS	Packing		
-------	------------------	-----------------	------	---------	--	--

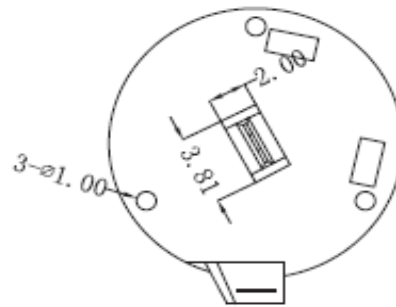
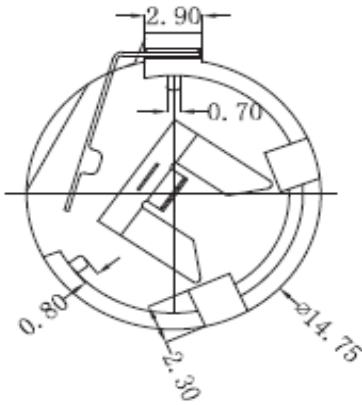
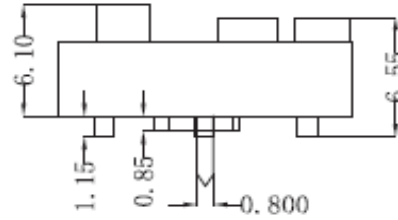
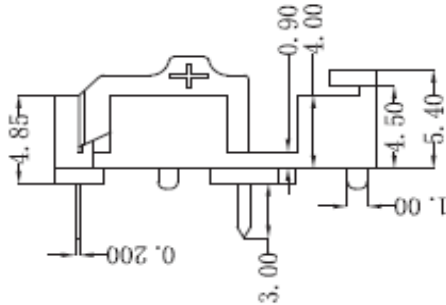
B23031	-	PB	TN	R	BU	
---------------	---	-----------	-----------	----------	-----------	--

PB= Phosphor Bronze	TN= Tin plated	N= Non ROHS	BU= Bulk- Ware
	NI= Nickel plated	R= ROHS Conform	TY= Tray

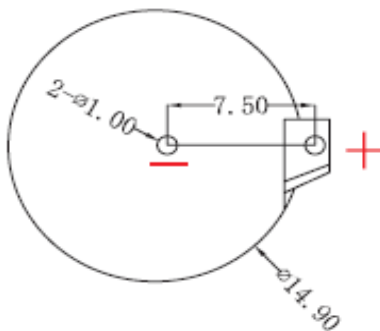
Battery Coin Cell Holder							
Part No.:	B23031						
Customer:							
DRW:	Jason	CHKD	Jules	MATL:	Wu	DATE	01.11.2018
APPD:	Join			FINISH	Shieh	Sheet	1 from 3



Technical Dimensions



PCB Layout



Battery Coin Cell Holder

Part No.: **B23031**

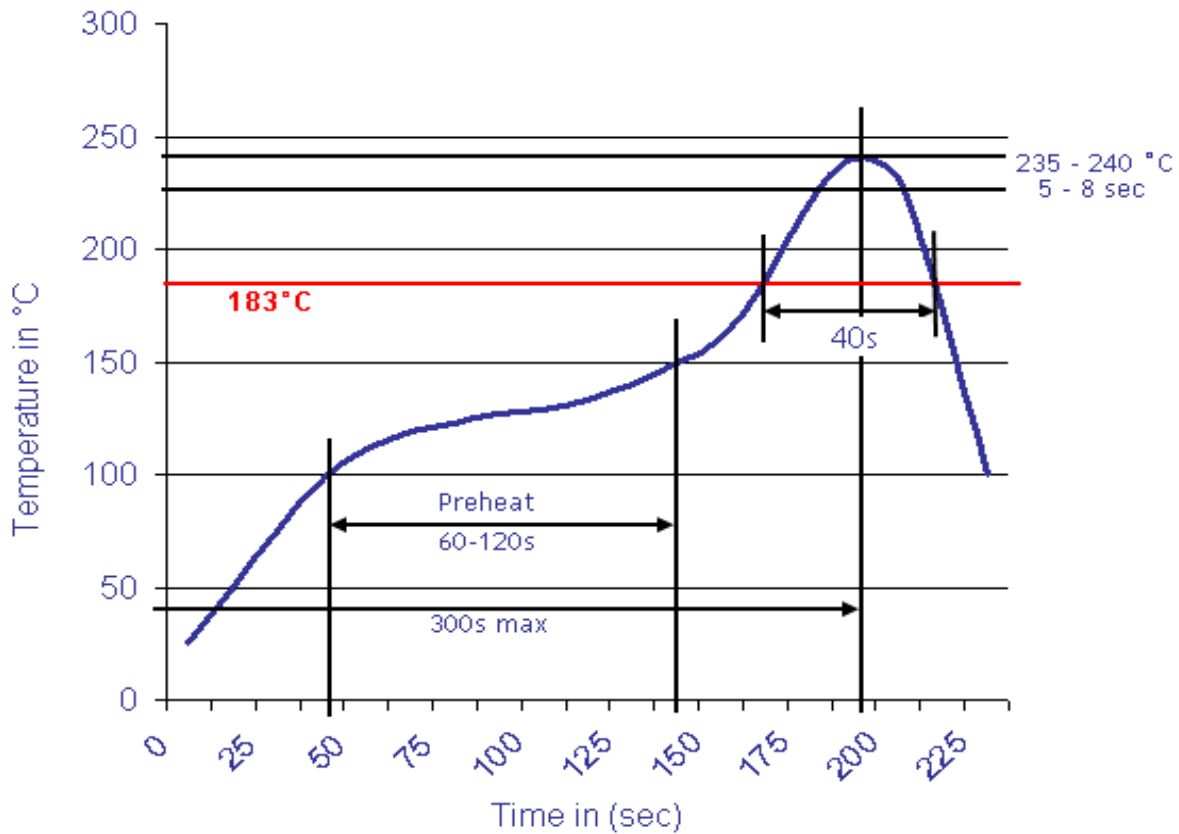
Customer:

DRW:	Jason	CHKD	Jules	MATL:	Wu	DATE	01.11.2018
APPD:	Join			FINISH	Shieh	Sheet	2 from 3



Soldering Profile Curve

Classification Reflow Profile (JEDEC J-STD-020C)



Battery Coin Cell Holder

Part No.: **B23031**

Customer:

DRW:	Jason	CHKD	Jules	MATL:	Wu	DATE	01.11.2018
APPD:	Join			FINISH	Shieh	Sheet	3 from 3